



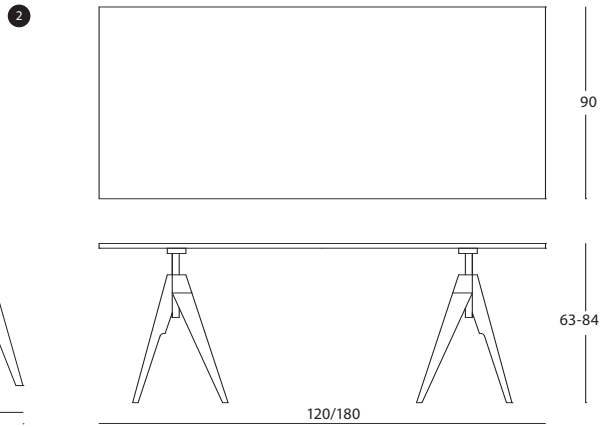
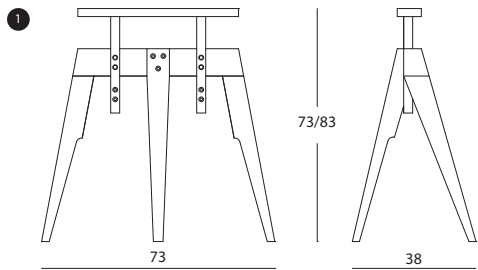
## Compass Matthew Hilton

A study in elegance and balance, these trestles are made from steamed solid beech. Each trestle is designed with practicality and stability in mind. The Compass collection is notable for finely drawn details and tapered legs that ascend into a mid-leg curve. It was awarded the Design Guild Mark by the Worshipful Company of Furniture Makers in 2010.

Available in natural or black finish, with a glass or laminate top.

Made in the EU.





---

# Compass

## Matthew Hilton

- 1 Trestles
- 2 Table