



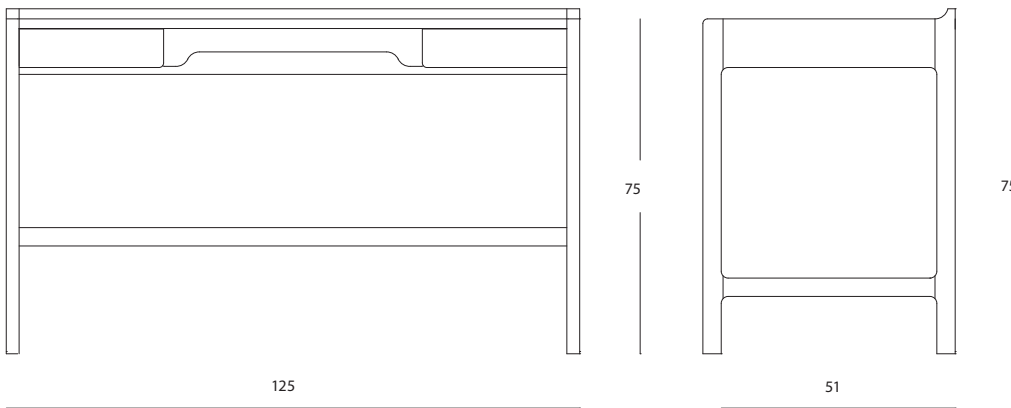
Cedric Kay+Stemmer

Simplicity, refinement and deft detailing mark out this design for special attention. Described as “a flawless mix of traditional and modern” by the British Design Awards 2009, this piece is beautifully finished and transcends its era. It has brown or orange leather top and lined drawers. The Cedric is made from solid European walnut and features a deep brown leather top and lined drawers. This is one for the purists.

Made in the EU.



16



Cedric
Kay+Stemmer

1 Desk