

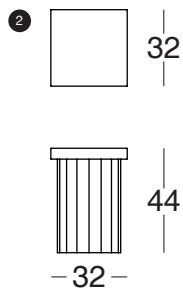
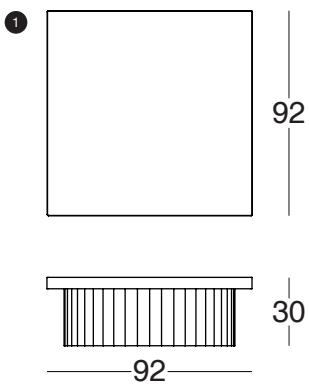


Barrel Philippe Malouin

Awarded the Design Guildmark 2019, Barrel is a collection of seating and table designs that are simple, rational and sturdy, with something of a brutalist aesthetic. Each piece is informed by the possibilities of manufacturing with a single length of pre-sawn timber.

Each piece makes use of a single cut of pre-sawn timber to create both the top and base. The solid top is made by laminating standard lengths of American white oak, while the same batons are sliced in half and tessellated in a circular pattern to create the base. American white oak is used to create a hard-wearing product that can be resurfaced and repaired over time.





Barrel

Philippe Malouin

- 1 Coffee table
- 2 Stool / side table