

mimSAFE

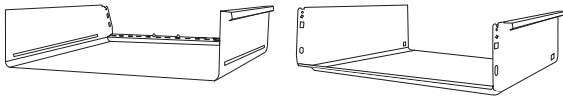
www.mimsafe.se



ASSEMBLY INSTRUCTIONS

VARIOCAGE

double

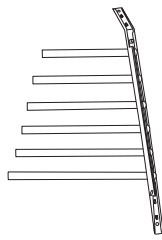
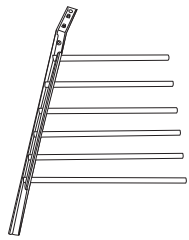
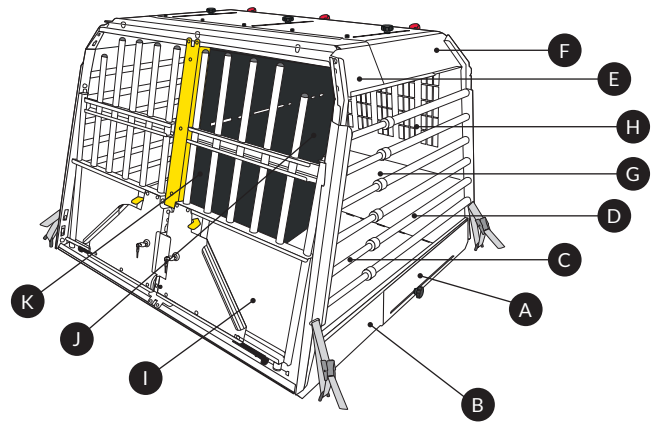


A Floor Rear

B Floor Front

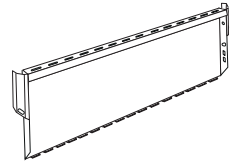
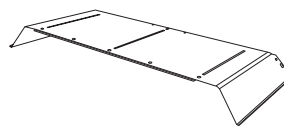
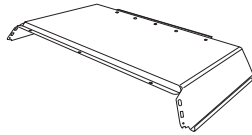
00377		1X
00383		
00361		
00362		
00364		
00365		
00382		
00369		
Product no	No of items	

00377		1X
00383		
00361		
00362		
00364		
00365		
00382		
00369		
Product no	No of items	



Sidebar **C**

Sidebar **D**



Roof Front **E**

Roof Rear **F**

Lower Panel **G**

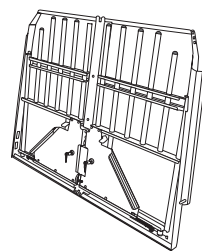
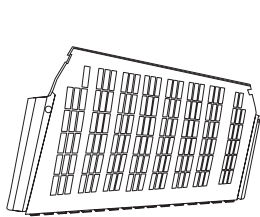
00377	X4	2X
00383	X5	
00361	X5	
00362	X6	
00364	X6	
00365	X6	
00382	X7	
00369	X8	
Product no	Pipes	No of items

00377	X4	2X
00383	X5	
00361	X5	
00362	X6	
00364	X6	
00365	X6	
00382	X7	
00369	X8	
Product no	Pipes	No of items

00377		1X
00383		
00361		
00362		
00364		
00365		
00382		
00369		
Product no	No of items	

00377		1X
00383		
00361		
00362		
00364		
00365		
00382		
00369		
Product no	No of items	

00377		1X
00383		
00361		
00362		
00364		
00365		
00382		
00369		
Product no	No of items	



Escape Hatch **H**

Door Section **I**

Divider Rear **J**

Divider Front **K**

00377		1X
00383		
00361		
00362		
00364		
00365		
00382		
00369		
Product no	No of items	

00377		1X
00383		
00361		
00362		
00364		
00365		
00382		
00369		
Product no	No of items	

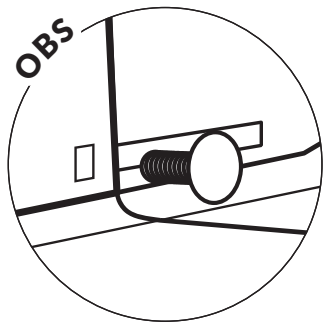
00377		1X
00383		
00361		
00362		
00364		
00365		
00382		
00369		
Product no	No of items	




00377		1X
00383		
00361		
00362		
00364		
00365		
00382		
00369		
Product no	No of items	

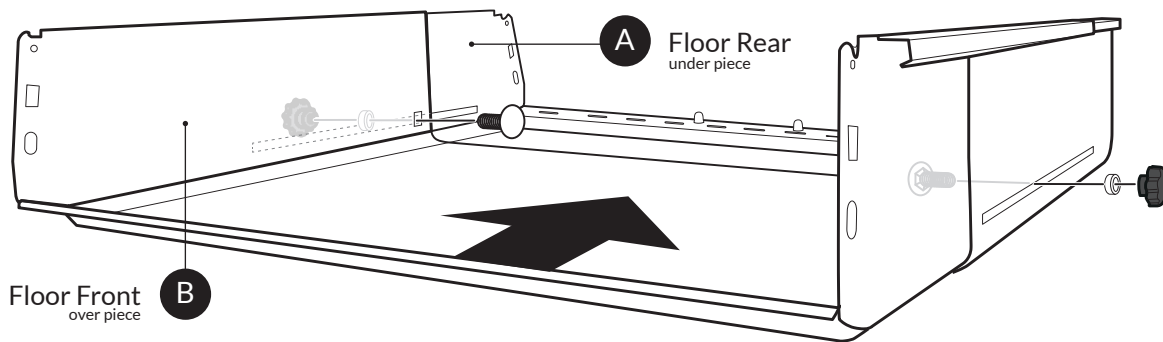
ASSEMBLY KIT IS DIMENSIONED FOR THE LARGEST CAGE, FOR SMALLER CAGES YOU HAVE MORE PARTS THAN YOU NEED

<p>M-460641D 18X</p> <p>rubber</p>	<p>M-SM6X14IA 24X</p>	<p>M-SM6X12 2X</p>	<p>M-460641AQ 3X</p> <p>red</p>	<p>ALLEN KEY 4 1X</p>	<p>M-B251,56,5SLD 4X</p> <p>Ø25mm</p>	<p>M-460641AY</p> <p>00377 8X 00383 10X 00361 10X 00362 12X 00364 12X 00365 12X 00382 14X 00369 16X</p> <p>rubber end caps</p>	<p>M-460641BA</p> <p>00377 8X 00383 10X 00361 10X 00362 12X 00364 12X 00365 12X 00382 14X 00369 16X</p> <p>plastic end caps</p>
<p>M-R3015M5S 6X</p>	<p>M-B13265SLD 6X</p> <p>Ø13mm</p> <p>plastic</p>	<p>M-VBM5X16 6X</p>	<p>M-10240 4X</p>		<p>M-BR6X19X15 4X</p> <p>Ø19mm</p>		

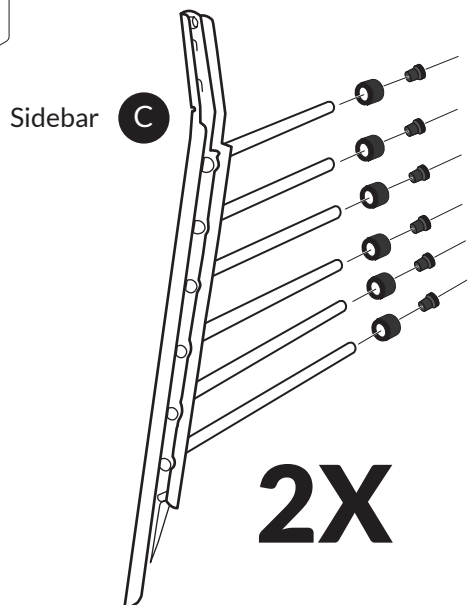
STEP
1



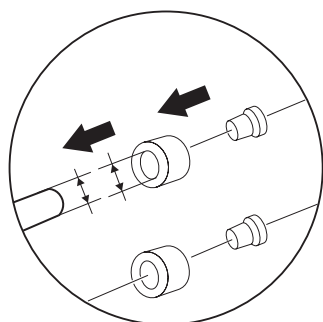
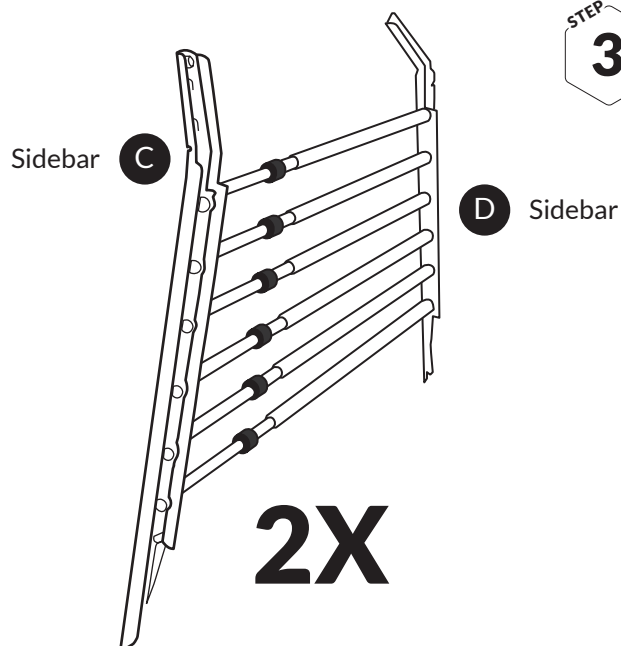
M-R3015M5S 2X 	M-B13265SLD 2X Ø13mm plastic 	M-VBM5X16 2X 
---	---	--



STEP
2

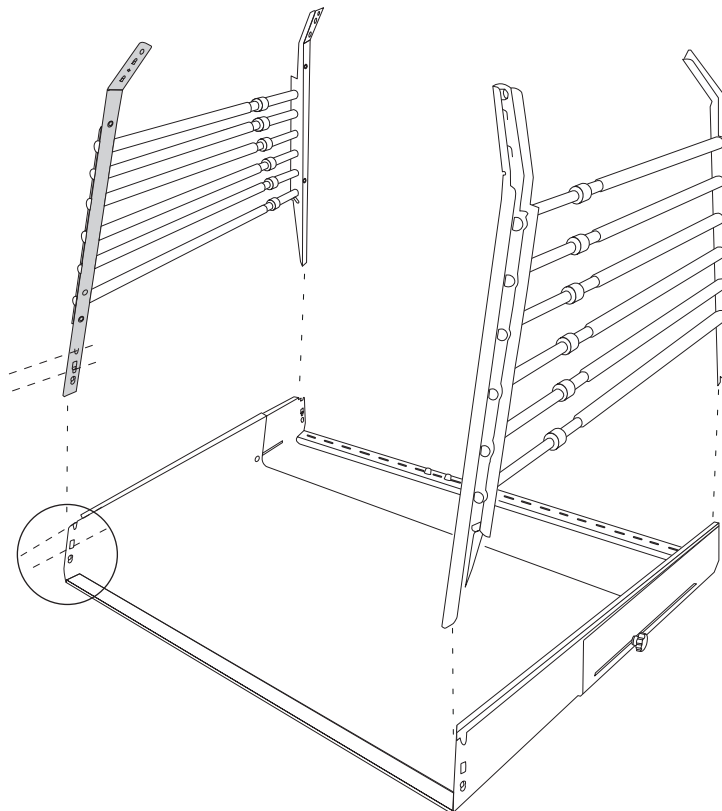
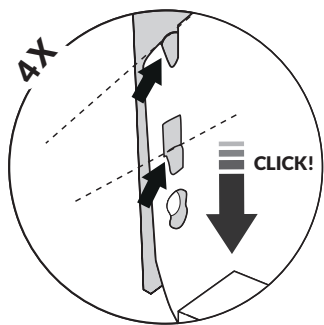


STEP
3



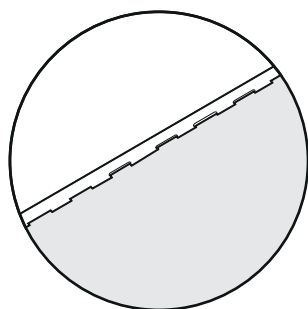
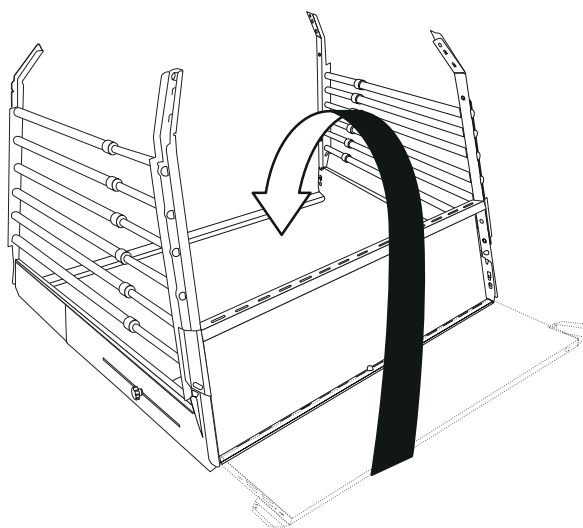
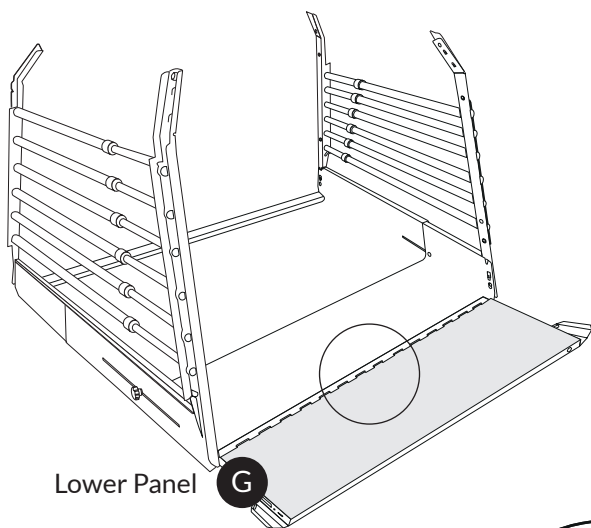
M-460641AY		M-460641BA	
			
00377	8X	00377	8X
00383	10X	00383	10X
00361	10X	00361	10X
00362	12X	00362	12X
00364	12X	00364	12X
00365	12X	00365	12X
00382	14X	00382	14X
00369	16X	00369	16X
rubber end caps		plastic end caps	

STEP
4

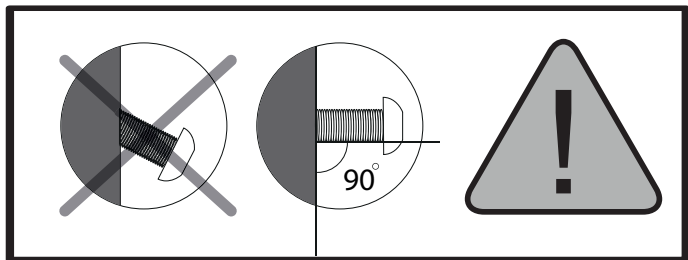
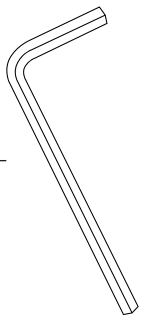
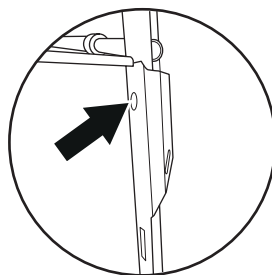
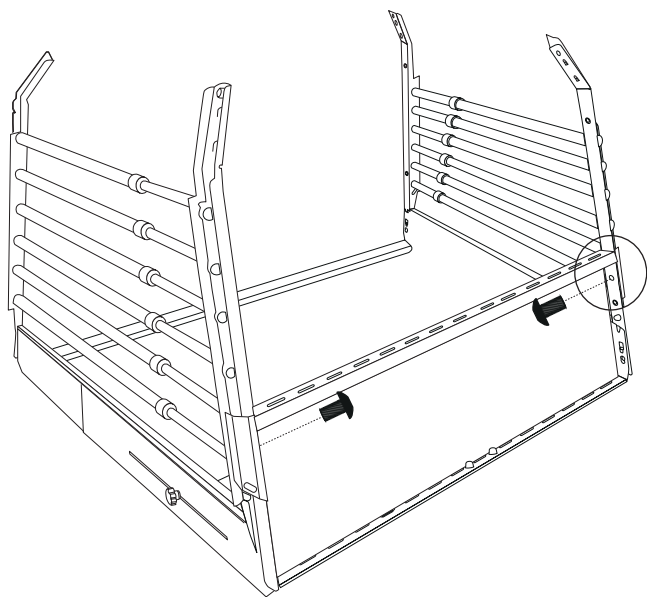


STEP
5

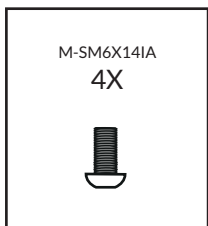
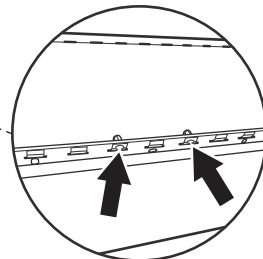
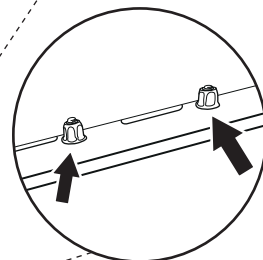
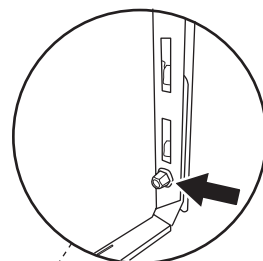
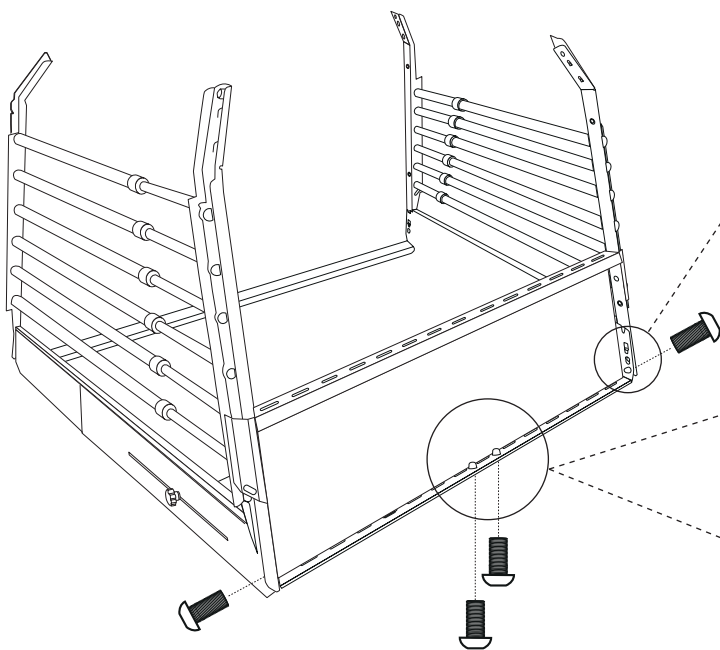
180°



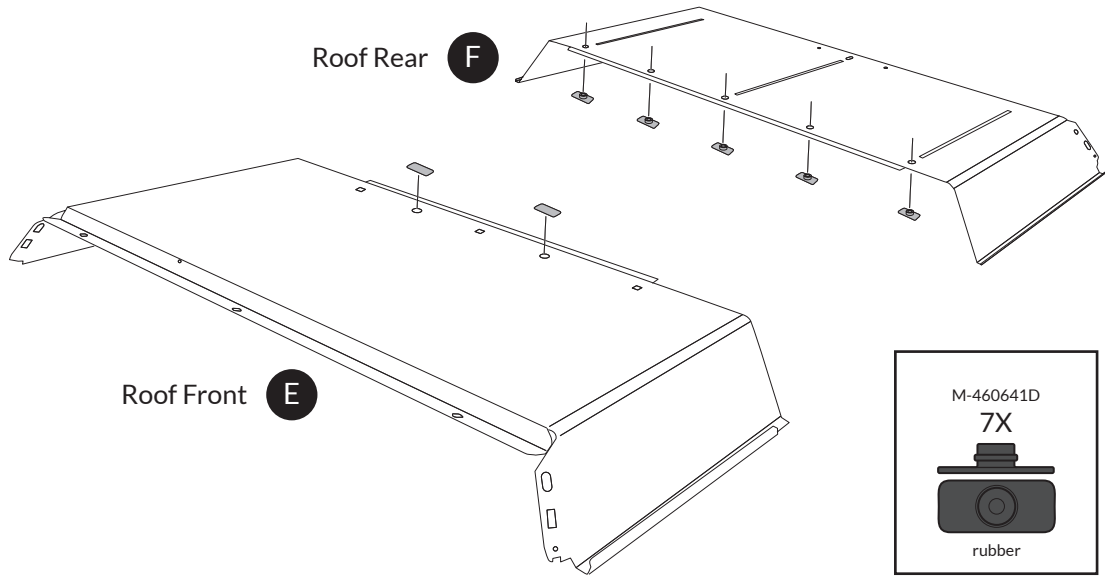
STEP
6



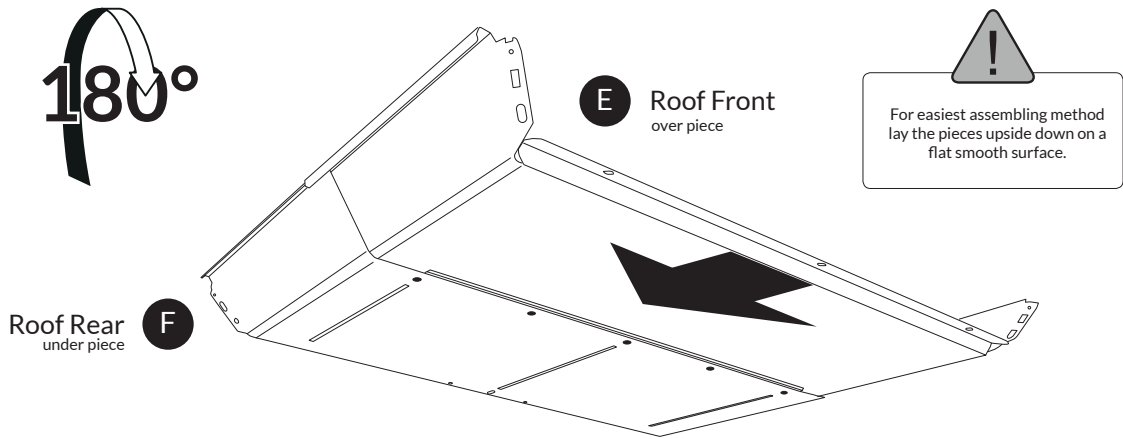
STEP
7



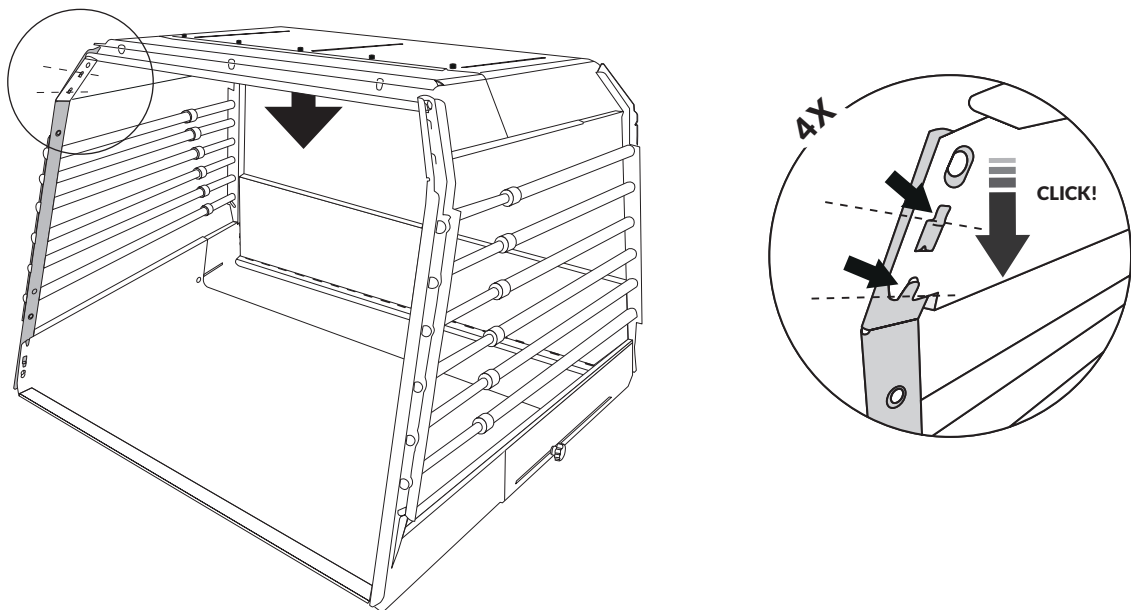
STEP
8



STEP
9


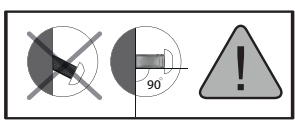
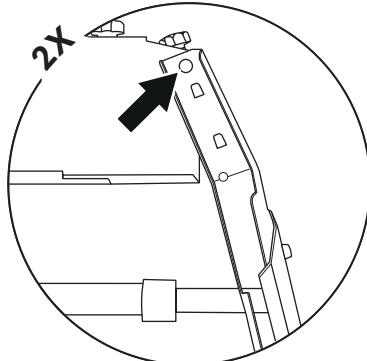
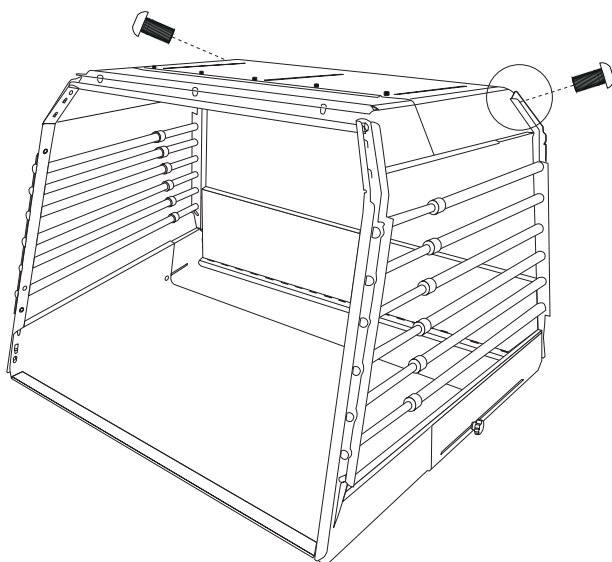


STEP
10

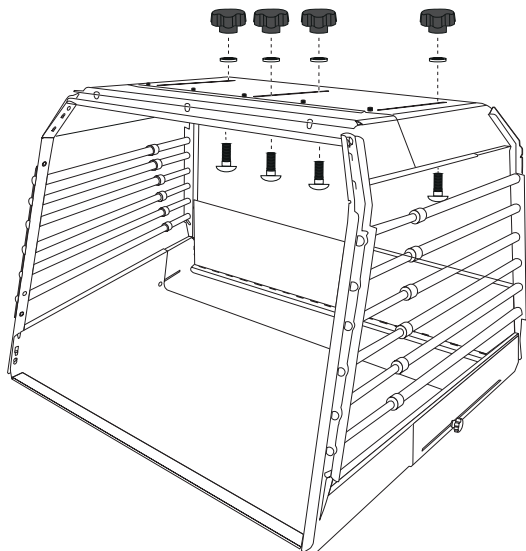





STEP
11

M-SM6X14IA
2X

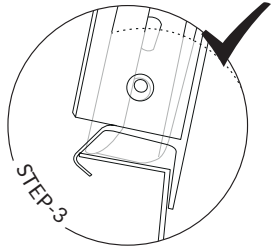
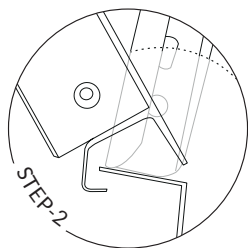
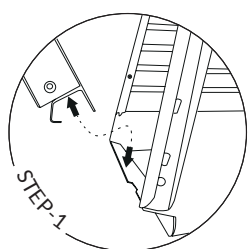
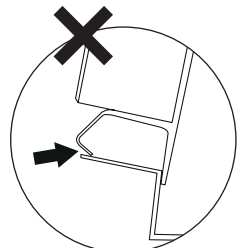
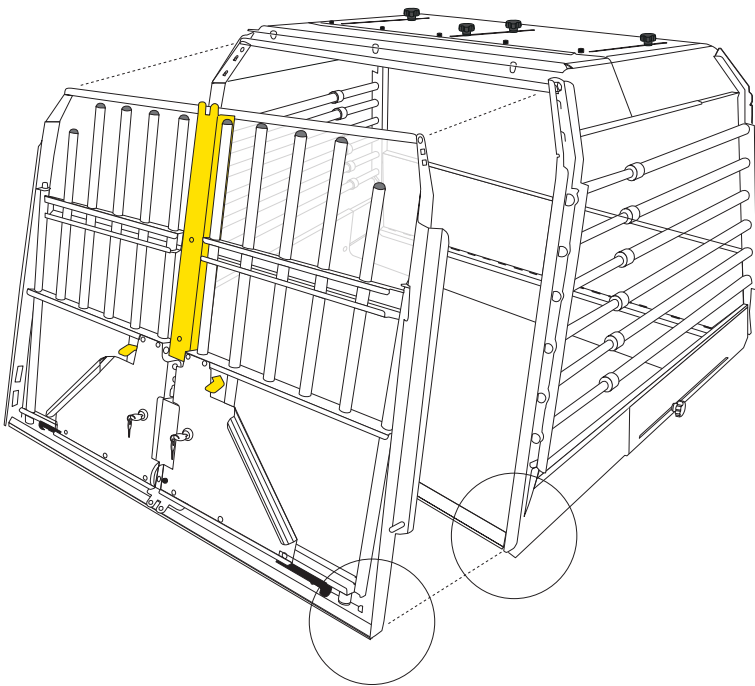



STEP
12

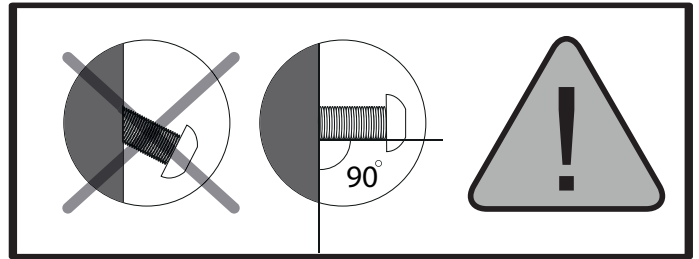
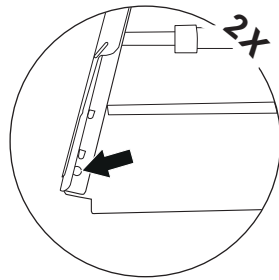
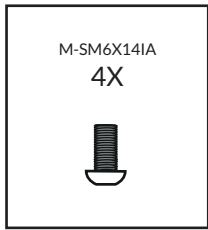
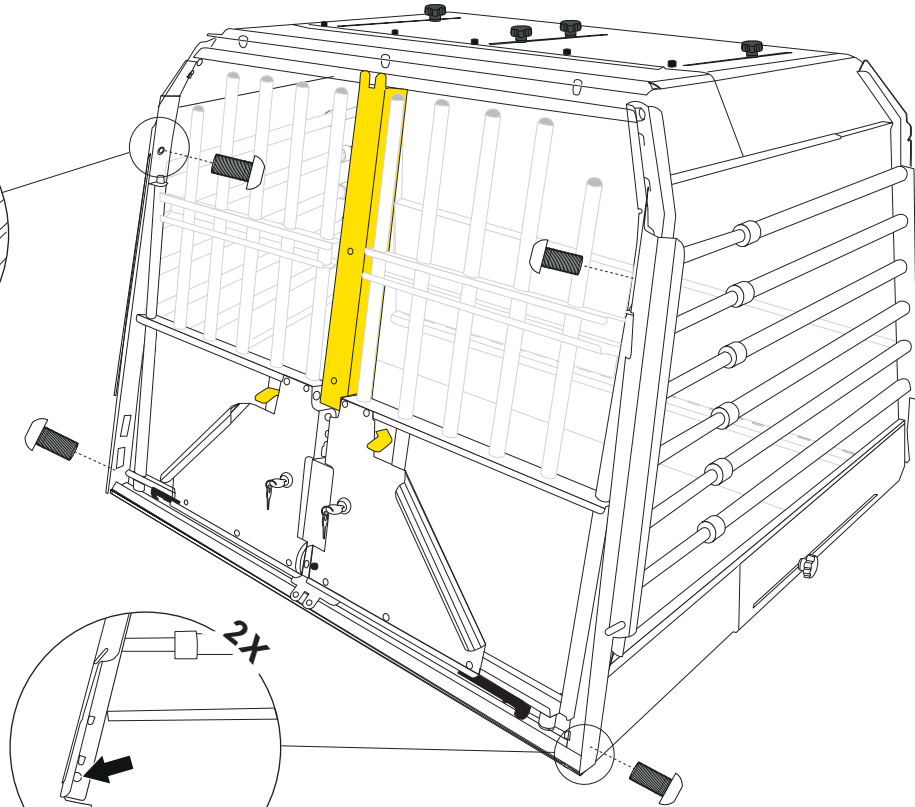
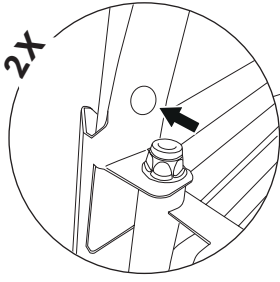


M-R3015M5S 4X	M-B13265SLD 4X Ø13mm plastic	M-VBM5X16 4X
		

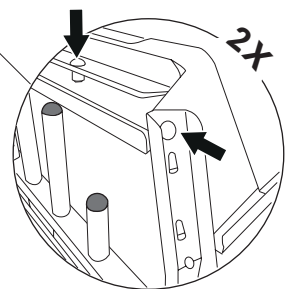
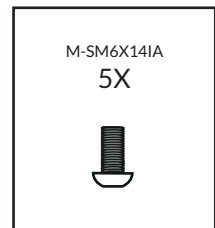
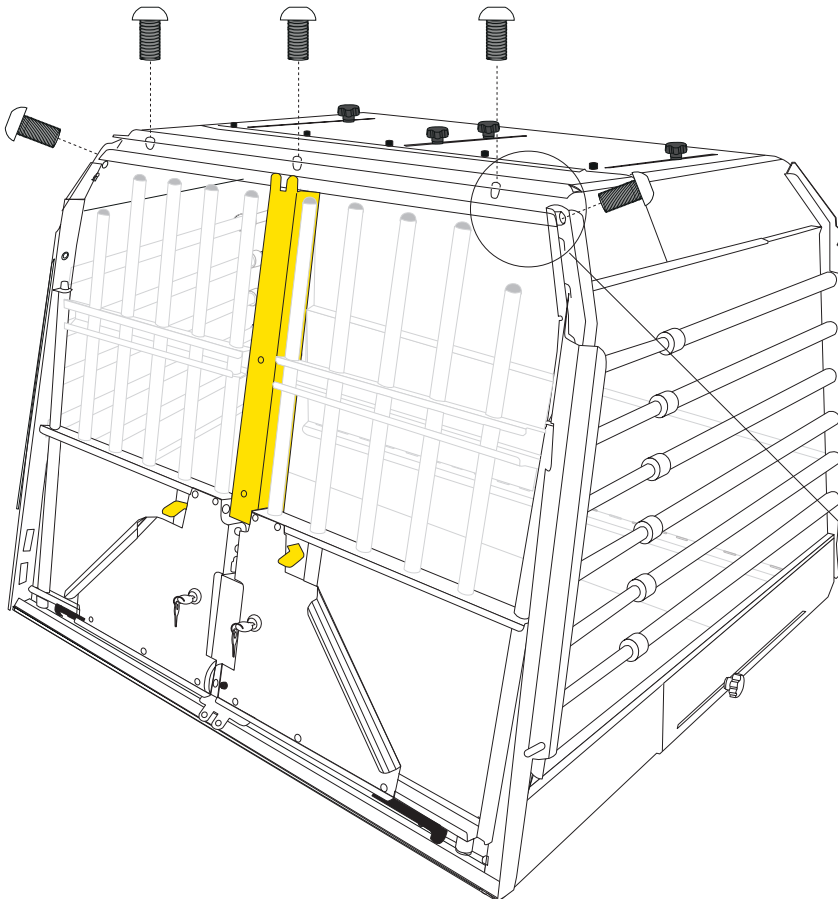
STEP
13



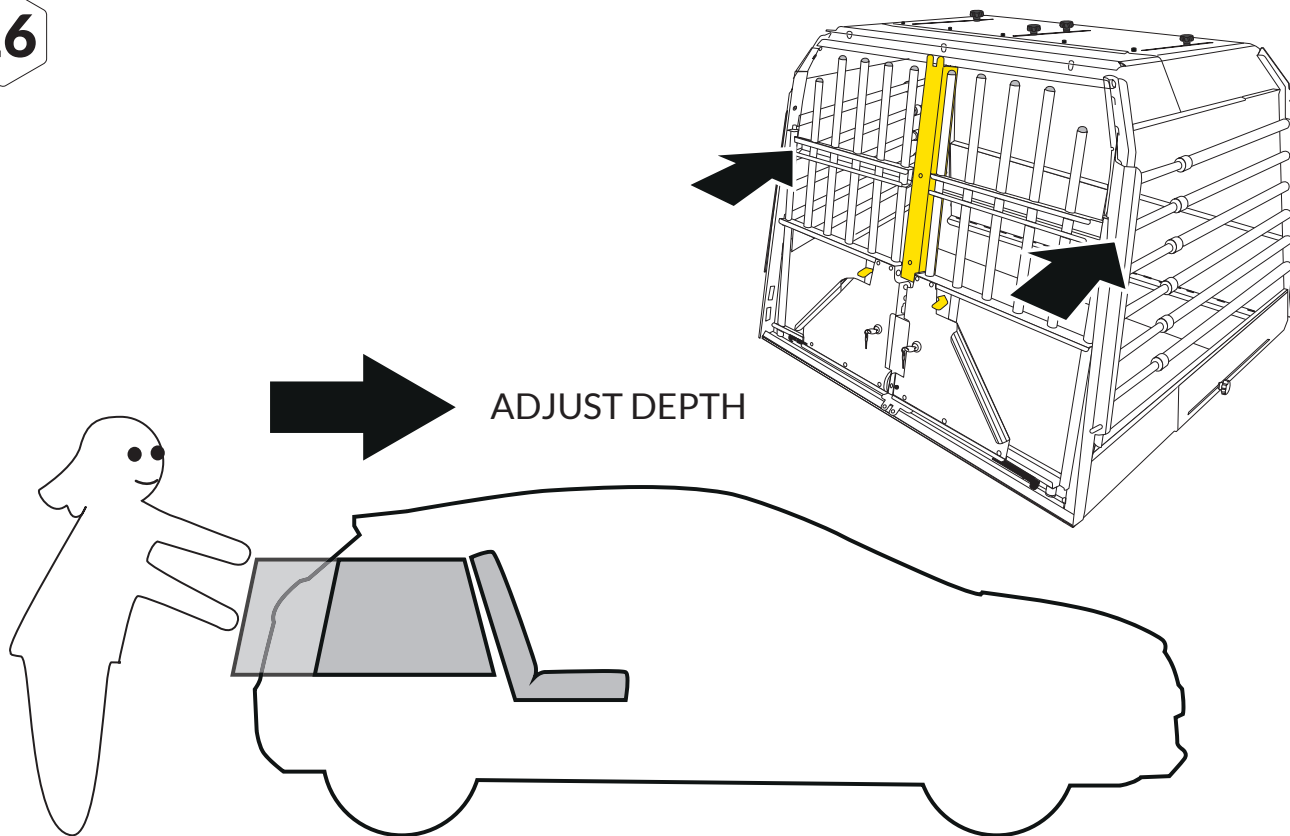
STEP
14



STEP
15

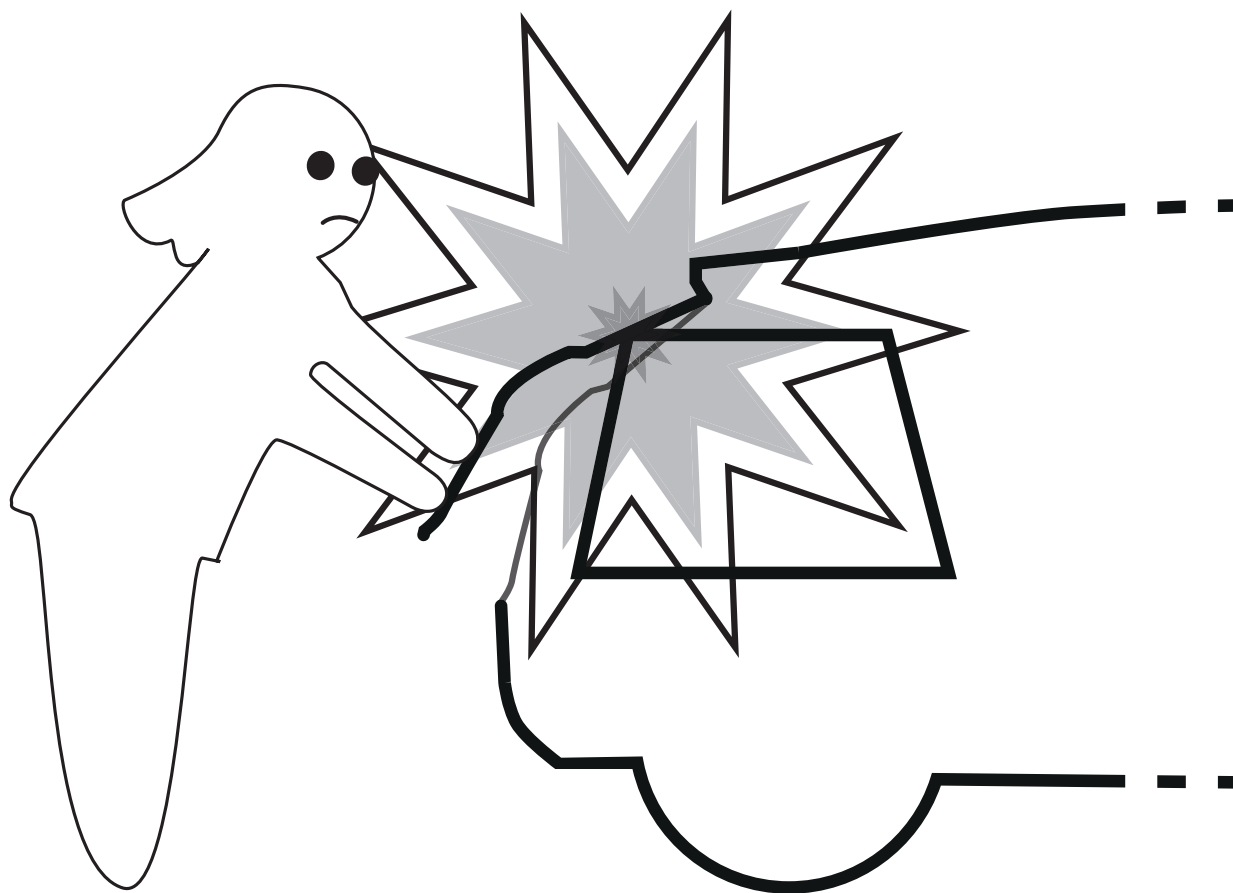


STEP
16

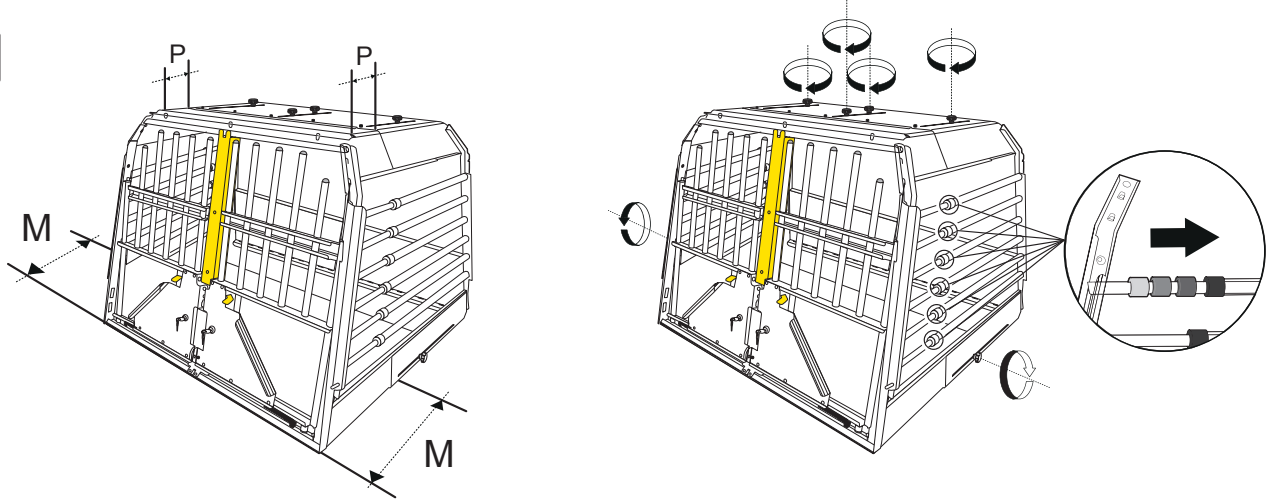


STEP
17

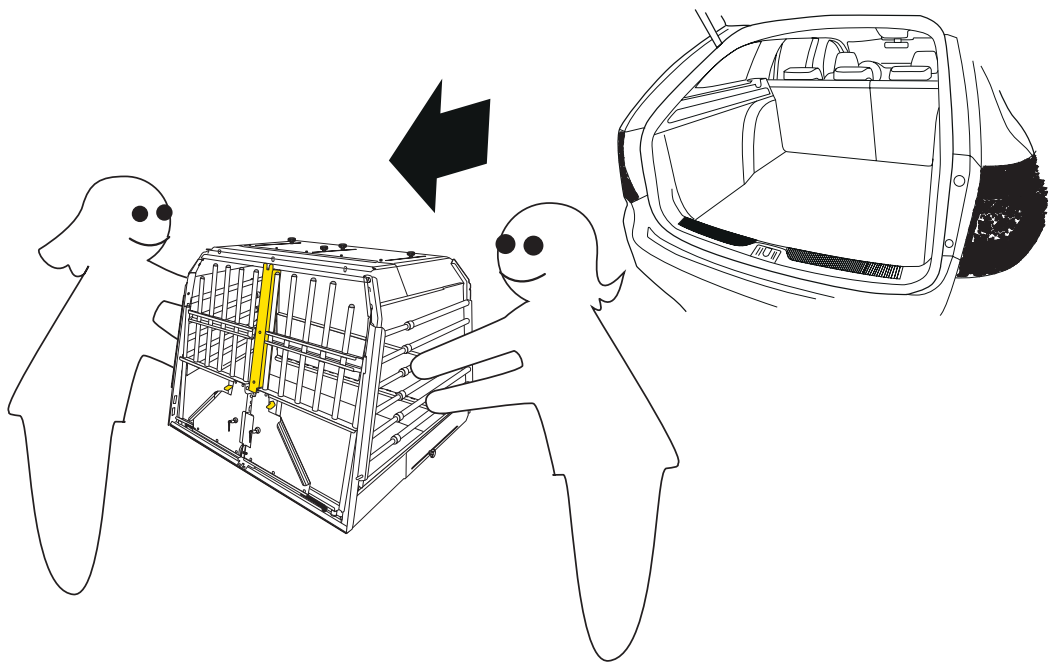
WARNING!



STEP
18



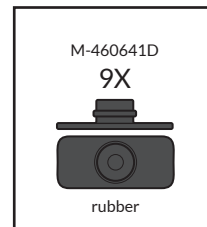
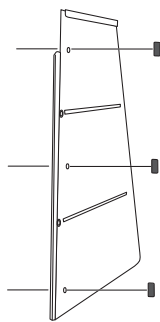
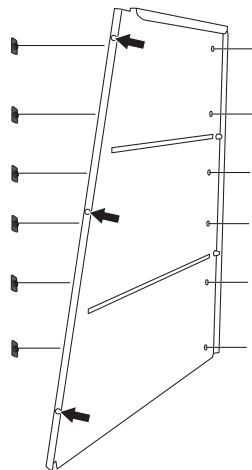
STEP
19



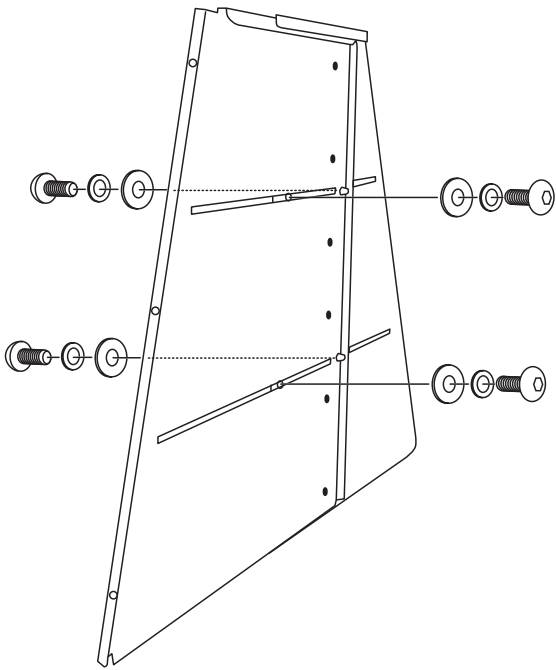
STEP
20




K Divider Front

J Divider Rear

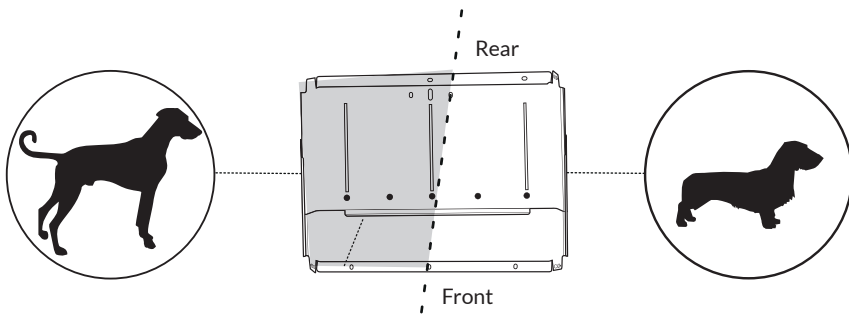



STEP
21



<p>M-SM6X14IA 4X</p> 	<p>M-BR6X19X1S 4X Ø19mm</p> 	<p>M-B251,56,5SLD 4X Ø25mm</p> 
--	---	--

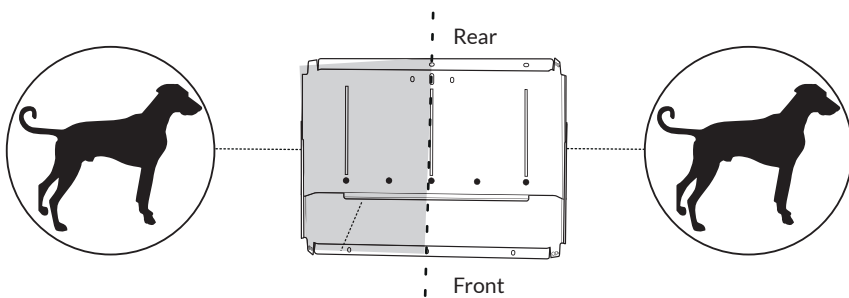
STEP
22






If you got different size of dogs they might need different size of room in the cage.

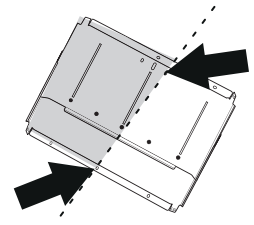
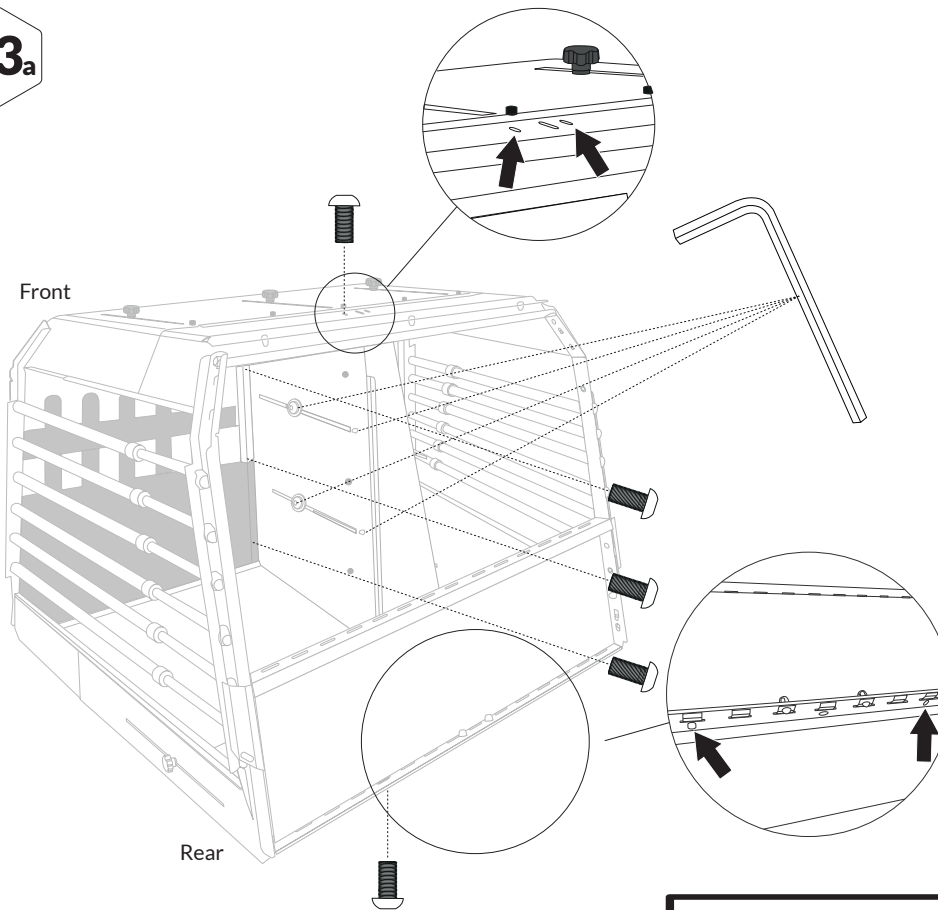
Divider is fixed in the front of and bottom of cage only top is adjustable.





If you got same size of dogs they could have equal size of room in the cage.

STEP
23a



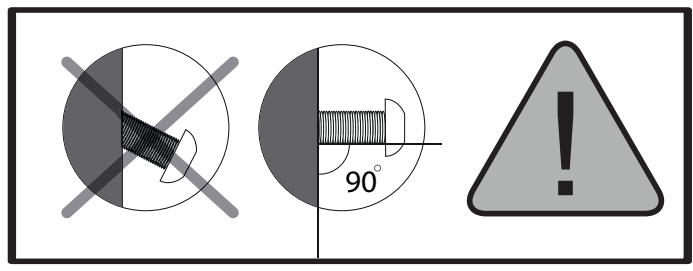
M-SM6X14IA
5X

!

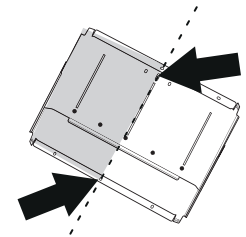
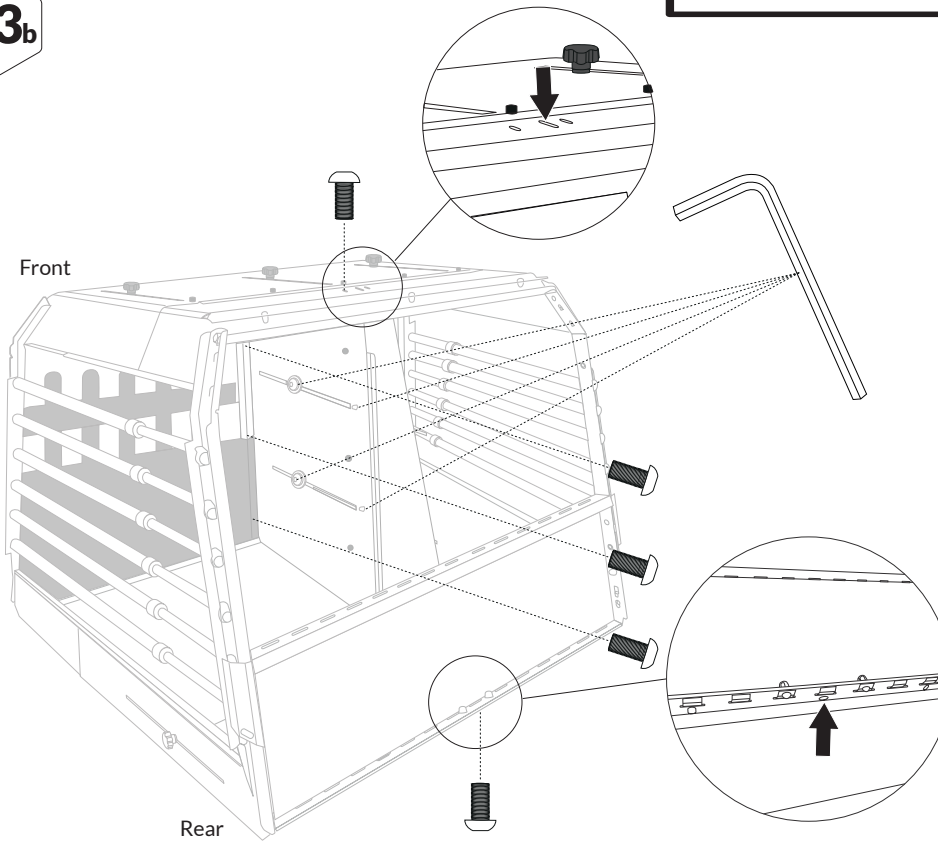
For a cage with different size dogs. Put two screws at top. At the rear either to the left or right.

Also two screws at the bottom of the cage. At the rear either to the left or the right.

Tighten screws in panel.



STEP
23b



M-SM6X14IA
5X

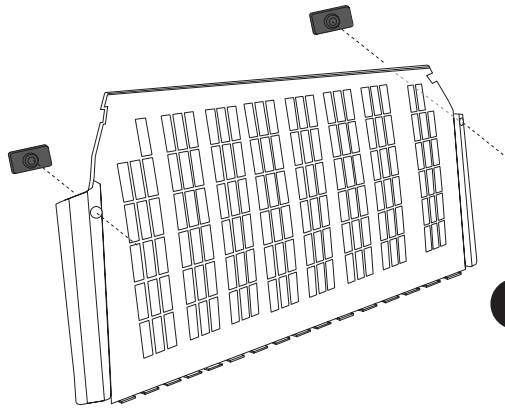
!

For a cage with equal size dogs. Put two screws at top. In the middle.

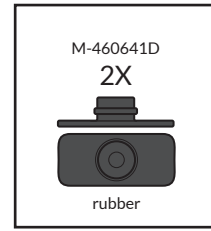
Also two screws at the bottom of the cage. In the middle.

Tighten screws in panel.

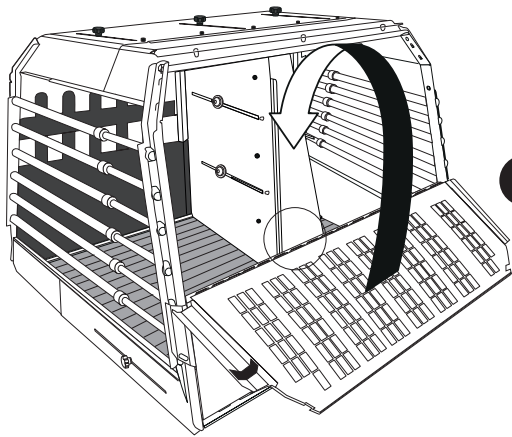
STEP
24



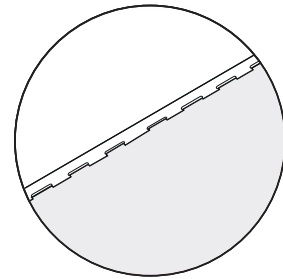
H Escape Hatch



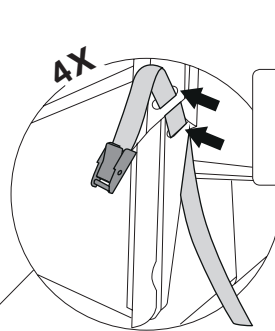
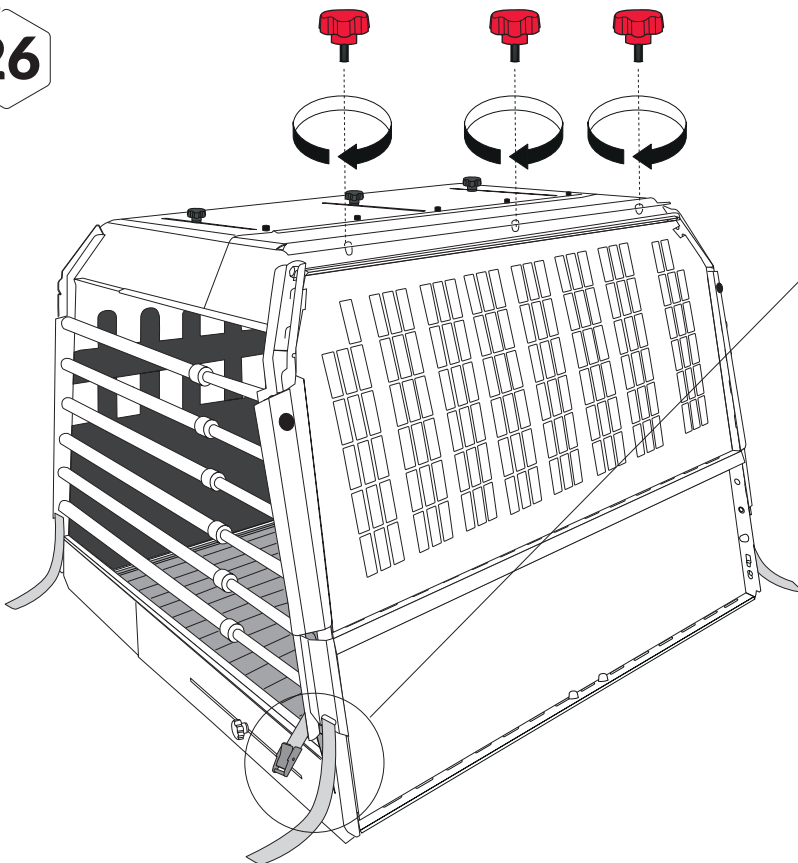
STEP
25



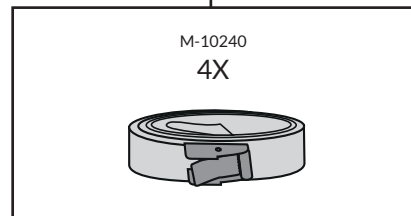
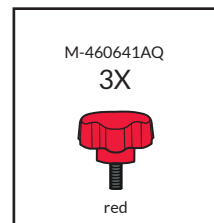
H Escape Hatch



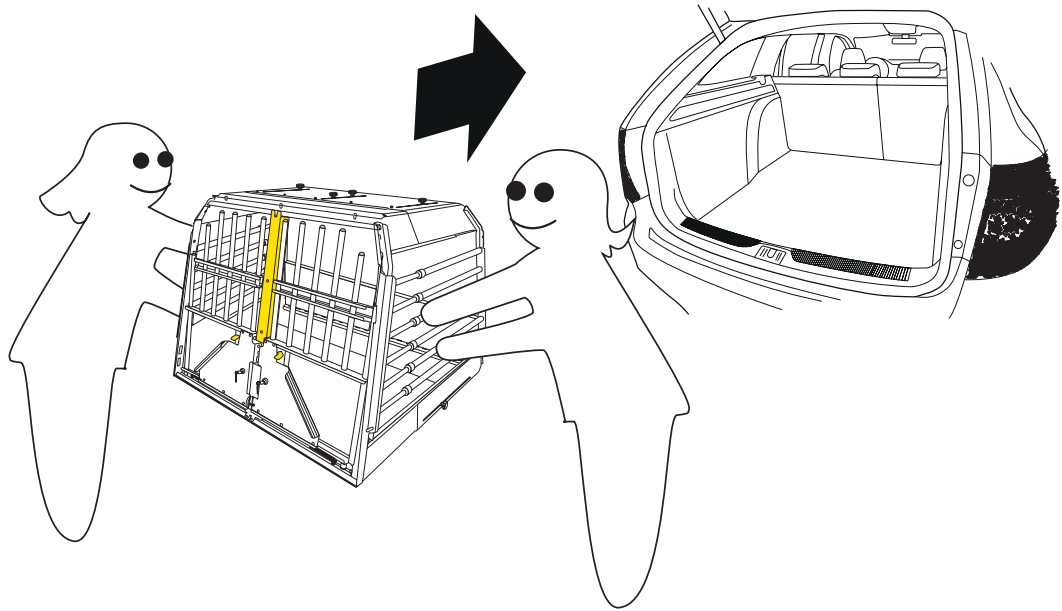
STEP
26



!
IMPORTANT!
The band must go through both plates.



STEP
27



STEP
28

