

# Heater™ Crusher

Model# CR99

## Read This Before Operating The Crusher

### IMPORTANT

**DO NOT RETURN THE CRUSHER MACHINE TO THE RETAIL STORE WHERE PURCHASED.  
CALL TOLL FREE: (800) 492-9334.**

### CUSTOMER SERVICE

**Heater Sports** is dedicated to your customer satisfaction. If you experience any trouble with the operation of the Crusher Pitching Machine contact us at: **(800) 492-9334** or log on to our website at: [www.HeaterSports.com](http://www.HeaterSports.com).

### CRUSHER BALL RECOMMENDATION

The accuracy of the Crusher Portable Pitching Machine depends on the quality of the balls used. Heater Sports recommends only using official Crusher balls in your Crusher Portable Pitching Machine. These balls are incredibly accurate, long lasting, and produce the fastest ball speed.

### **WARNING:**

**THIS PRODUCT IS TO BE USED BY ADULTS ONLY. MAKE SURE MACHINE IS TURNED OFF BEFORE ASSEMBLY! KEEP HANDS AND ALL BODY PARTS AWAY FROM BALL ENTRY AND EXIT! SERIOUS HAND, EYE, AND BODILY INJURY MAY OCCUR IF USED INCORRECTLY!**

- Please be sure to read all of the instructions before using the Crusher Portable Pitching Machine to insure the machine is working properly.
- Parents: Your child should be made aware of the potential dangers when using the Crusher Portable Pitching Machine.
- Never put your fingers into the Crusher while it is operating.
- The Crusher is not a toy and an adult should supervise children. It is very important that the batter make sure the area is clear before swinging bat.
- Stay clear of the ball opening while the Crusher is operating. Although the balls are very light, they are made of hard plastic, and eye damage or other injury may occur. Children must be advised of this danger and appropriate precautions should be taken.
- **DO NOT** use any type of ball other than the Crusher balls provided, such as regular golf ball or softer-type ball. The used of one of these balls may result in jamming the Crusher and leaving it inoperable.
- Occasionally a ball will not fall properly. **DO NOT LOOK INTO THE FRONT HOLE WHILE THE CRUSHER IS RUNNING** to see where it is. The following ball may push it out and cause eye injury. If the next ball does not push it through, then turn the Crusher off before attempting to find the ball. You should be able to dislodge the ball easily by tilting the Crusher forward to eject the ball.

**Heater**  
SPORTS

# CRUSHER PARTS LIST



(A) Housing  
Qty: 1



(B) Tripod  
Qty: 1



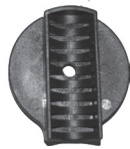
(C) Middle Front Leg  
Qty: 1



(D) Middle Back Leg  
Qty: 2



(E) Bottom Leg  
Qty: 3



(G) Tripod Clamp  
Qty: 1



(H) Flat Washer  
Qty: 1



(I) Lock Washer  
Qty: 1



(J) Thumb Knob  
Qty: 1



(K) Tripod Attachment  
Qty: 1



(L) Tripod Attachment Bolt  
Qty: 1



(M) Machine Bolt  
Qty: 1



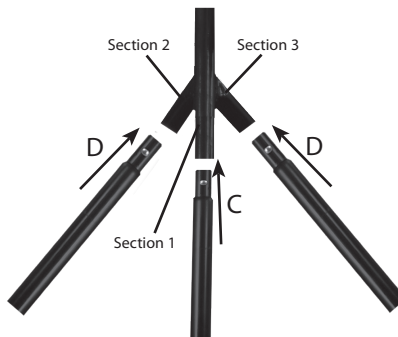
(N) A/C Adapter  
Qty: 1



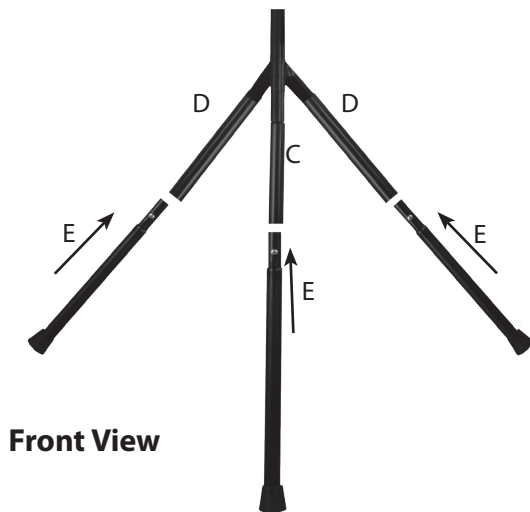
(O) Mini Balls  
Qty: 1 Dz.

## TRIPOD ASSEMBLY

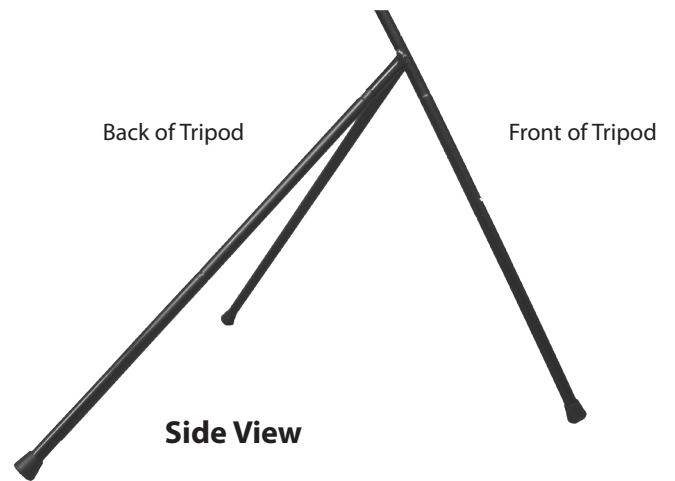
**STEP 1:** Insert Middle Back Legs (D) in to Sections 2 & 3 of Tripod (B), making sure the push pins lock in place. Then insert Middle Front Leg (C) in to Section 1 of Tripod (B), also making sure push pins lock in place.



**STEP 2:** Insert Bottom Leg Assemblies (E) in to Middle Back Legs (D) and Middle Front Leg (C)

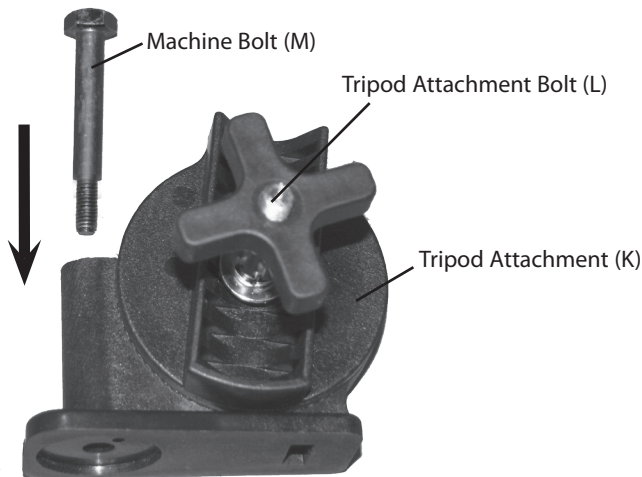


**Front View**

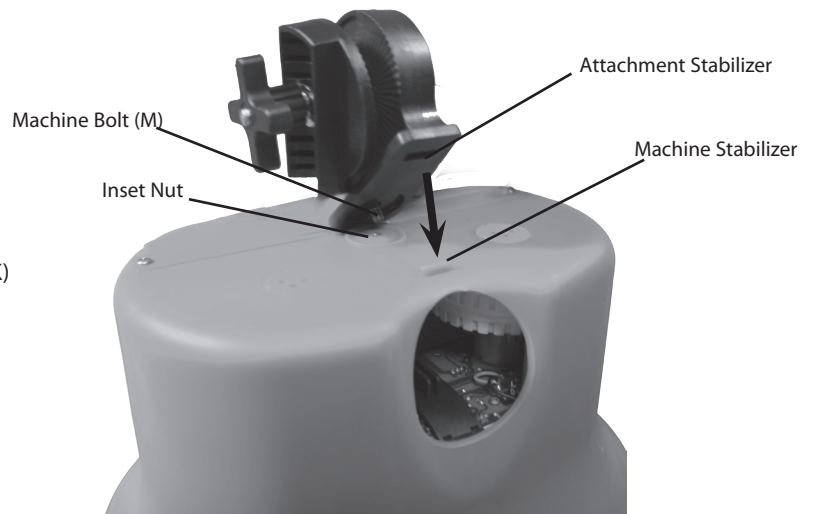


**Side View**

### **CRUSHER ASSEMBLY**

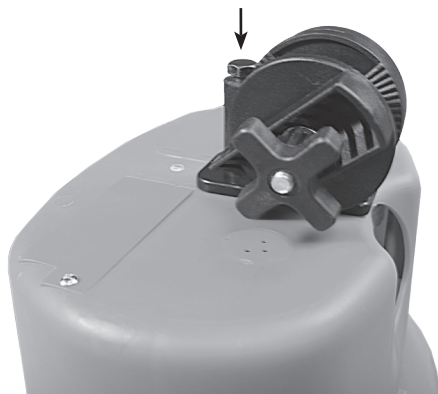


**STEP 3:** Insert Bolt through Tripod Attachment. (Make sure Flat Surface is on bottom)

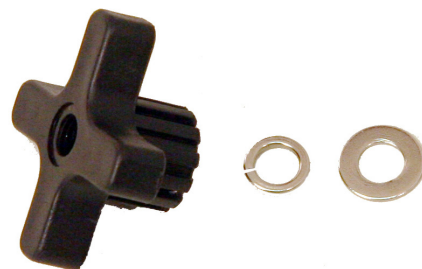


**STEP 4:** Align Bolt directly over the inset Nut located on the bottom of the machine.

Then, align Attachment Stabilizer over the Machine Stabilizer



**STEP 5:** Secure Tripod Attachment by tightening the Bolt clockwise.



**STEP 6:** Remove Knob & Washers from Tripod Attachment Bolt.

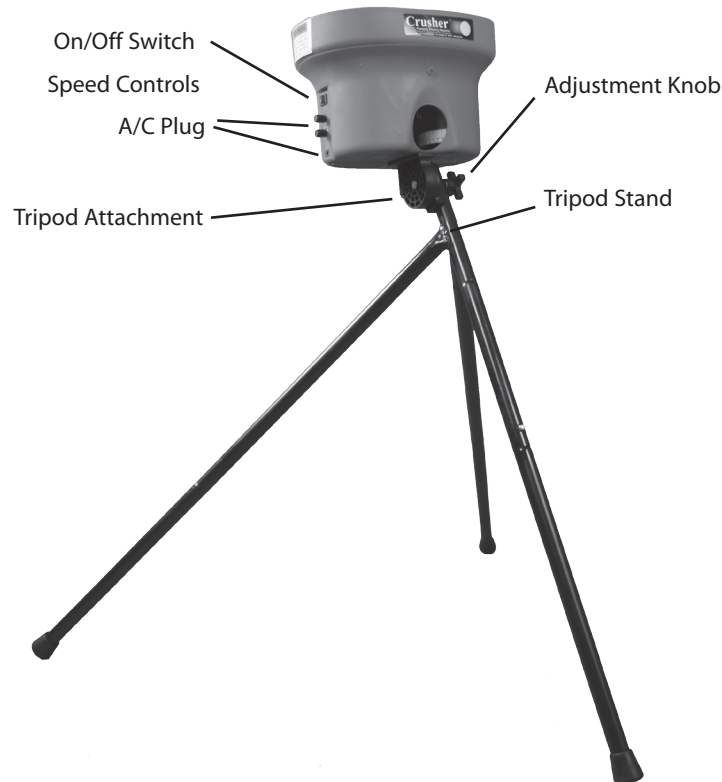


**STEP 7:** Slide the housing bolt through the Tripod (B) hole.

Then, replace the Washer, Lock Washer, Knob in that order and then tighten.

**NOTE:**  
MAKE SURE TO FACE THE MACHINE OPENING OVER THE FRONT LEG OF THE TRIPOD.

THE TRIPOD WILL LEAN BACK AS THIS GIVES THE MACHINE THE PROPER BALANCE.



**\*\*\*\* IMPORTANT \*\*\*\***

The Left & Right Variable Speed Control Knobs adjust the speed of each motor in the Crusher. If both knobs are all the way up, the motors might not spin at exactly the same rate. This may cause the machine to pitch fast balls inaccurately.

To correct this problem, turn the knob on the faster spinning motor down so it is spinning at the same rate as the other motor. This will make the balls pitch accurately. For left & right curve balls, adjust one motor to spin slower than the other.

**Make Your Crusher Battery Operated**

Call 1-800-492-9334 to order a 2 hour or 4 hour battery pack for your Crusher Pitching Machine.

