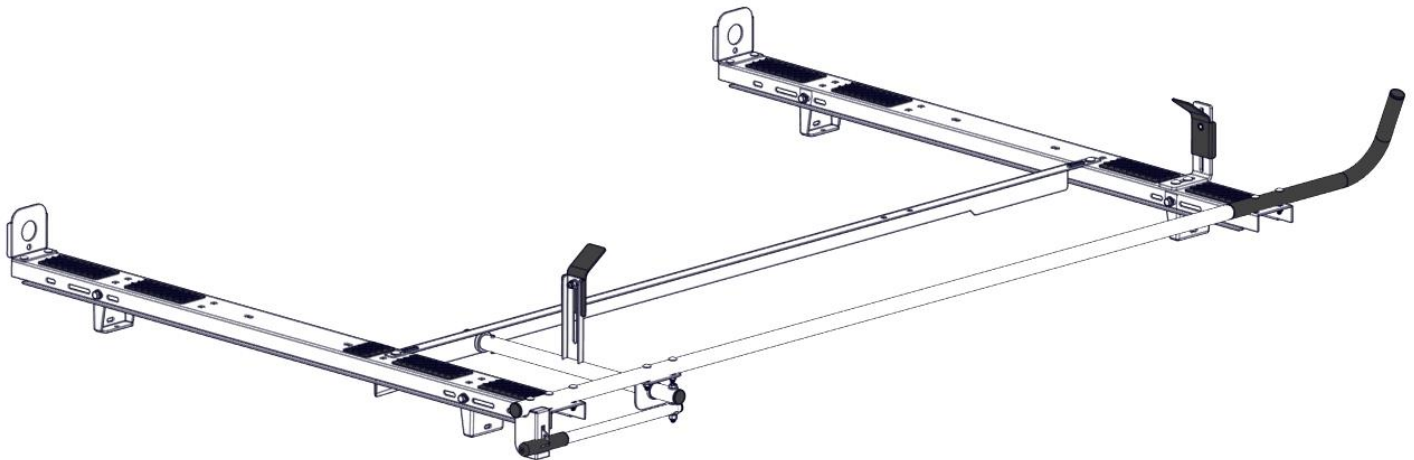




WE PUT EVERYTHING WITHIN REACH.

Instruction Guide

4A84L-Rev 1



Kargo Master
Rancho Cordova, CA 95742
800-343-7486
CustomerService@KargoMaster.com

DATE: _____

***PLEASE READ ALL INSTRUCTIONS AND WARNINGS PRIOR TO ASSEMBLING,
INSTALLING, AND USING THIS PRODUCT***

Warning



Always check for wires, fuel tanks and lines, brake lines and other important vehicle functionality items prior to drilling and installing all products.

Tools Needed

9/16" Socket and Wrench	1/2" Socket and Wrench
-------------------------	------------------------


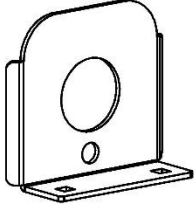

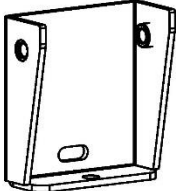
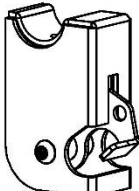
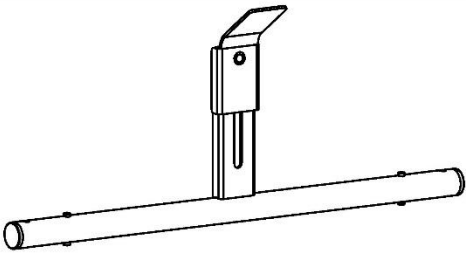

Table of Contents

Parts List	2-3
Assembly Hardware	4-5
Rack Assembly	
Step 1 – Ladder Stops	6
Step 2 – Mount to Feet	7
Step 3 – Mount Side Tube	8-9
Step 4 – Mount Clamp Tube	10-11
Step 5 – Mount Latch Assembly	11
Step 6 – Mount Handle	12
Step 7 – Mount Ladder Hook	12
Step 8 – Install Feet	13-14
Step 9 – Install Extra Pad	15
Ladder Pad Adjustment Examples	17

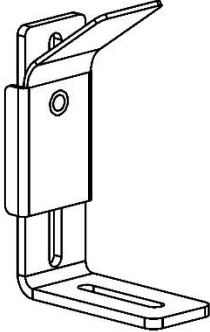

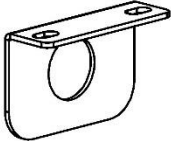

Before You Begin

- Read all instructions. Find your vehicle roof rail mounting prior to rack assembly.
- Most times it is easier to assemble the ladder rack on top of roof, after the mount kit has been installed.
- **DO NOT EXCEED MANUFACTURERS WEIGHT CAPACITY FOR ROOF.**
- **BE SURE TO ADJUST LADDER CLAMPS ACCORDINGLY TO FIRMLY SECURE LADDER TO RACK.**

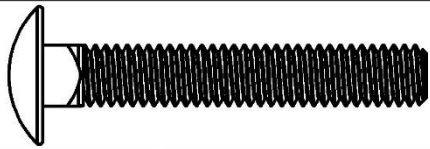
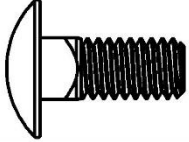
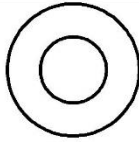

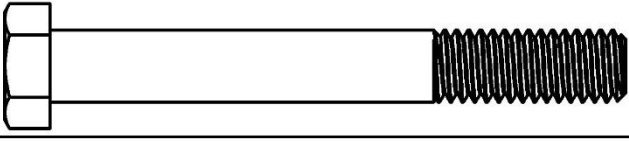
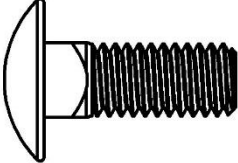
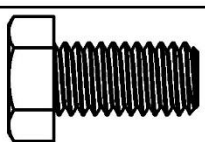
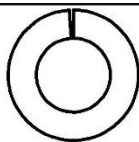
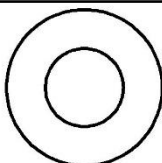
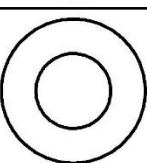
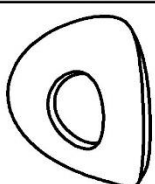
Parts

ITEM NO.	PAGE 1 of 2	PART NUMBER	DESCRIPTION	QTY.
A		4A800-00-001-R3	Cross Bow	2
B		4A900-10-008-R2	Ladder Stop	2
C		4A800-50-002-R2-R	Hook ASM	1
D		4A800-10	Foot ASM	4
E		4A800-20	Latch ASM	1
F		4A800-30	Clamp Tube	1
G		4A800-40	Handle	1


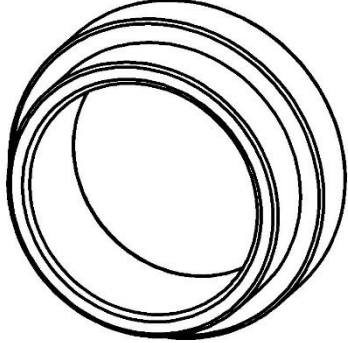
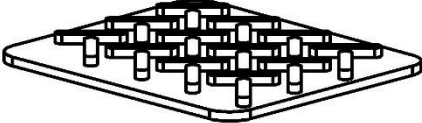
Parts

ITEM NO.	PAGE 2 of 2	PART NUMBER	DESCRIPTION	QTY.
H		4A800-60	Ladder Stop ASM	1
J		4A800-84-003-R	Clamp and Lock L Bracket	1
K		11-03027A	Hangar	1
L		4A800-84-001	84 Tube	1
		18-4A84L-A	HARDWARE	1

Hardware (18-4A84L-A)

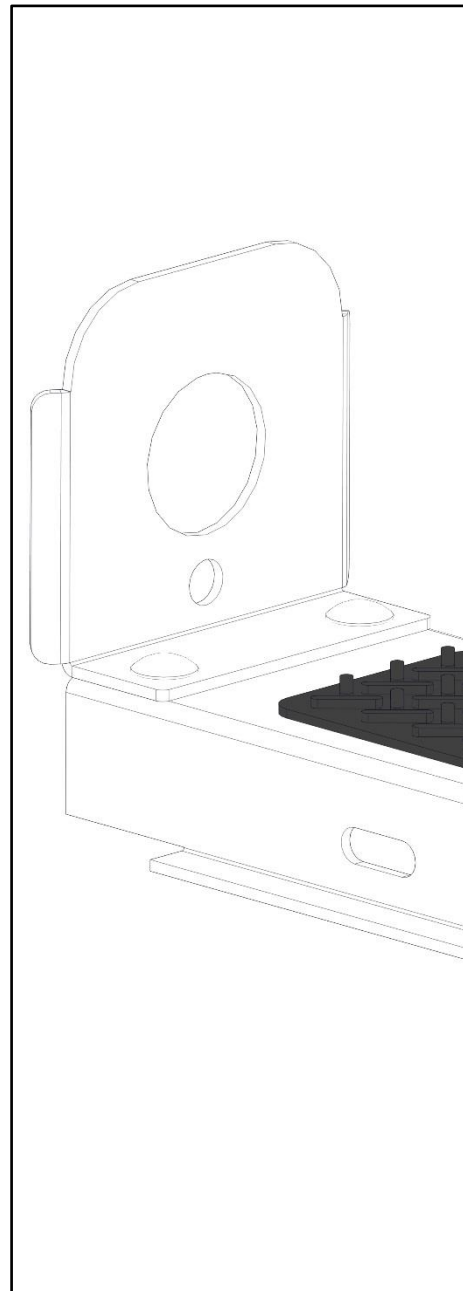
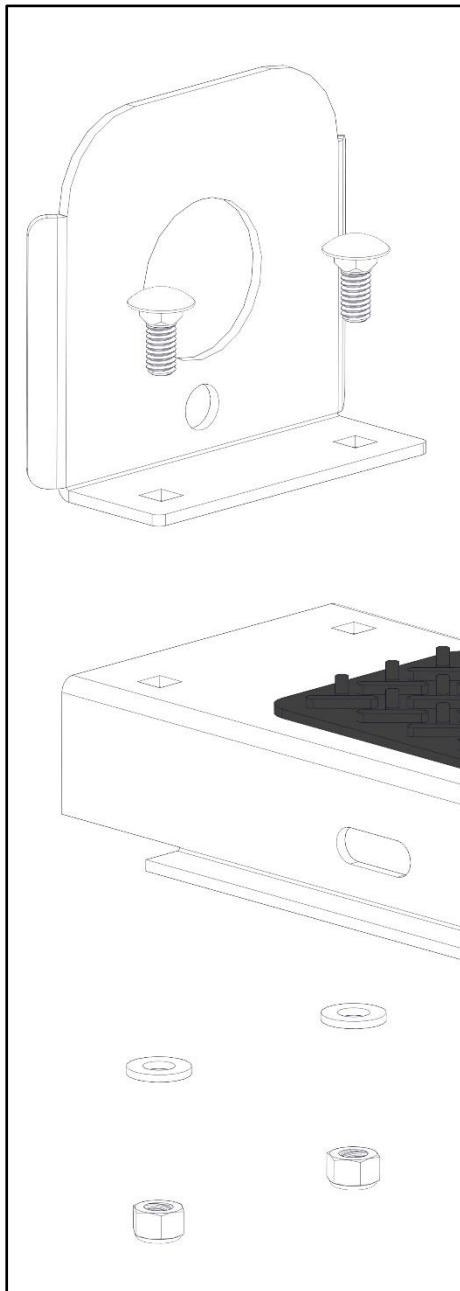
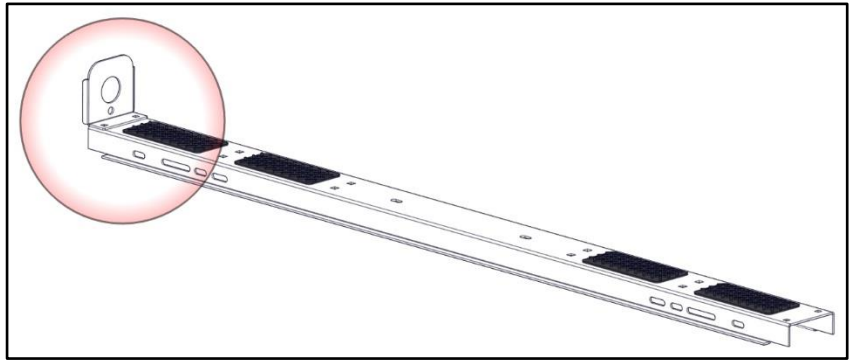
ITEM NO.	TO SCALE	PART NUMBER	DESCRIPTION	QTY.
1		90185A591	5/16"-18 x 2" Carriage Bolt	7
2		90185A581	5/16"-18 x 3/4" Carriage Bolt	4
3		90126A030	5/16" Flat Washer	11
4		95615A160	5/16"-18 Nyloc	11
5		91247A636	3/8"-16 x 3" Hex Head	1
6		90185A624	3/8"-16 x 1" Carriage Bolt	4
7		92240A622	3/8"-16 x 3/4" HH	8
8		92146A031	3/8" Split Lock Washer	8
9		90126A031	3/8" Flat Washer	13
10		90295A170	3/8" Nylon Washer	1
11		91844A370	3/8" Curved Washer	1

Hardware (18-4A83L-A) Continued

ITEM NO.	TO SCALE	PART NUMBER	DESCRIPTION	QTY.
12		95615A140	3/8"-16 Nyloc	5
13		11-03013	Nylon Bushing	2
14		Extra Pad	PAD, PAN, LOWER, SELF-ADHESIVE, SCALE 1:2	1
		BH-821	Sealant	1

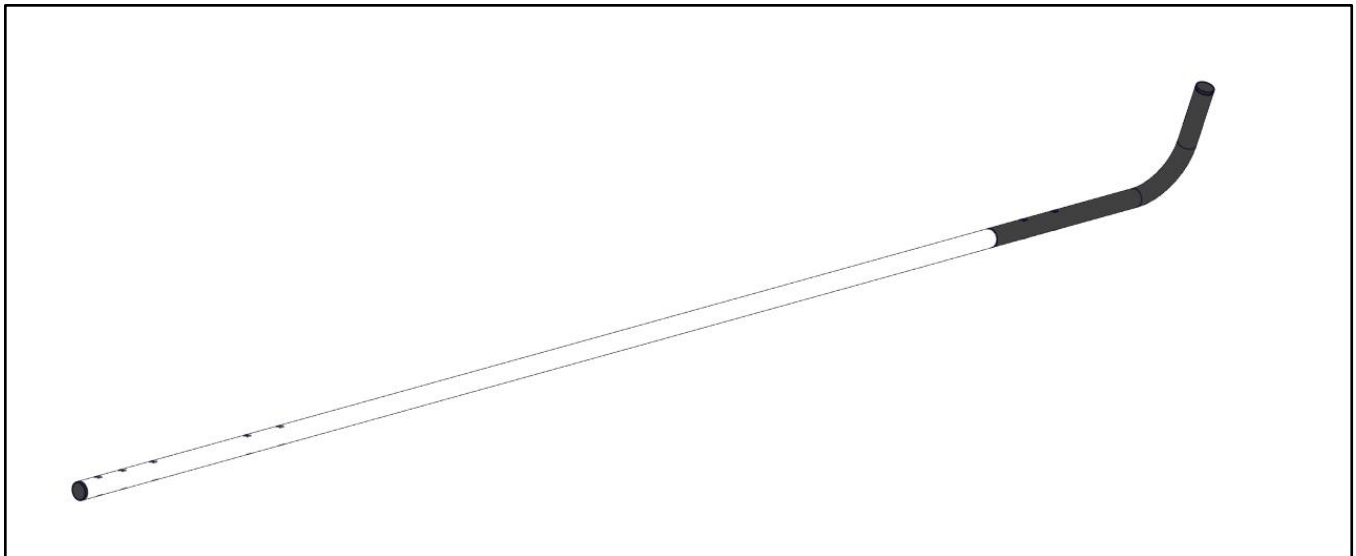
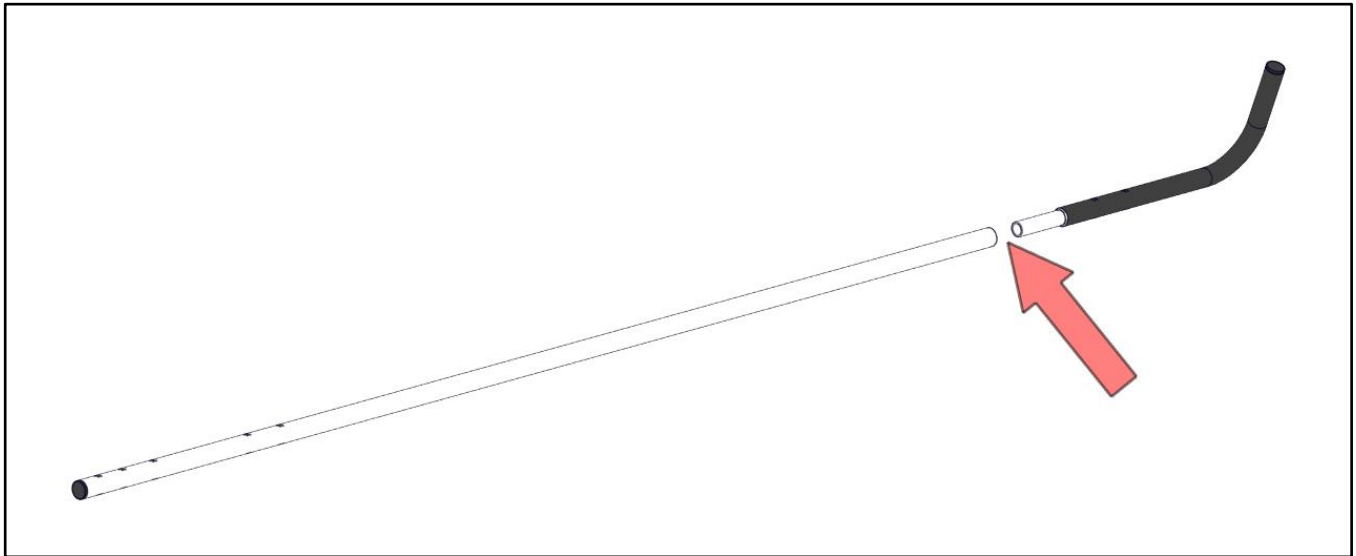
Step 1 – Ladder Stops

- Bolt ladder hooks to one end of each bow.
- Use a 5/16" carriage bolt, 5/16" washers and a 5/16" nyloc nuts.
- TIGHTEN. Skip installing ladder stops if adding 4A81L.



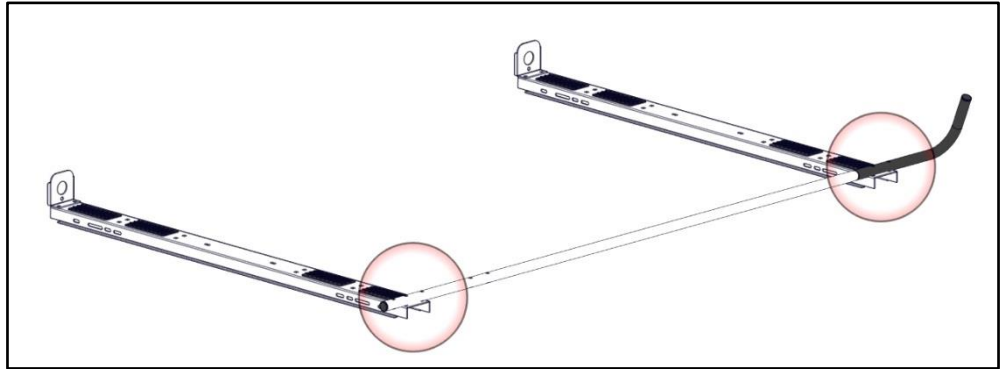
Step 2 – Assemble Side Tube

- Assemble side tube. Place sealant at joint.
- Proceed to next step while sealant is still workable.

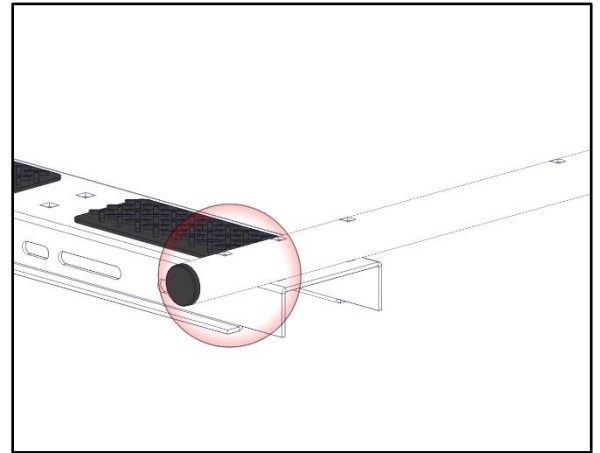


Step 3 – Mount Side Tube

- Place side tube assembly on top of bows.
- Have the bend towards the front and to the outside of the vehicle as shown.
- In some applications, it is easier to assemble rack on top of vehicle.



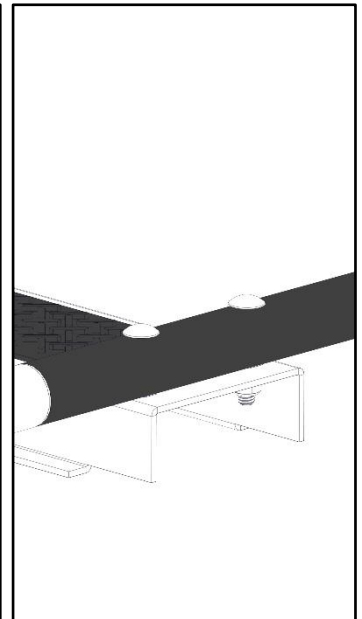
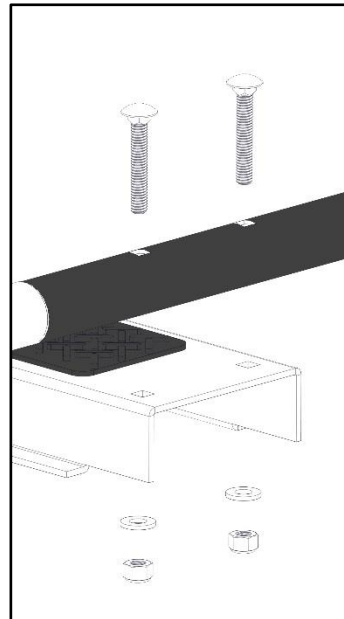
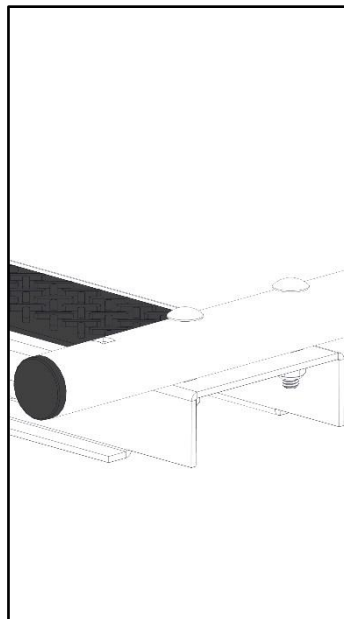
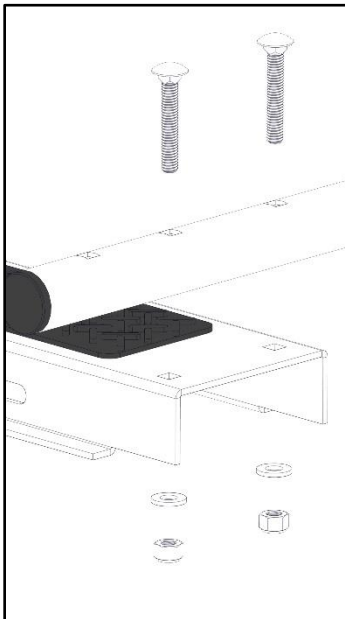
- Leave one square slot open at the rear of the tube.



- Bolt together using 5/16" x 2" carriage bolts, a 5/16" flat washers and a 5/16" nyloc nuts.
- Snug Tighten, but allow movement.

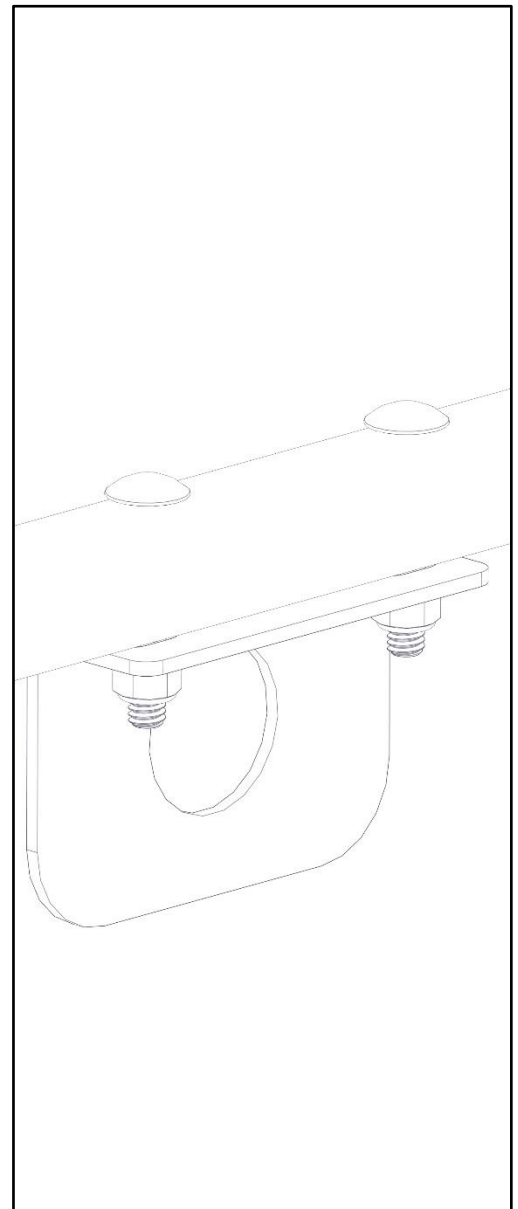
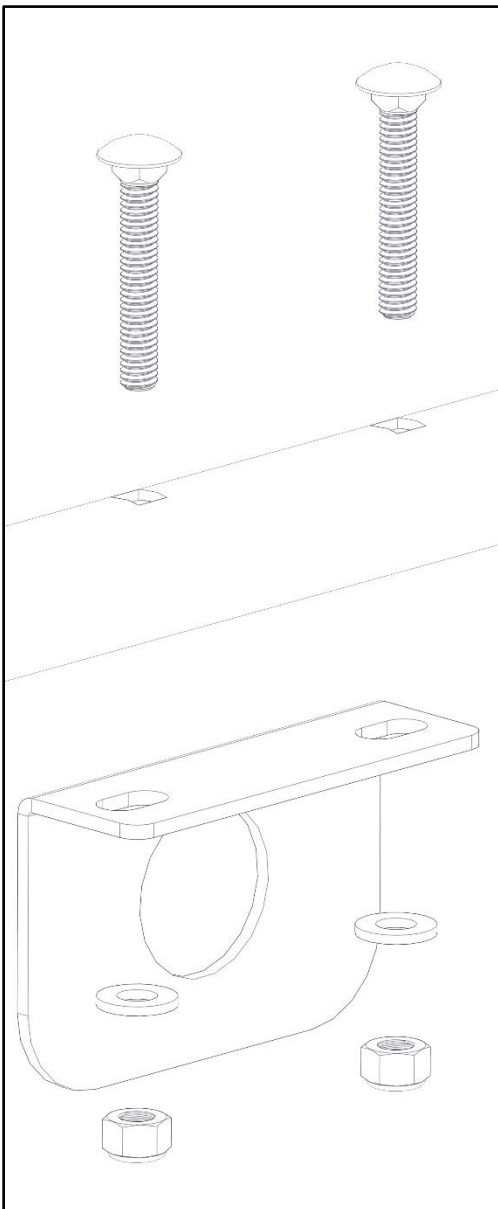
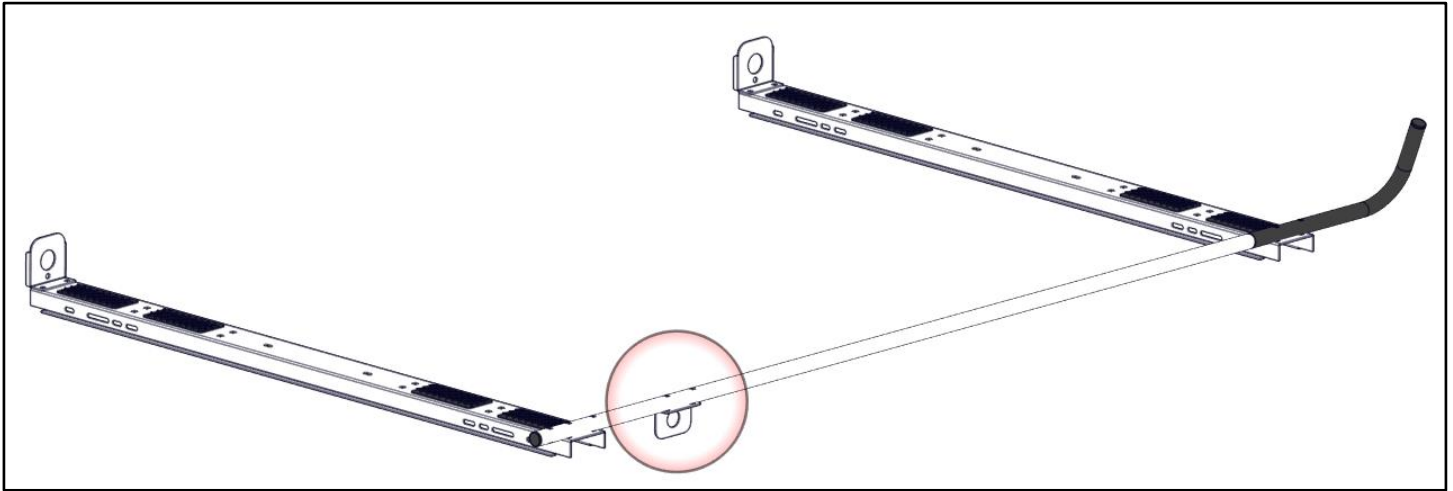
Rear

Front



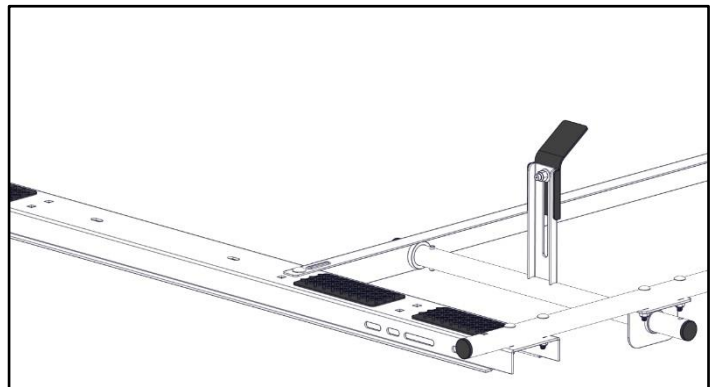
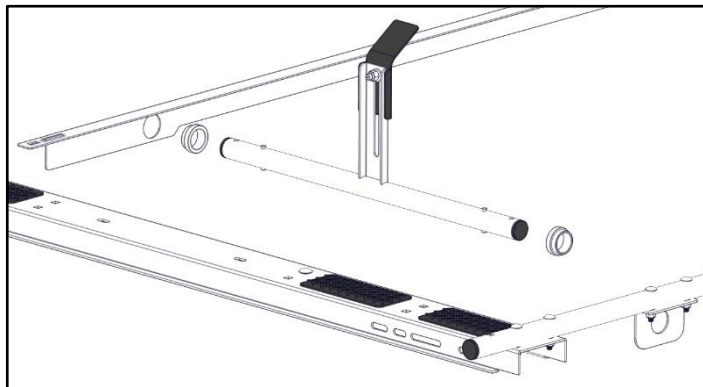
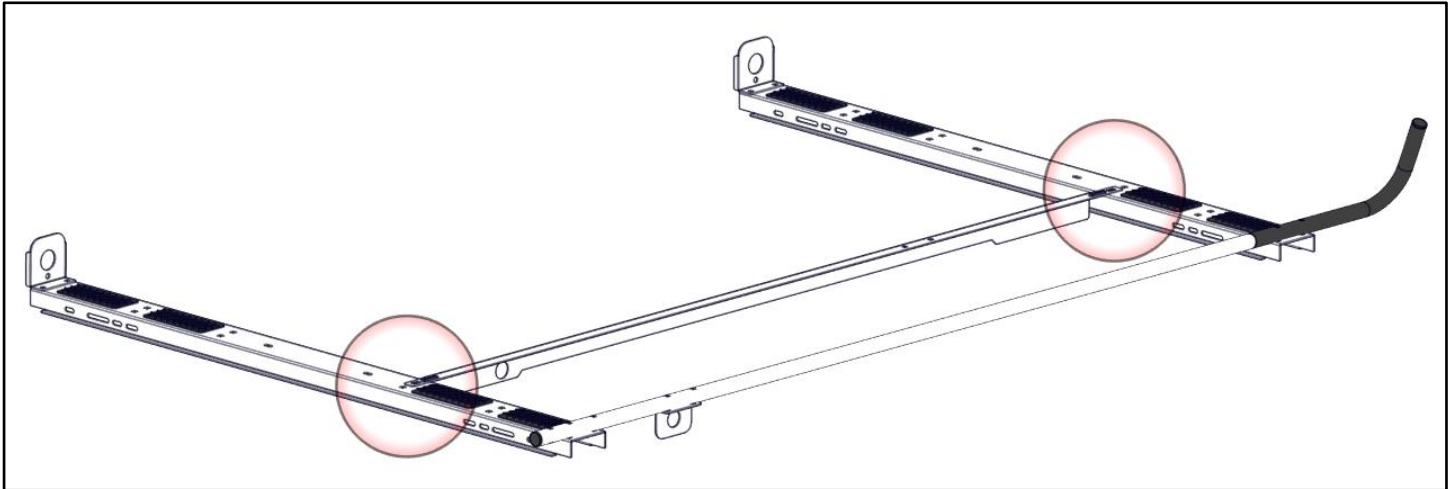
Step 3 Continued – Mount Side Tube

- Mount hangar bracket as shown below. Be sure to have the bracket flange towards the inside of the bows. Use two 5/16" x 2" carriage bolts, 5/16" flat washers and 5/16" nyloc nuts.

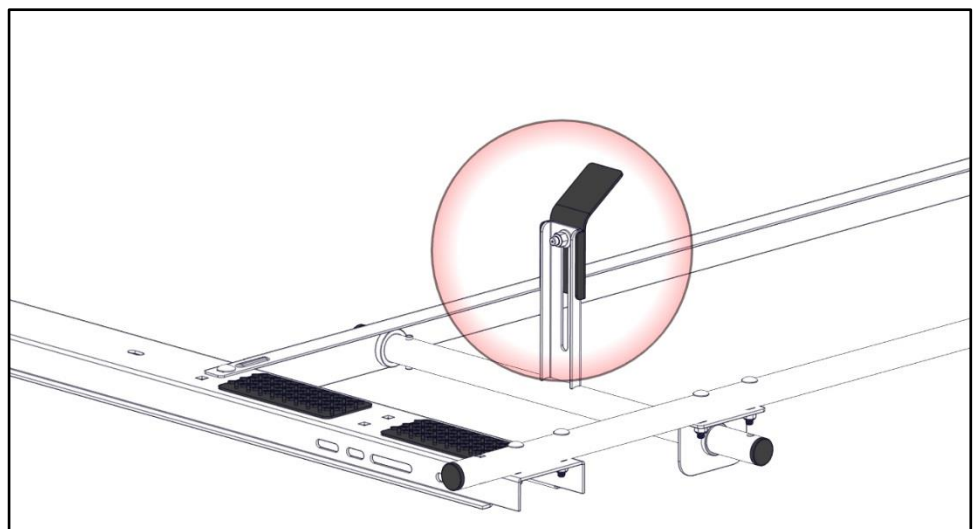


Step 4 – Mount Clamp Tube

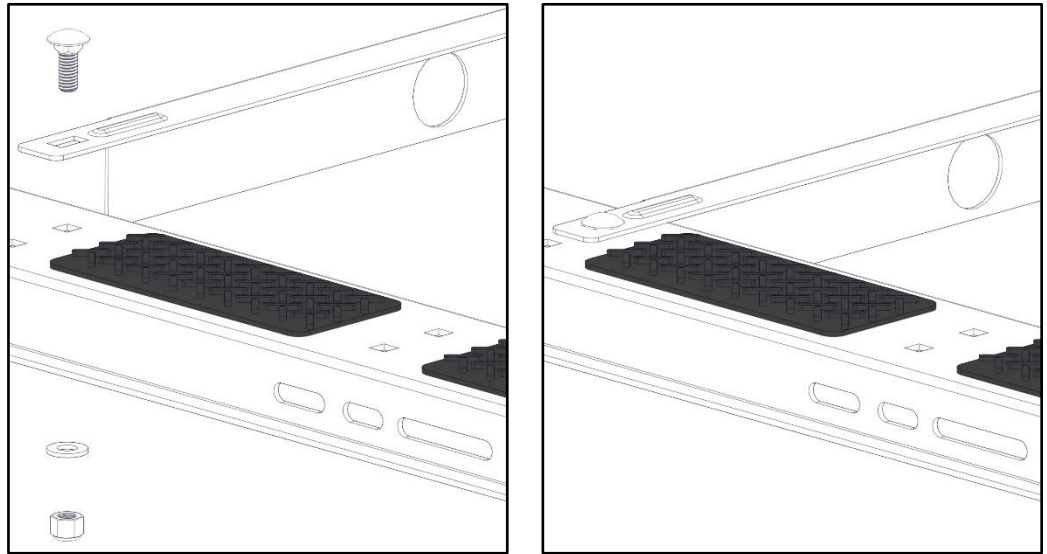
- Place “L” bracket on top of installed bows.
- Insert plastic bushings into the clamp and lock L bracket and the hanger bracket installed in Step 3, with flanges toward each other and to the inside as shown.
- Be sure to install the bushings in an orientation so they CAN NOT fall out.
- Insert clamp tube into both plastic bushings.



- After Installation, adjust clamp on clamp tube to fit firmly against your ladder.



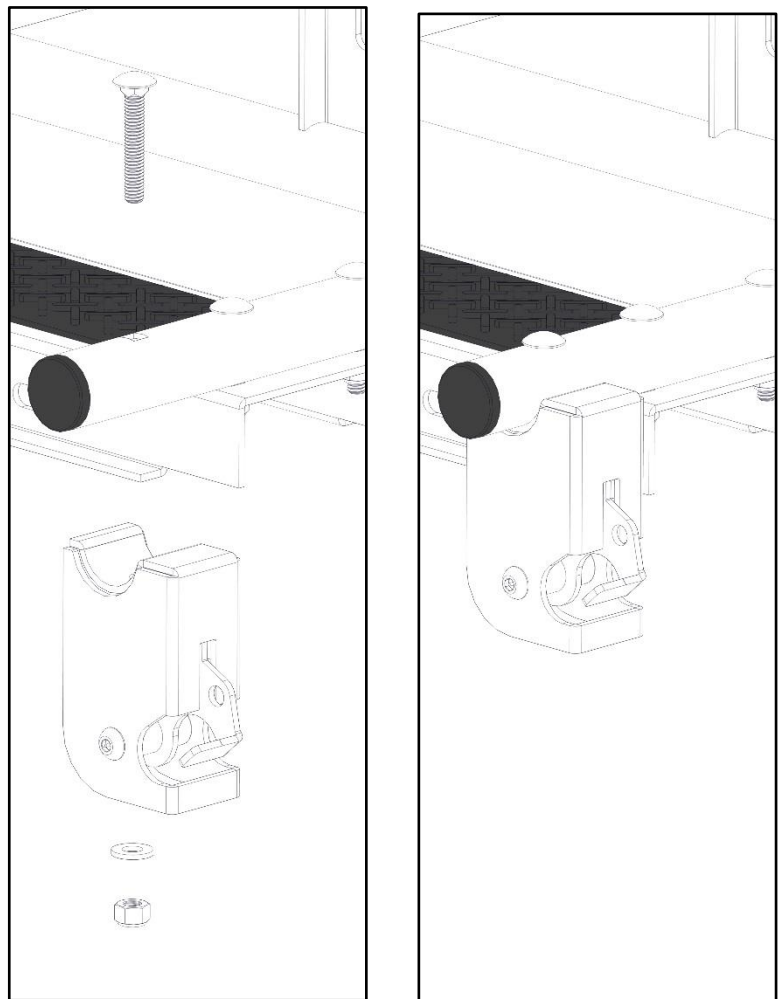
- Bolt clamp and lock L bracket to bows using 3/8" x 1" carriage bolt, 3/8" flat washer and a 3/8" nyloc as shown.
 - Repeat on both bows.
- TIGHTEN



Step 5 – Mount Latch Assembly

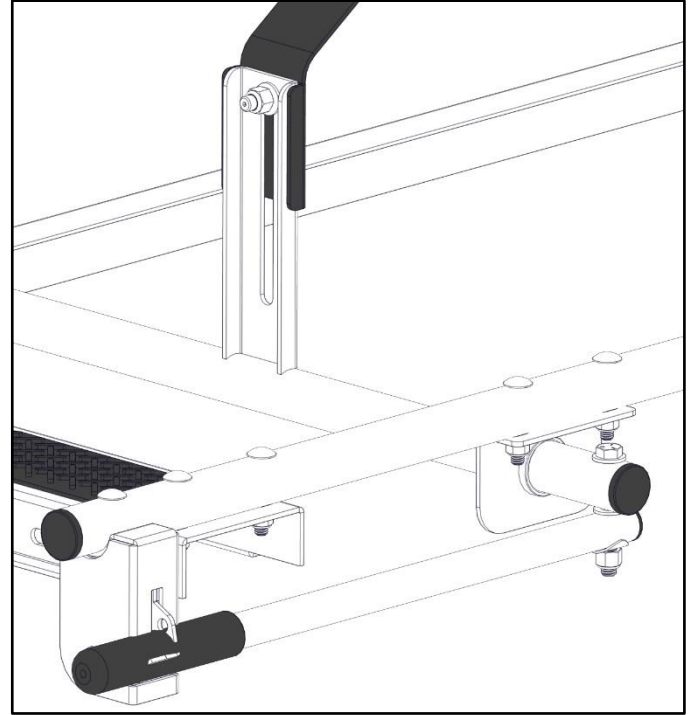
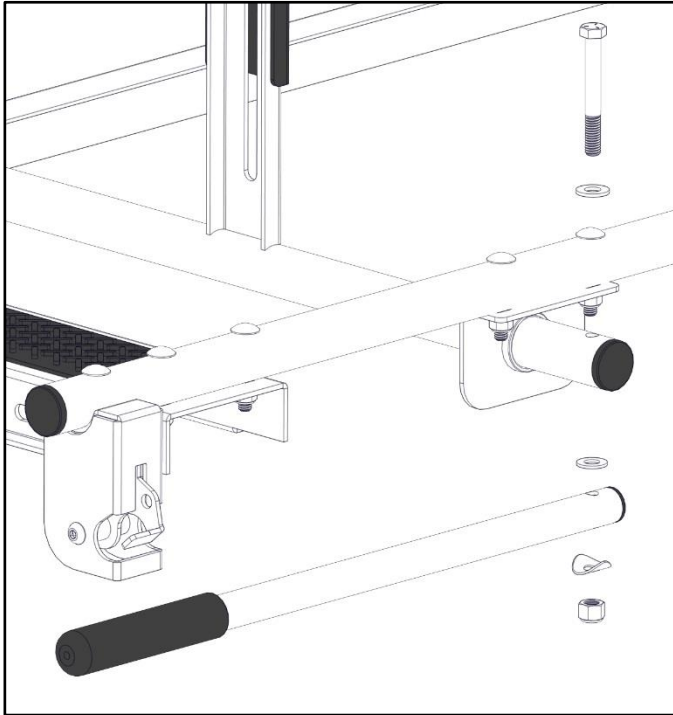
- Bolt latch to the rear of the mount tube that was installed in Step 3 using 5/16" x 2" carriage bolt, 5/16" flat washer and a 5/16" nyloc.

TIGHTEN



Step 6 – Mount Handle

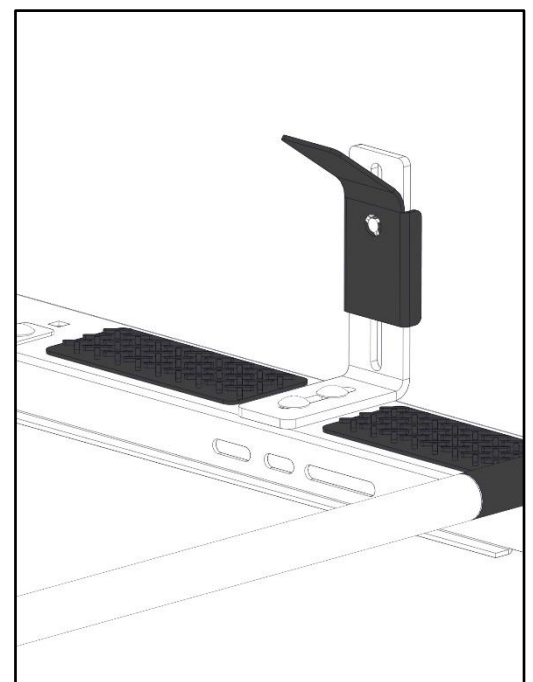
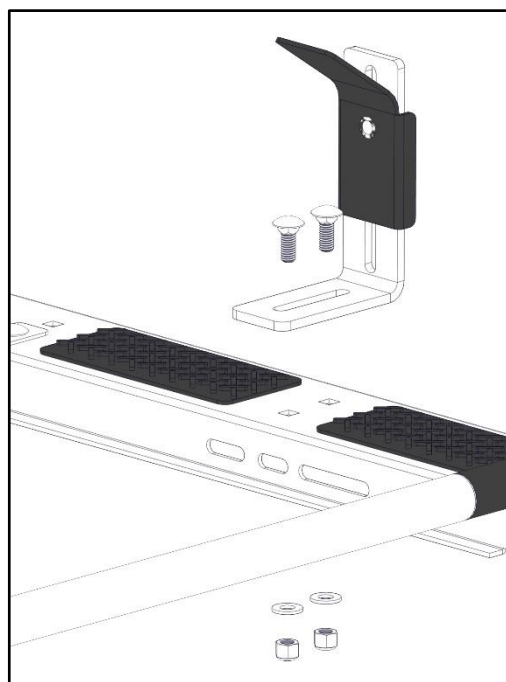
- Bolt handle to clamp tube using a 3/8" x 3" hex head, a 3/8" flat washer, 3/8" nylon washer, a 3/8" curved washer and 3/8" a nyloc. The nylon washer goes in between the clamp tube and handle. The curved washer goes between the handle and the nyloc nut as shown.
- TIGHTEN



Step 7 – Mount Ladder Hook Bracket to Bow

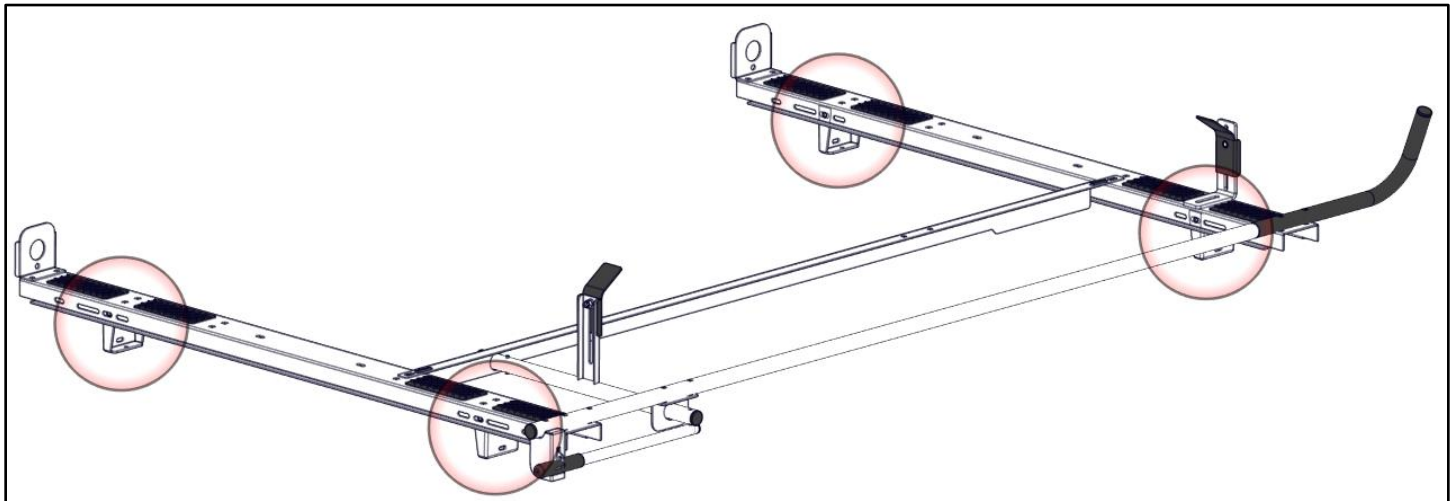
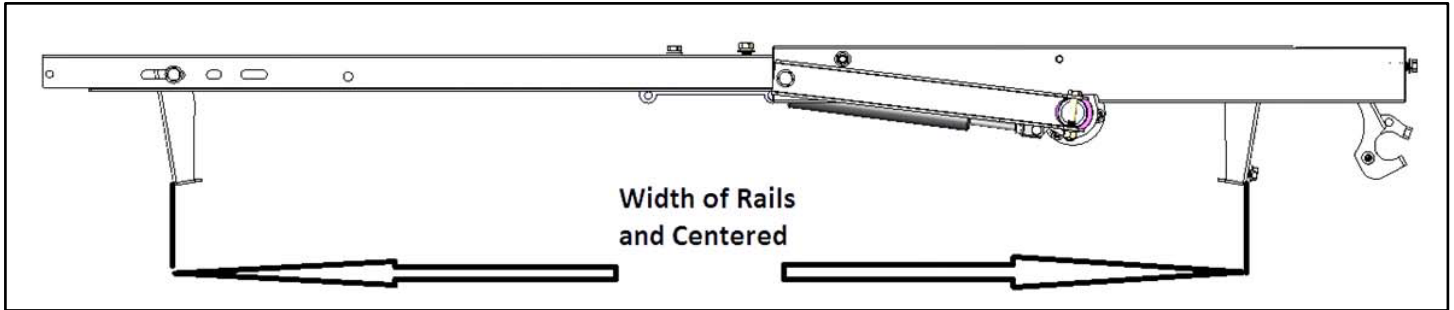
- Bolt ladder hook bracket to the bow in the orientation shown using two 3/8" x 1" carriage bolts, a 3/8" flat washers and a 3/8" nyloc nuts. Be sure the bracket is square to the bow.
- Adjust clamp on bracket to fit firmly against your ladder.

TIGHTEN

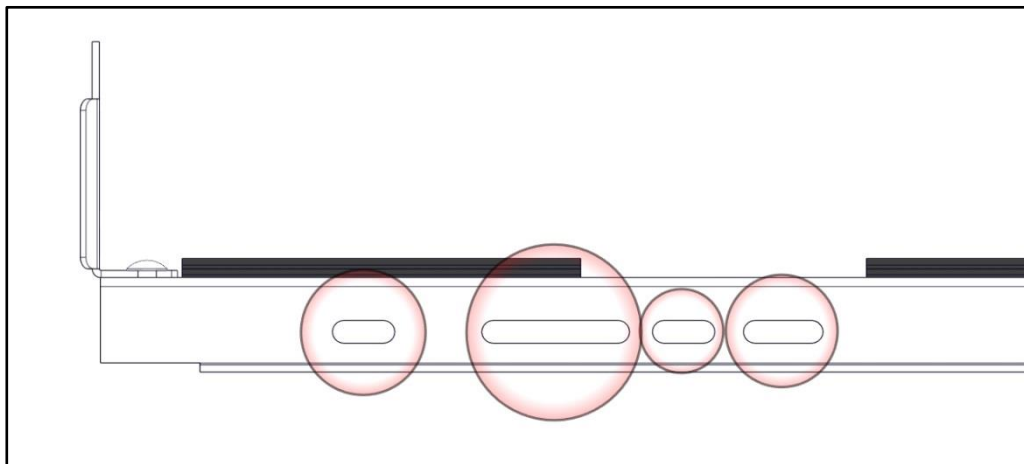


Step 8 – Install Feet

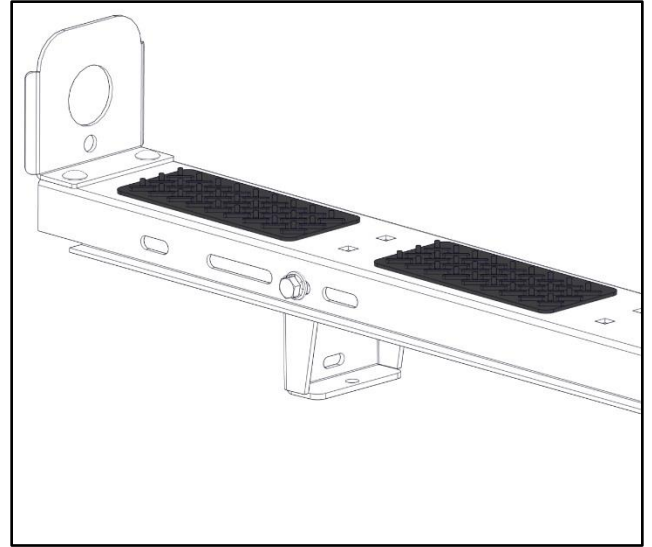
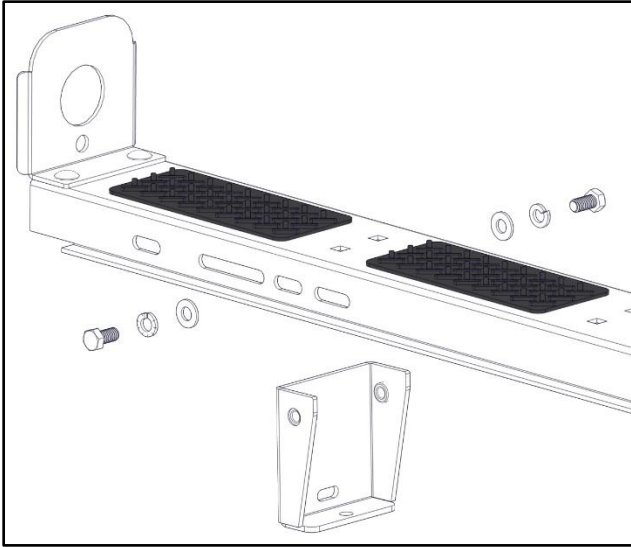
- Measure width between mounting locations.



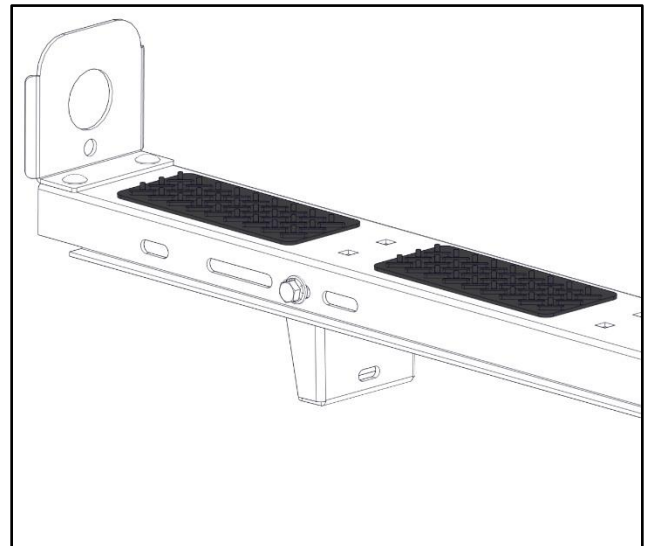
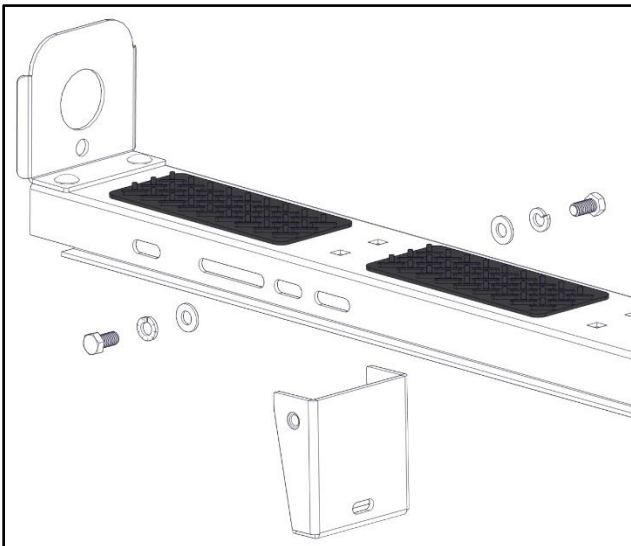
- On the cross bows, use the slots that correspond to the measured distance between rails.



- Use 3/8" x 3/4" hex head bolts, 3/8" lock washers and a 3/8" flat washers to bolt foot to crossmember.
- Bolt feet to bows as shown, DO NOT TIGHTEN at this point.



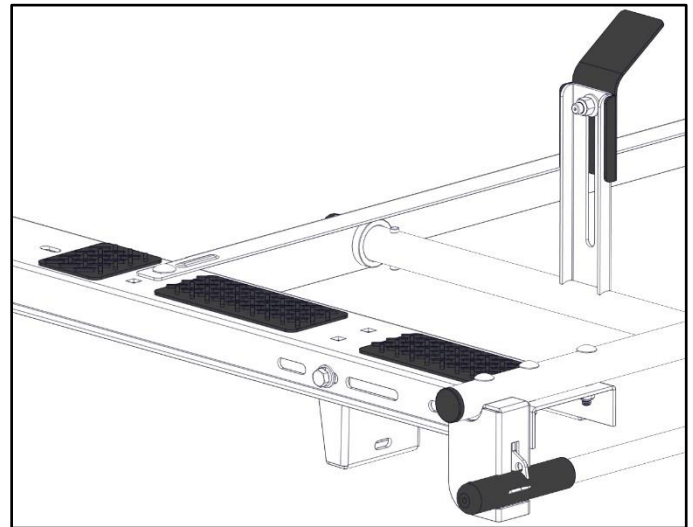
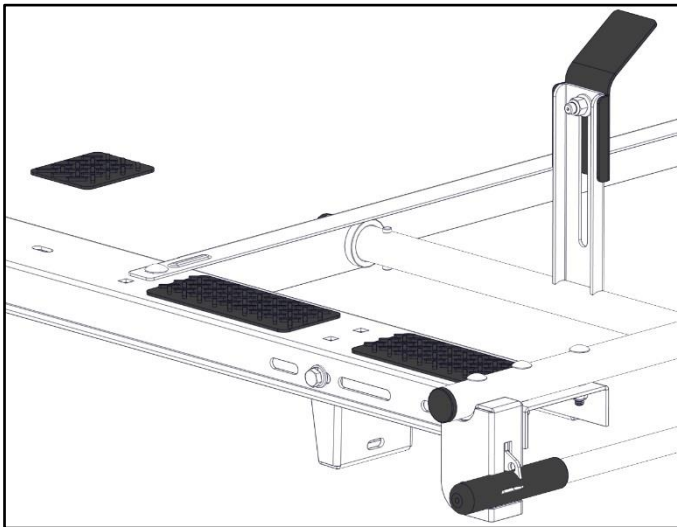
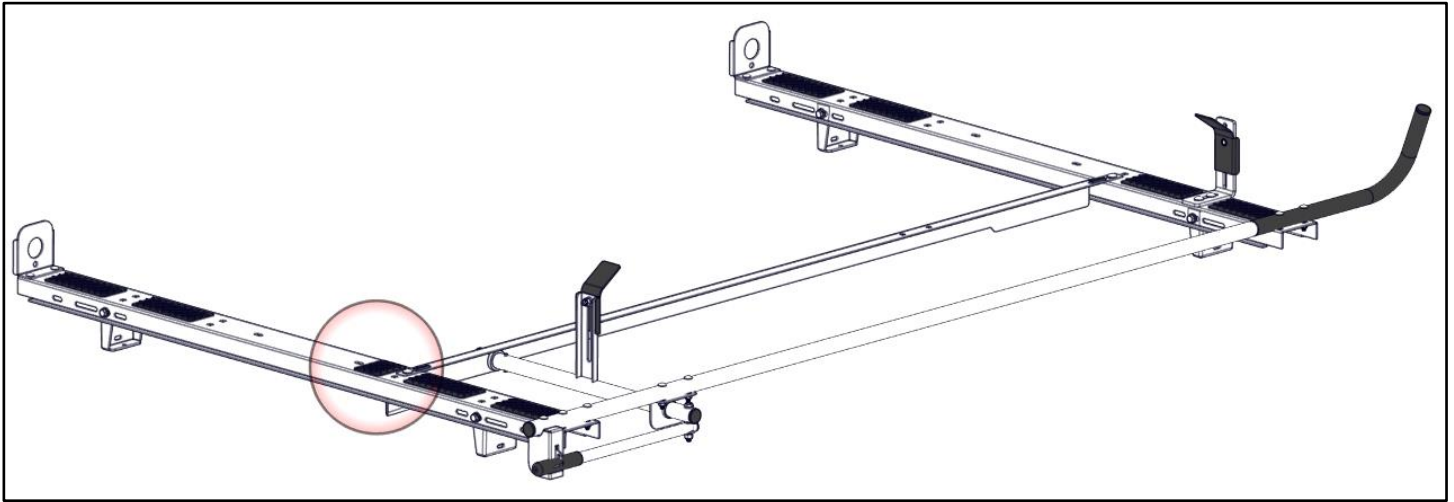
- Feet can be installed as shown above or reverse depending on the roof mounting.



- Snug Tighten, but allow movement.

Step 9 – Install Extra Pad

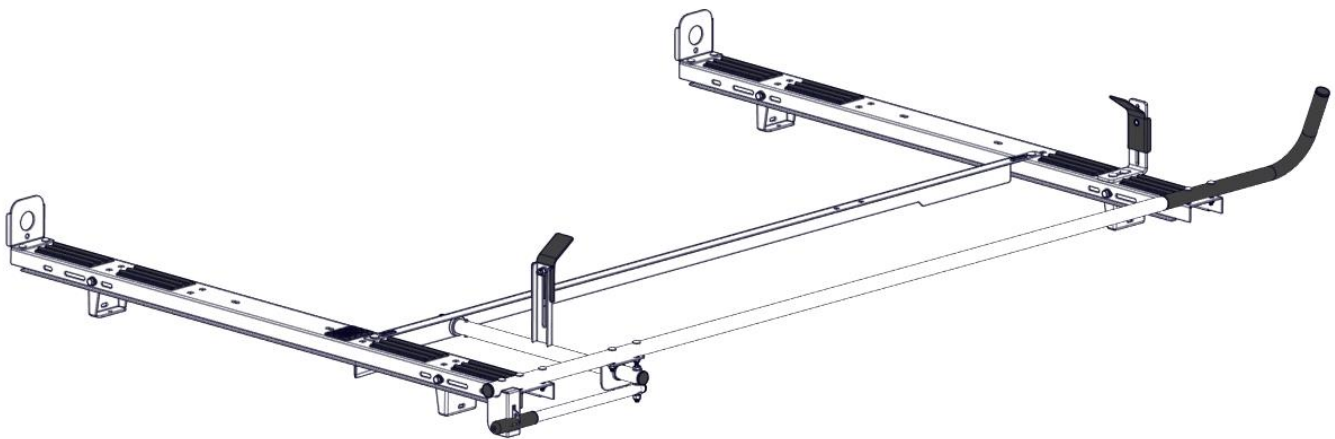
- Adjust clamp on bracket to fit firmly against your ladder.
- If ladder rests on cross bow, place extra rubber bumper to avoid scratching on ladder rack.



GO BACK AND ENSURE ALL HARDWARE IS TIGHT
Your installation is now complete.

BE SURE LADDER IS SECURE PRIOR TO TRANSPORTATION

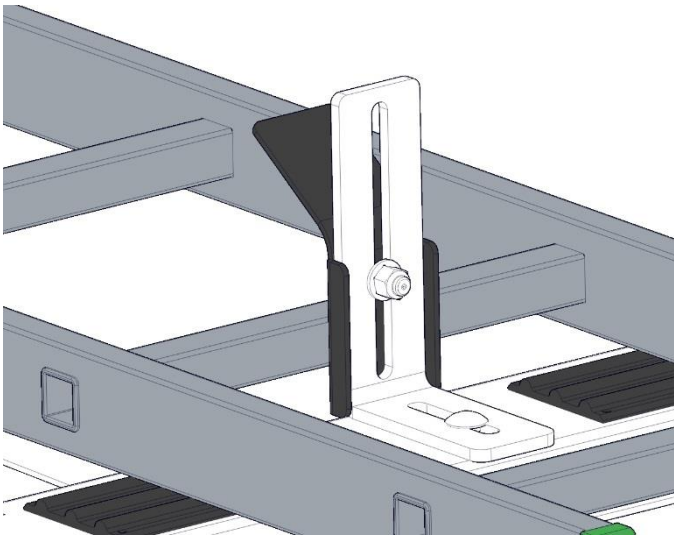
ADJUST LADDER STOPS TO FIRMLY PRESS AGAINST
LADDER IN ALL SITUATIONS



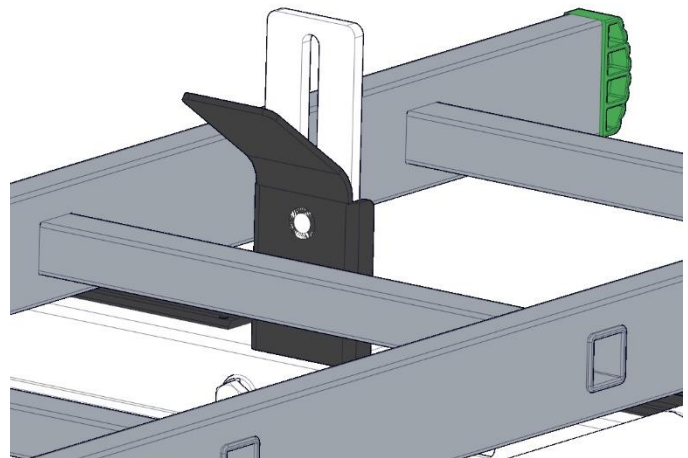
Examples of Ladder Clamps Firmly Against Ladder Rungs

- Use steps 2 and 3 to find the best orientation of how the ladder hook should be orientated. The ladder hook should be positioned in a way so the hook clamps the ladder tight into place. A tight fit ensures the ladder can not fall off the rack.

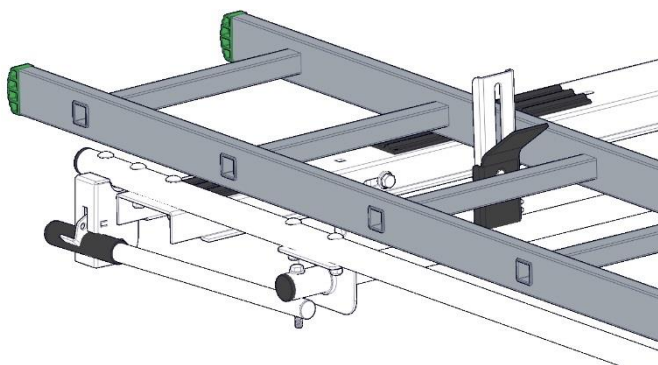
****BE SURE THE LADDER HOOK (black) IS FIRM AGAINST THE TOP LADDER STEP (gray) or RUNG****



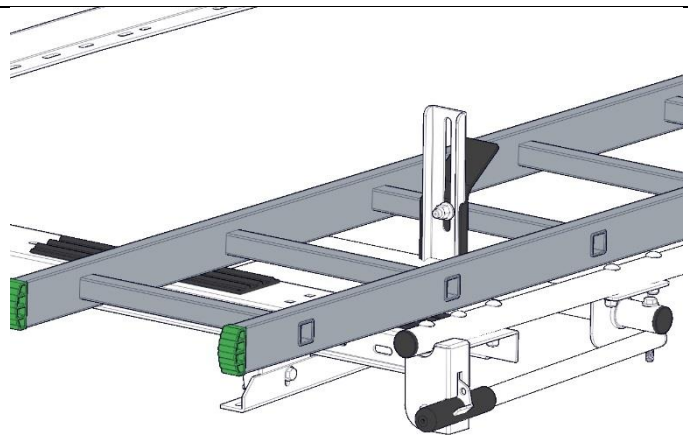
Step Ladder Front of Vehicle



Step Ladder Front of Vehicle



Step Ladder Rear of Vehicle



Step Ladder Rear of Vehicle

****The orientation may differ depending on ladder size and type. Once the orientation and position of the ladder hook is determined, install ladder. Ensure the ladder can not come loose on top of the rack****