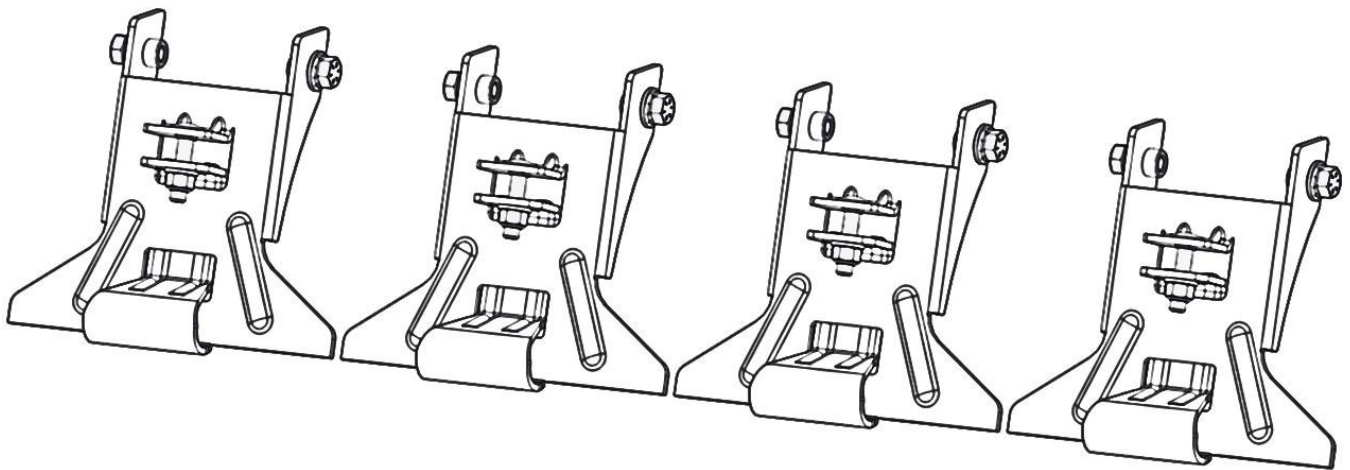


Holman

Installation Guide 408CC



Holman
Rancho Cordova, CA 95742
800-343-7486
InstallationSupport@Holman.com

PLEASE READ ALL INSTRUCTIONS AND WARNINGS PRIOR TO ASSEMBLING, INSTALLING, AND USING THIS PRODUCT.

Warning



Always check for wires, fuel tanks and lines, brake lines and other important vehicle functionality items prior to drilling and installing all products.



DO NOT EXCEED MANUFACTURERS WEIGHT CAPACITY FOR ROOF.

Tools Needed

1/2" Socket and Wrench	9/16" Socket and Wrench
------------------------	-------------------------

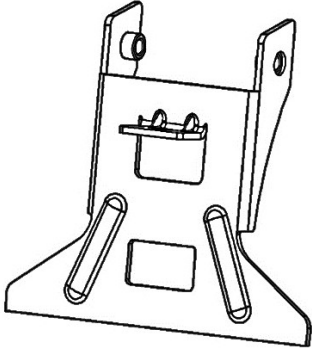
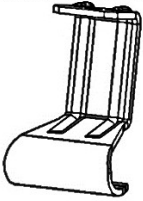
Table of Contents

Parts List	2
Hardware	2
Step 1 – Foot Attachment.....	3
Step 2 – Attach to Rain Gutter	4
Rack Height Adjustment	5

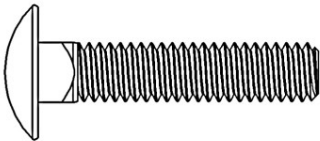

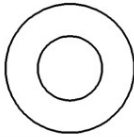
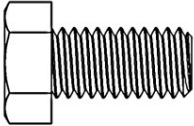
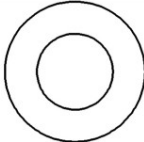
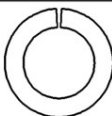
Before You Begin

- Read all instructions prior to assembling or installing any Holman product.
- Have ladder rack ready to be installed on van.

Parts List

NO.	ITEM	PART NUMBER	DESCRIPTION	QTY.
1		40800-12	VAN MOUNTING BRACKET ASM	4
2		11-02085	GM GUTTER CLAMP	4
3		18-4081C	HARDWARE KIT	1

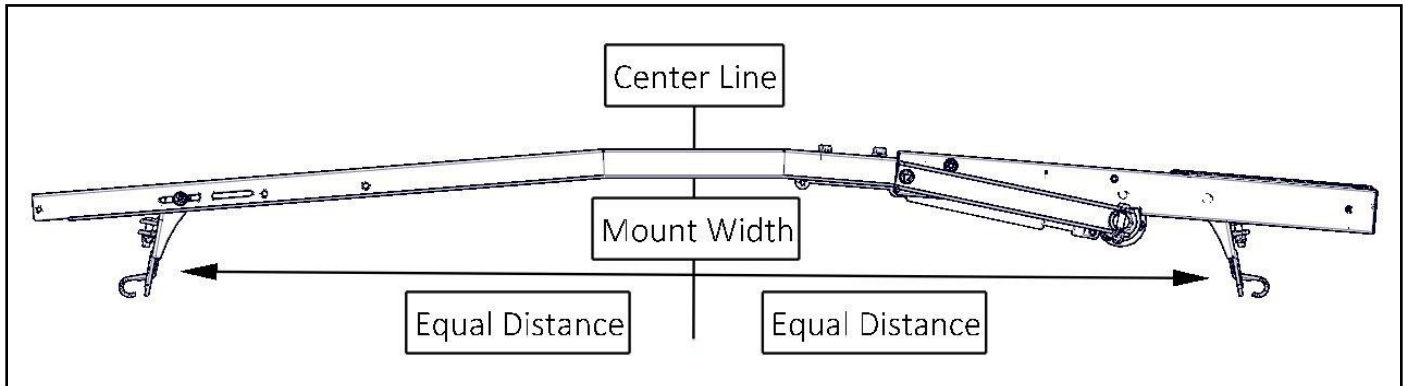
Hardware

ITEM	HARDWARE TO SCALE	PART NUMBER	DESCRIPTION	QTY.
1		21813	5/16"-18 X 1-1/2" CARRIAGE BOLT	4
2		0169777	5/16"-18 LOCK NUT	4
3		33080	5/16" WASHER	4
4		11241196	3/8"-16 X 3/4" HEX HEAD BOLT	8
5		11541089	3/8" WASHER	8
6		0123496	3/8" SPLIT LOCK WASHER	8

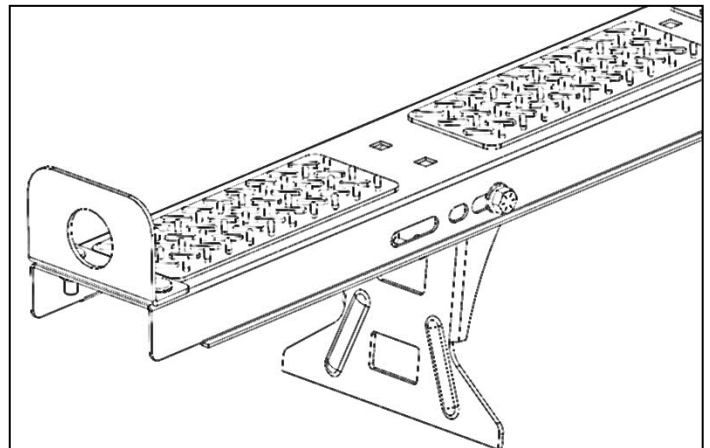
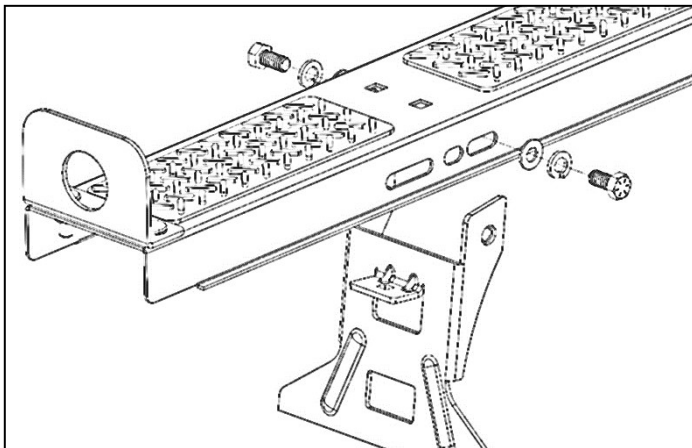
DO NOT EXCEED MANUFACTURERS WEIGHT CAPACITY FOR ROOF

Step 1 – Foot Attachment

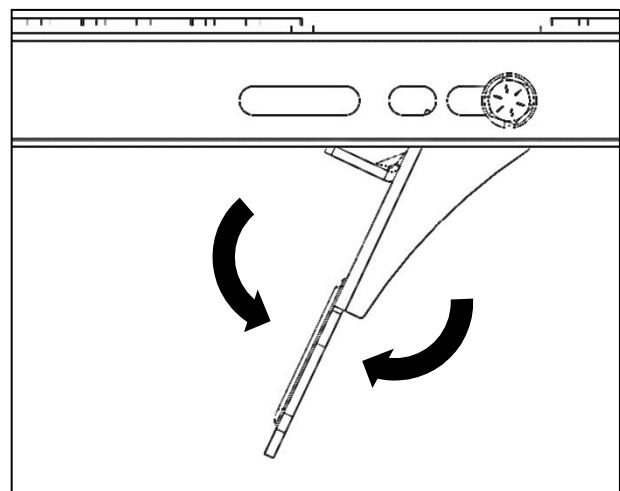
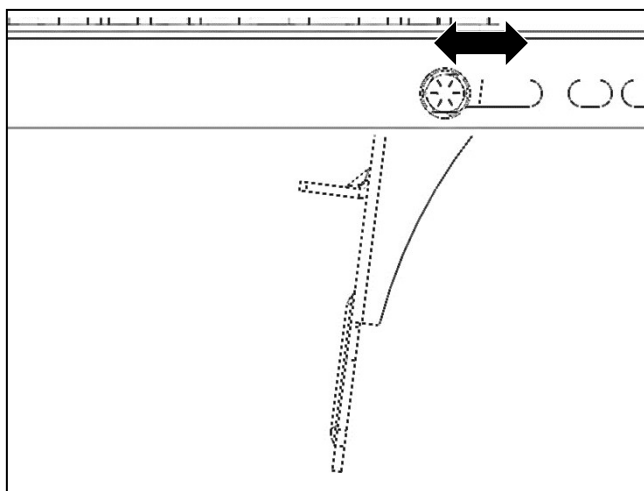
- Measure width of rain gutter on van, front and rear, typically they differ.
- Approximately at that width measured from the rain gutter attach mounting bracket as shown. Be sure there is an equal distance from the center of the cross bow to each foot.



- Attach van mounting bracket on each bow using 3/8" x 3/4" hex bolts with lock washers and flat washers as shown.
- Leave loose until you set the assembly onto the vehicle. Most vans rain gutter is wider at front of vehicle.

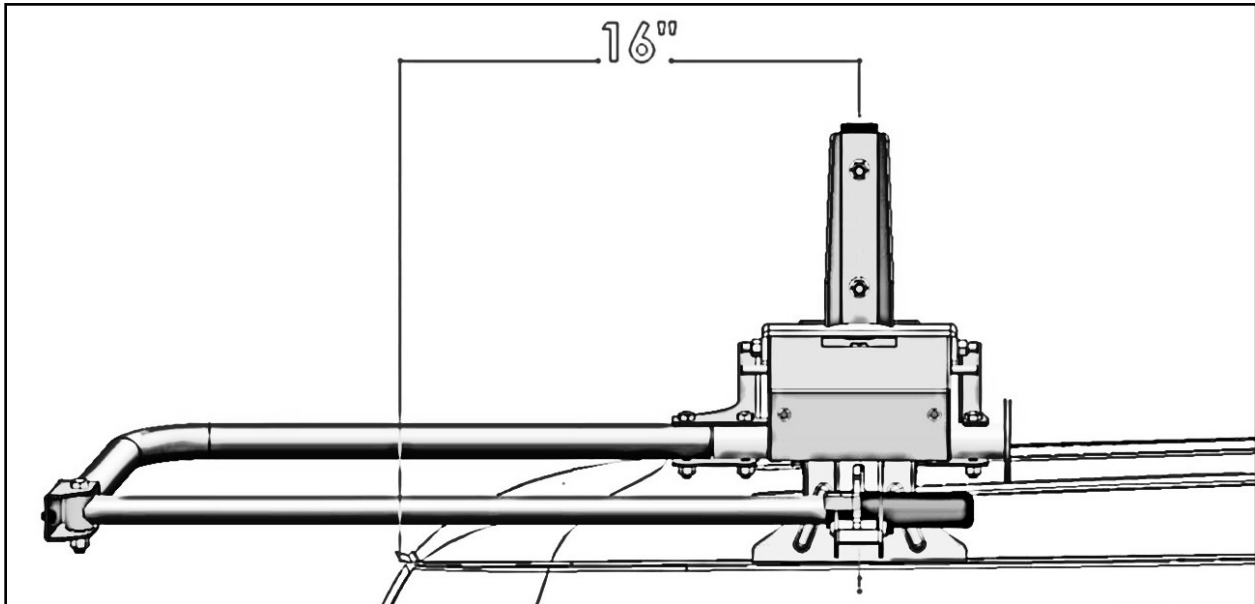


- Foot can be adjusted inward and outward, as well as angled, as slot allows.

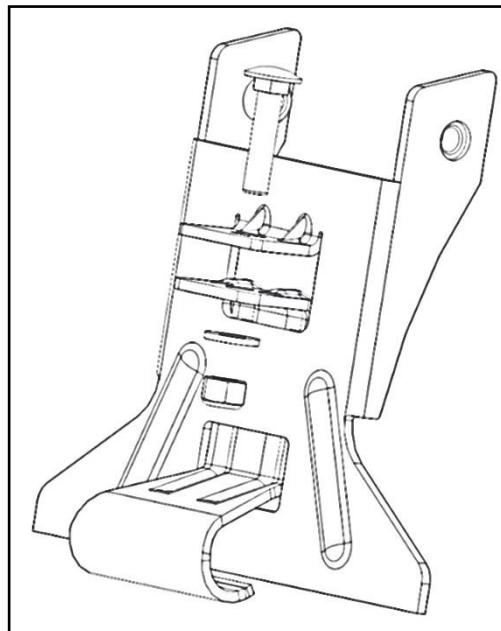
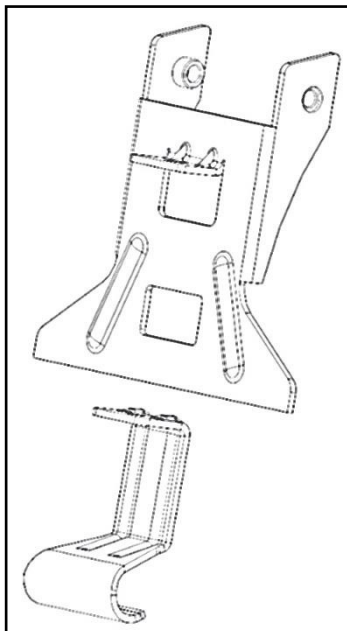


Step 2 – Attach to Rain Gutter

- Place rear bow assembly at rear of van, approximately 16" from rear of van.



- Insert gutter clamp through mount foot.
- Fasten gutter clamp to foot using a 5/16" x 1-1/2" carriage bolt, a 5/16" flat washer and a 5/16" lock nut.
- Be sure the rear bow assembly is secure, but can still be moved front to rear.



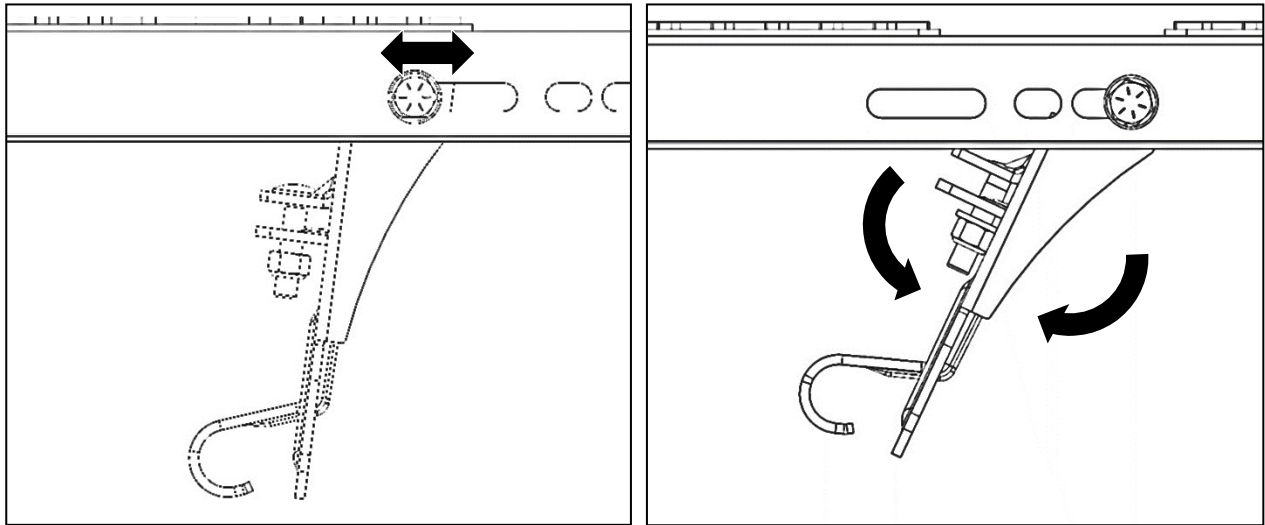
- Place front bow onto roof of van.
- Measure to make sure the front and rear bow are equal distance from each other on both the driver and passenger side of van.
- Once both sides are square and equal distance from each other, TIGHTEN.
- Repeat on all four corners of van.

GO BACK AND ENSURE ALL HARDWARE IS TIGHTENED.

ASSEMBLY IS COMPLETE

Rack Height Adjustment

- Place padding beneath the rack to keep the rack from scratching the roof.
- Loosen the 3/8" x 3/4" hex bolts to each side of bow on the same side vehicle.
- Loosen the 5/16" x 1-1/2" carriage bolts at each end connecting Chevy clamp to foot.
- Be sure to keep gutter mount lightly clamping gutter.
- Adjust angle of foot until rack is at desired height.



GO BACK AND ENSURE ALL HARDWARE IS TIGHTENED.

ADJUSTMENT IS COMPLETE.