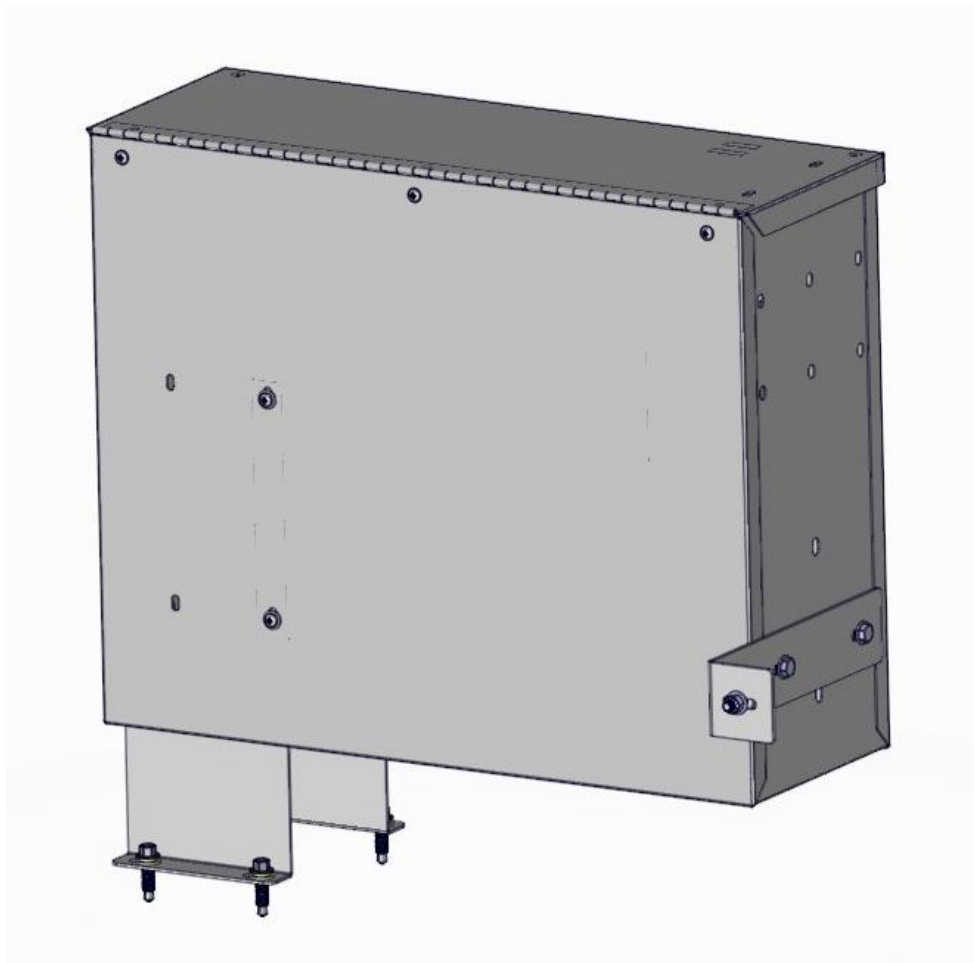




WE PUT EVERYTHING WITHIN REACH.

Installation Guide



Kargo Master
Rancho Cordova, CA 95742
800-343-7486
CustomerService@KargoMaster.com

***PLEASE READ ALL INSTRUCTIONS AND WARNINGS PRIOR TO ASSEMBLING,
INSTALLING AND USING THIS PRODUCT***



Warning

Always check for wires, fuel tanks and lines, brake lines and other important vehicle functionality items prior to drilling and installing all products.

Tools Needed

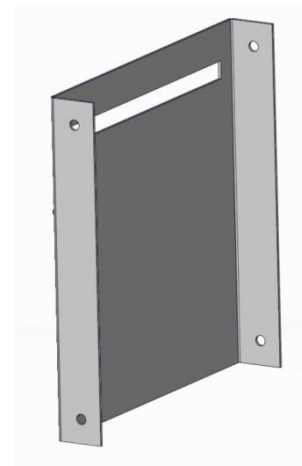
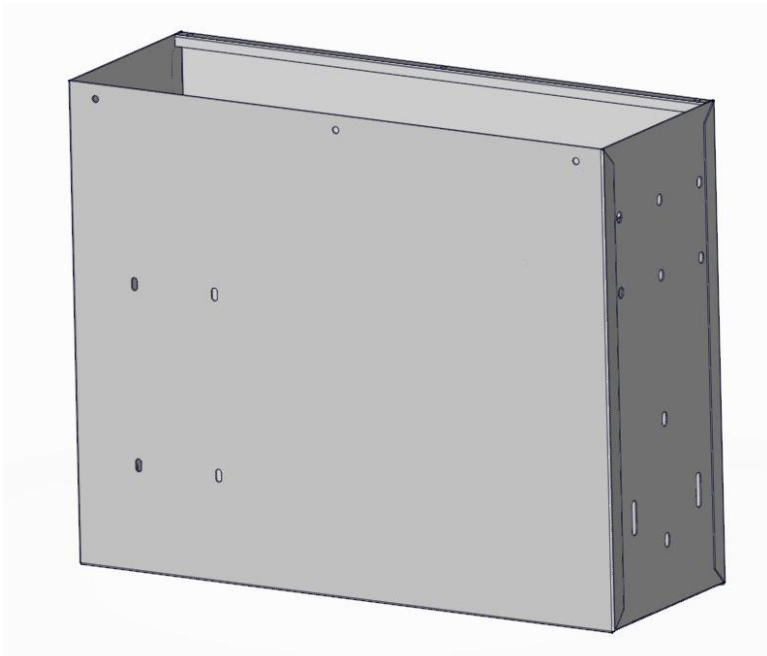
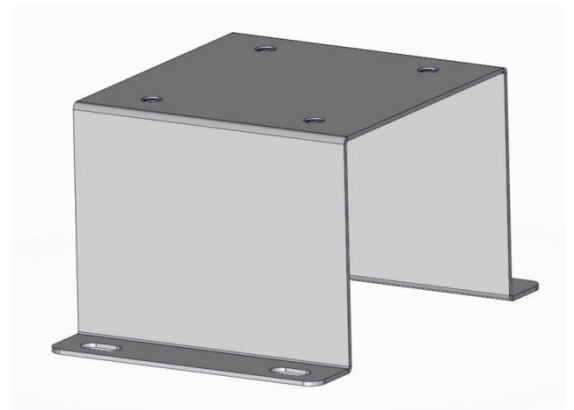
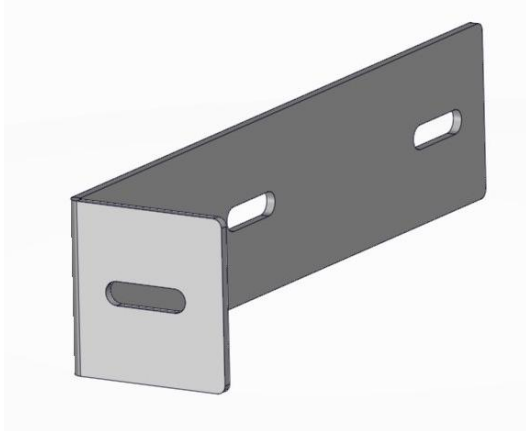
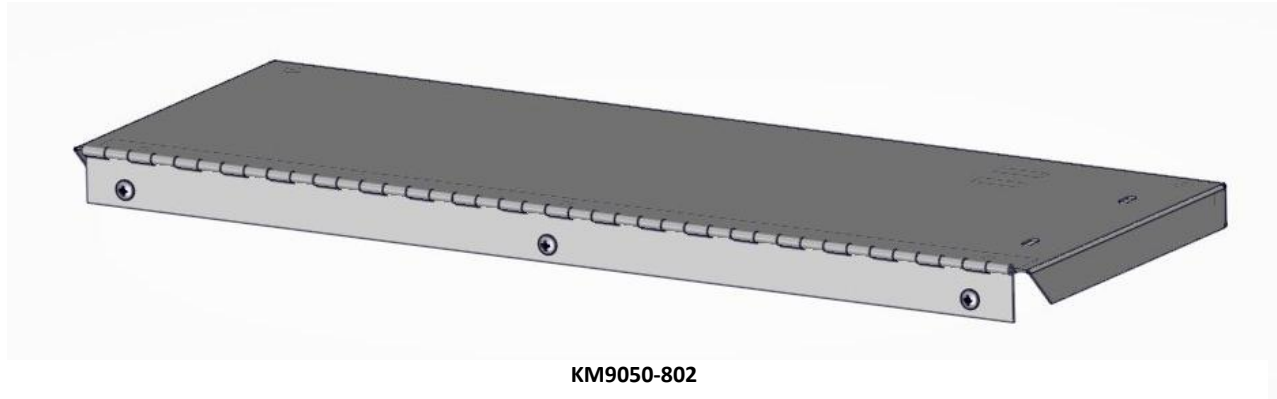
- 1/2" Socket and Wrench
- 7/16" Socket and Wrench
- 3/8" Socket and Wrench
- 11/32" Socket and Wrench
- 3/32" Allen Wrench
- #2 Phillips Drive
-
-
-
-

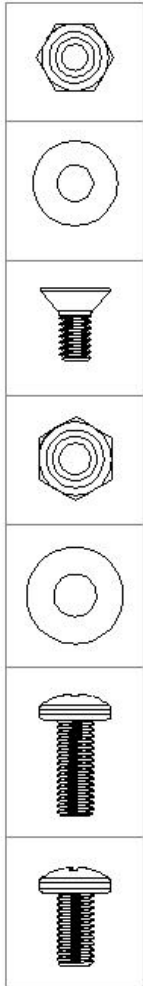
Table of Contents

Parts List	3
Hardware List	4-5
Main File Holder Assembly	6
Ford Transit Installation	7
Promaster Installation	9

Before You Begin

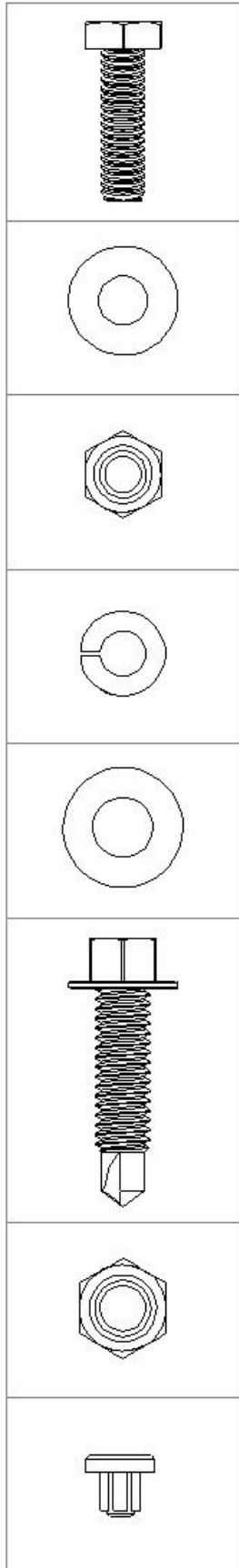
- Be sure to check the back side prior to drilling or screwing anything into the vehicle. If not positioned correctly, some drills and screws can hit wires and important vehicle parts.





#	PART NUMBER	Description	QTY.
1	90631A009	8-32 Nyloc Nut	2
2	90126A512	#8 Flat Washer	2
3	91263A522	8-32 x .375 Phillips Countersunk Head Screw	2
4	90631A411	10-32 NYLOC Nut	4
5	90126A514	#10 Flat Washer	4
6	90272A829	10-32 x 0.5 Pan Head Screw	4
7	90272A827	10-32 x .375 Pan Head Screw w/ Loctite	3

Hardware to Scale

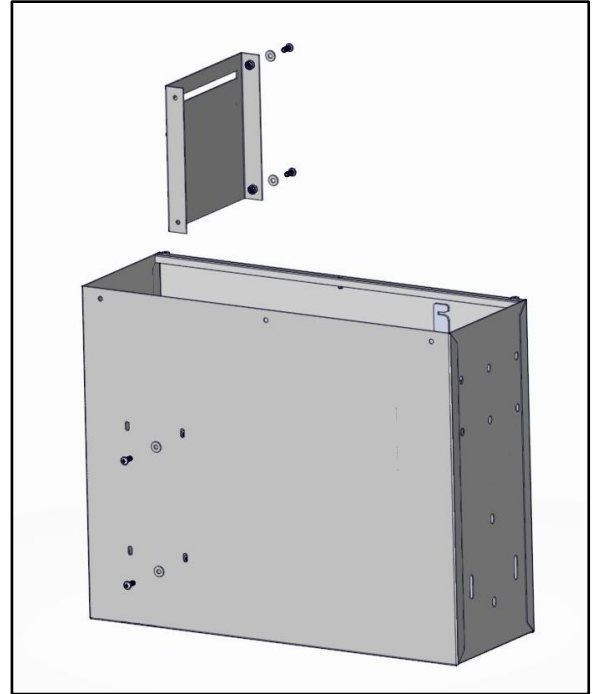
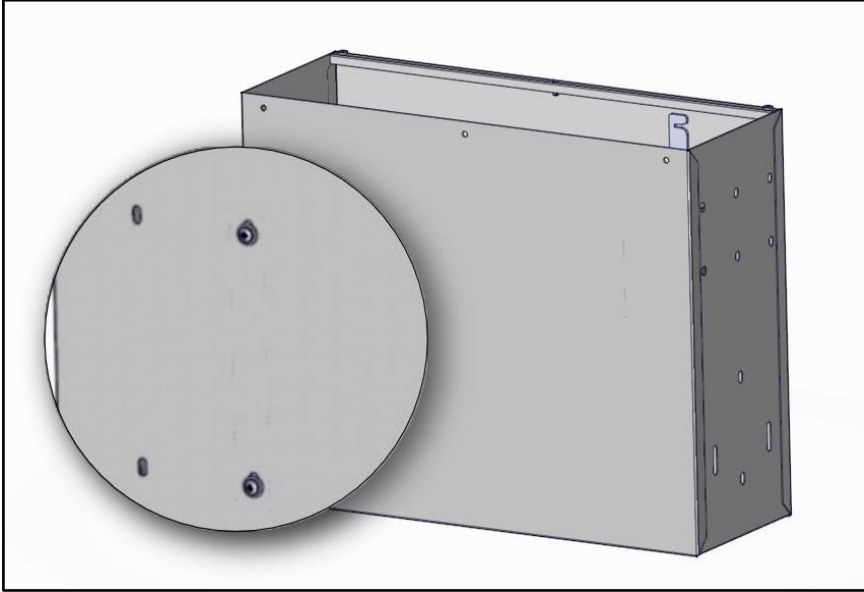


#	PART NUMBER	Description	QTY.
1	.25-20x.875 Hex Bolt	1/4"-20 x 7/8" Hex	5
2	.25 Flat Washer	90126A029	8
3	97135A210	1/4"-20 Nyloc Nut	3
4	.25 Lock Washer		2
5	.312 FLAT WASHER	5/16 Flat Washer	4
6	90064A709	5/16"-18 x 1.25" self tap screw	4
7	95615A160	5/16"-18 NYLOC Nut	4
8	Rubber Silencer		3

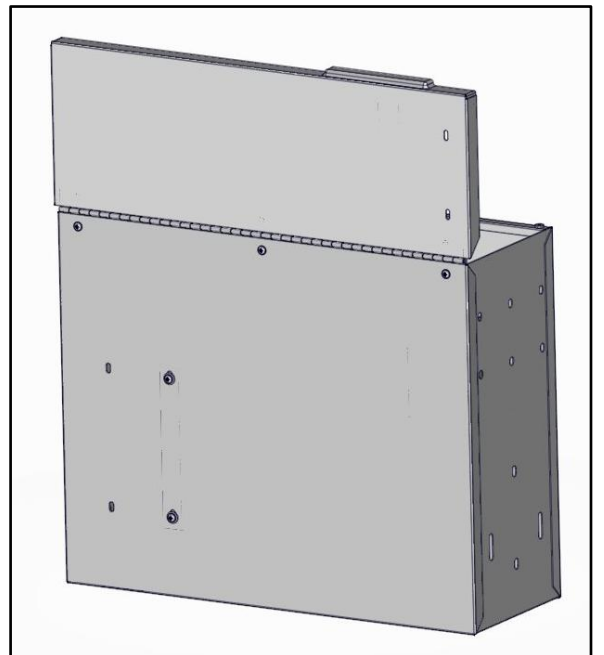
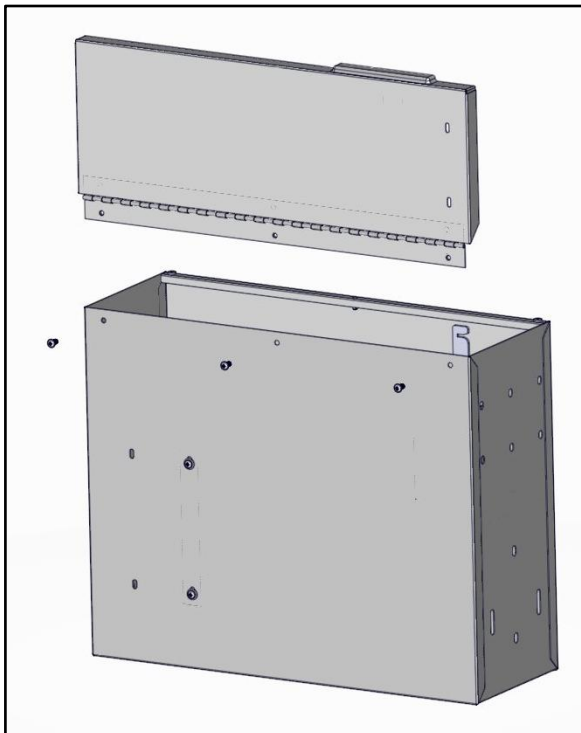
Hardware to Scale

Step 1

- Bolt File Support (KM9050-104) into Main File Holder (KM9050-804) using four 10-32 x 1/2" Pan Head Screws, four #10 Flat washer and four 10-32 Nyloc Nuts.
- We recommend to have the washer on the outside

***TIGHTEN****Step 2**

- Bolt Lid (KM9050-802) to Main File Holder using three 10-32 x 3/8" Pan Head Screws.

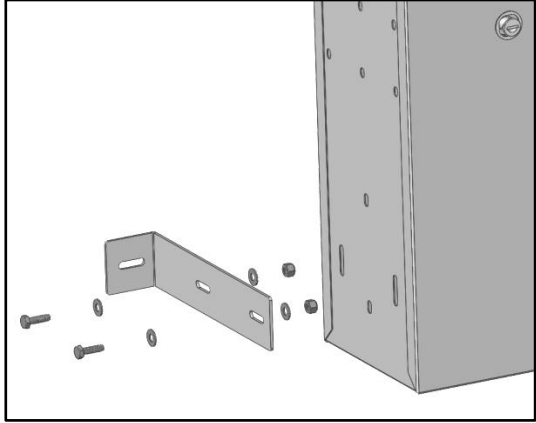
***TIGHTEN**

Installation Instructions for Ford Transit

Step 1

- Bolt bottom bracket to main assembly through the rear holes as shown. Use two 1/4" x 7/8" hex bolt, two 1/4" lock washers and two 1/4" flat washers.

***SNUG TIGHTEN**

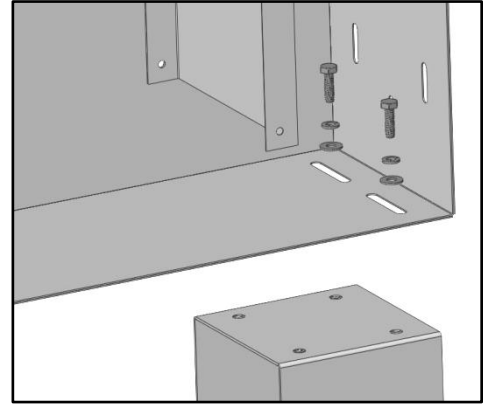


Step 2

- Bolt the front bracket to the front of the main assembly using two 1/4" x 7/8" hex bolt, four 1/4" flat washers and two 1/4" nyloc nuts.

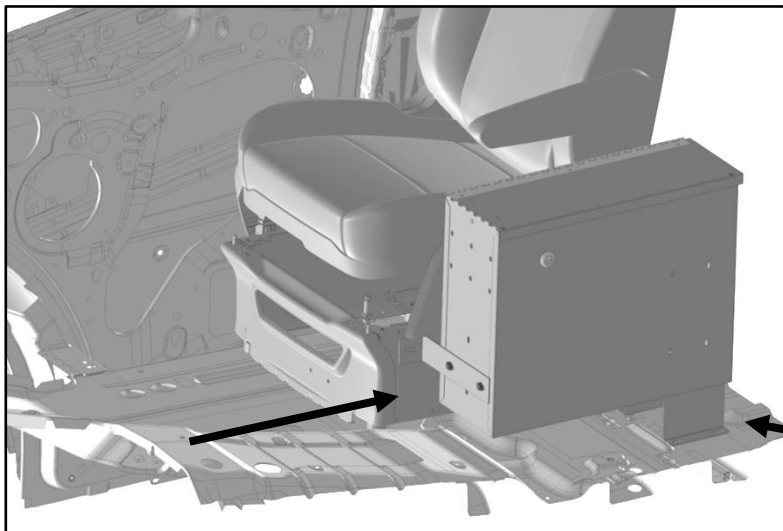
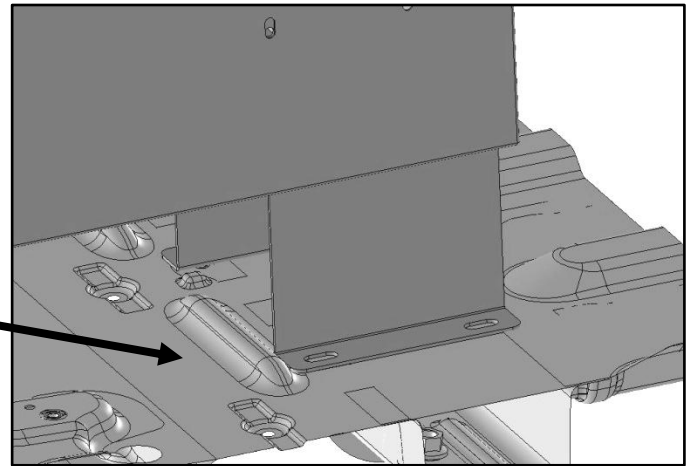
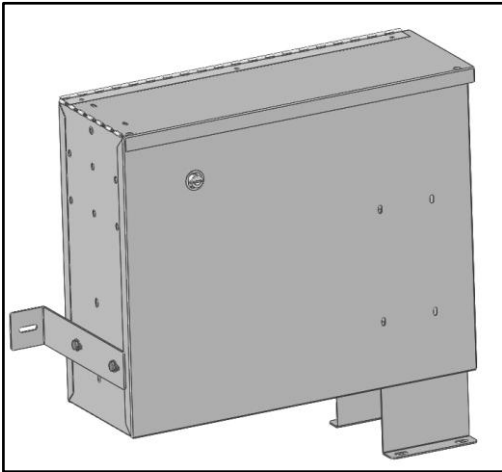
***SNUG TIGHTEN**

**** We recommend having bracket all the way towards the bottom of the slots.**



Step 3

- Place main assembly with mounting brackets into van. Put in between seats snug against the passenger side. Be sure to have the rear support bracket past the rear of the rib in the floor.



Step 4

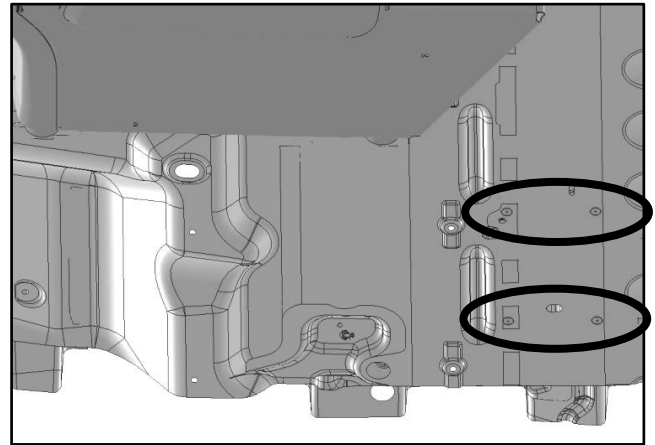
- Mark the slots in the rear bracket onto the mat or floor.
- On the side of the seat pedestal, mark the slot in the front bracket.
- Remove assembly with brackets

Step 5

- Remove rear support bracket from main assembly.
- Return to van, Place rear support bracket where you previously marked.
- Secure to floor using four 5/16" x 1.25" self tapping screws.

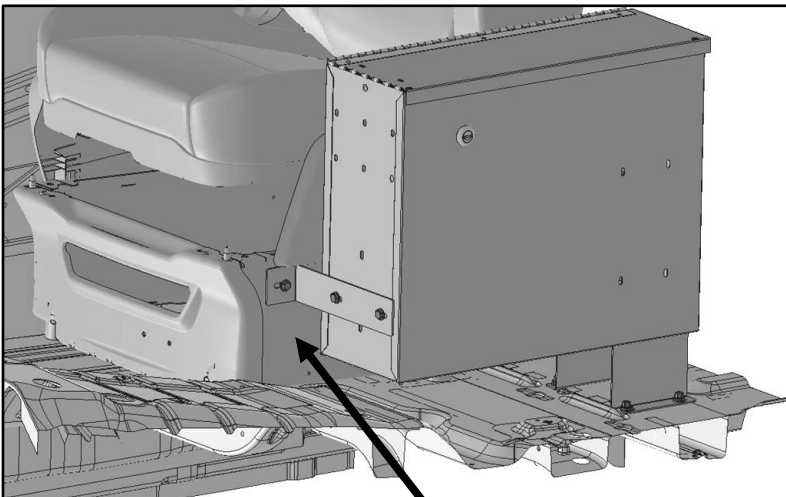
Step 6

- If desired, you can drill a clearance hole for a 1/4" bolt into seat pedestal where previously marked. Or you can wait and drill once the main assembly is placed back into van.

**Step 7**

- Place main assembly with front bracket back into van and bolt to previously installed rear support using two 1/4" x 7/8" hex bolt, two 1/4" lock washers and two 1/4" flat washers.

***SNUG TIGHTEN**

**Step 8**

- If hole is not drilled in seat pedestal mount, align bracket and do so now.
- Bolt front bracket to seat pedestal mount using a 1/4" x 7/8" hex bolt, two 1/4" flat washers and one 1/4" nyloc nut.

Step 9

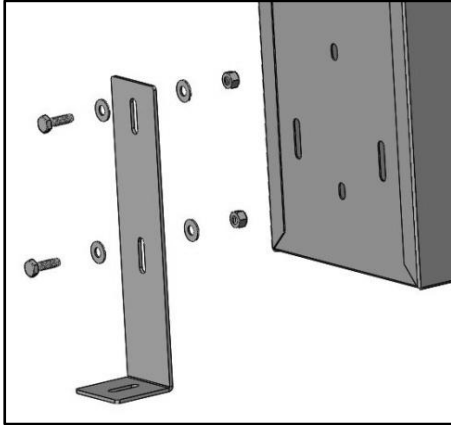
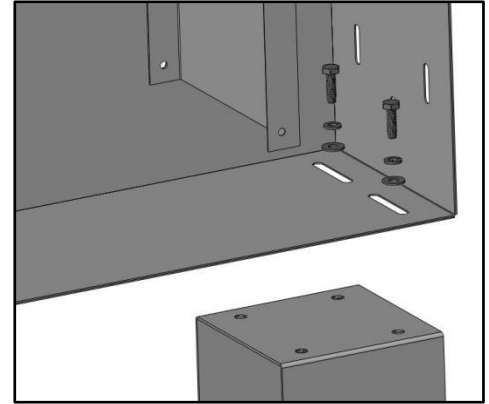
Align and square the driver data file. Go back and **TIGHTEN** all bolts. Your installation is now complete.

Installation in RAM Promaster

Step 1

- Bolt rear bracket to main assembly through the rear holes as shown. Use two 1/4" x 7/8" hex bolt, two 1/4" lock washers and two 1/4" flat washers.

***SNUG TIGHTEN**

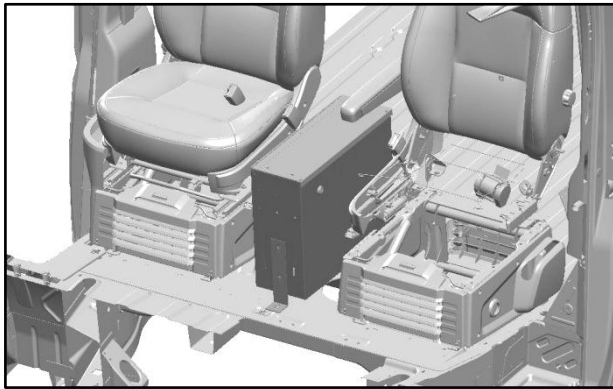
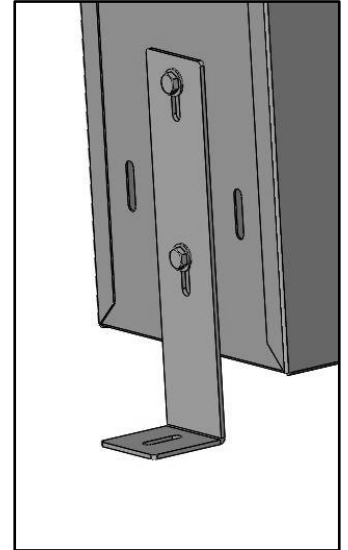


Step 2

- Bolt the front bracket to the front of the main assembly using two 1/4" x 7/8" hex bolt, four 1/4" flat washers and two 1/4" nyloc nuts.

***SNUG TIGHTEN**

**** We recommend having bracket all the way towards the bottom of the slots.**



Step 3

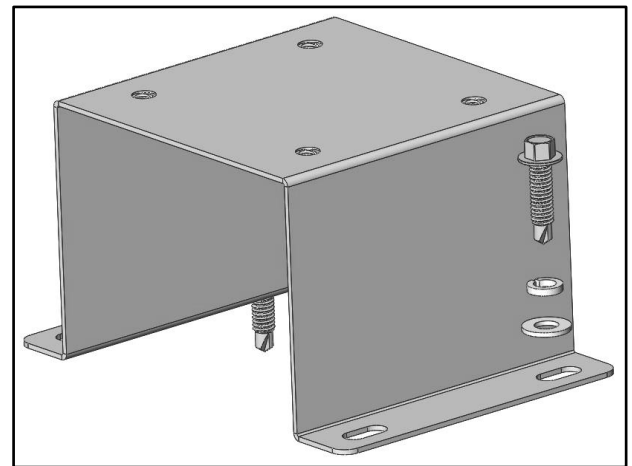
- Place main assembly with mounting brackets into van. Put in between seats. In the bottom bracket, mark the four slots onto the floor of the van. In the front bracket, Mark slot onto floor.
- Remove main assembly from van.

Step 4

- Check under the mat where previous slots were marked. Be sure to have slots located in a way that it does not interfere with anything important.

Step 5

- Remove rear support bracket from main assembly.
- Return to van, Place rear support bracket where you previously marked.
- Secure to floor using four 5/16" x 1.25" self tapping screws.



Step 6

- Place rest of driver data file back into van.
- Bolt to previously installed bottom bracket using 1/4" bolts.

Step 7

- Align and tighten all bolts from previous steps.
- Bolt front bracket to floor using a 5/16" x 1.25" self tapping screw.
- **Tighten**

Your installation is now complete.

