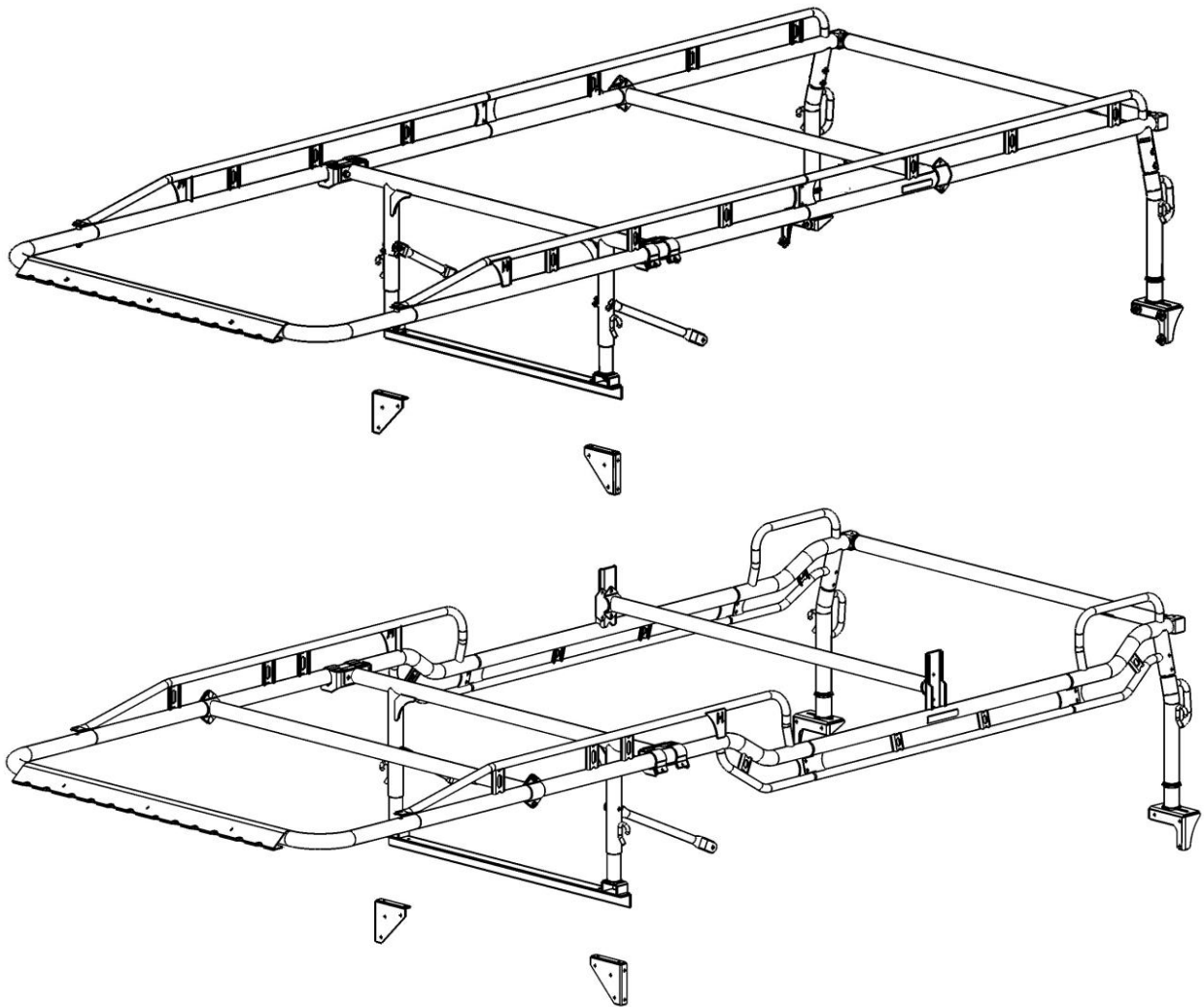


Holman

Assembly and Installation

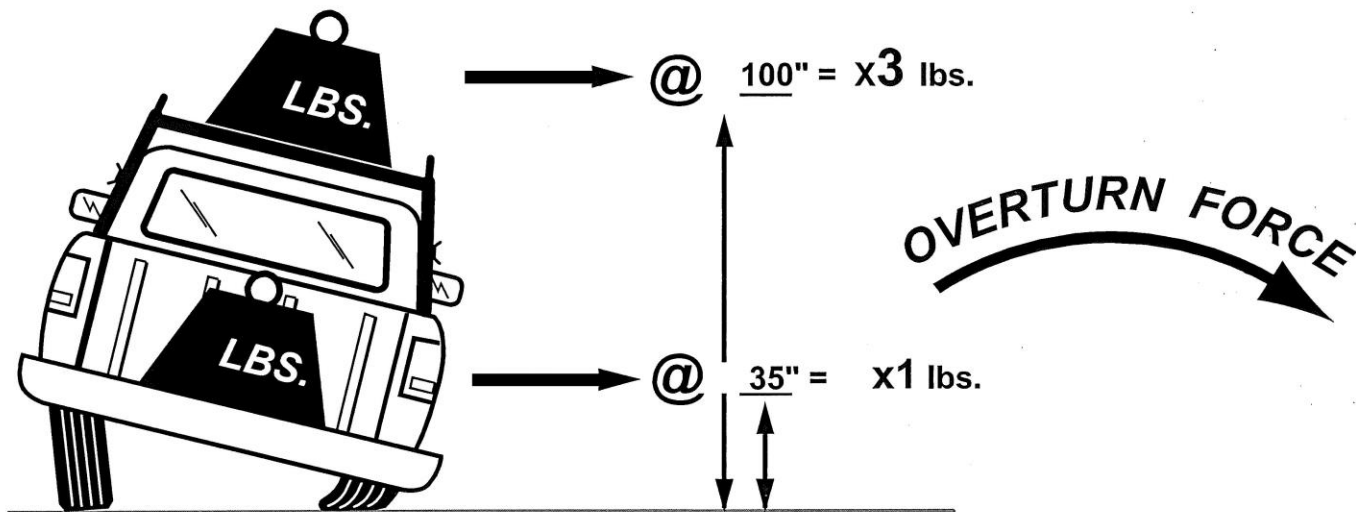
The Pro Rack

Service Body Rack



Holman
Rancho Cordova, CA 95742
800-343-7486
InstallationSupport@Holman.com

DON'T OVERLOAD YOUR VEHICLE!



WEIGHT CARRIED ABOVE THE FLOOR OF THE TRUCK BED (E.G. ON AN OVERHEAD TRUCK RACK) WILL SIGNIFICANTLY INCREASE THE VEHICLE'S TENDENCY TO OVERTURN. ALWAYS KEEP HEAVY LOADS EVENLY DISTRIBUTED AND AS LOW AS POSSIBLE. IT IS IMPORTANT TO NOTE THAT THE KARGO MASTER RACK LOAD BEARING CAPACITY MAY BE GREATER THAN YOUR TRUCK'S GAWR OR GVWR CAPACITY, AND IS PROBABLY GREATER THAN THE WEIGHT THAT CAN BE SAFELY CARRIED OVERHEAD. RETIGHTEN ALL BOLTS AFTER FIRST USE, PERIODICALLY CHECK BOLTS FOR TIGHTNESS.

For TECHNICAL SUPPORT Call:

1.800.343.7486

Monday-Friday, 7AM - 4 PM (PST)

www.Holman.com

PLEASE READ ALL INSTRUCTIONS AND WARNINGS PRIOR TO ASSEMBLING, INSTALLING, AND USING THIS PRODUCT.

WARNING



Always check for wires, fuel tanks and lines, brake lines and other important vehicle functionality items prior to drilling and installing all products.



Too much weight will greatly reduce the stability of your vehicle. Holman makes no representation or warranty as to the amount of weight your vehicle can safely carry. For guidance, we recommend that you consult the vehicle manufacturer. At no time should the weight of the vehicle, rack, driver, passengers and cargo loaded on a Holman rack exceed either the Gross Vehicle Weight Ratio (GVWR) or the Gross Axle Weight Ratio (GAWR) as specified by the vehicle manufacturer.



Do not use your rack with the rear cross bar removed. Removal of rear crossbar will affect structural integrity of the rack.

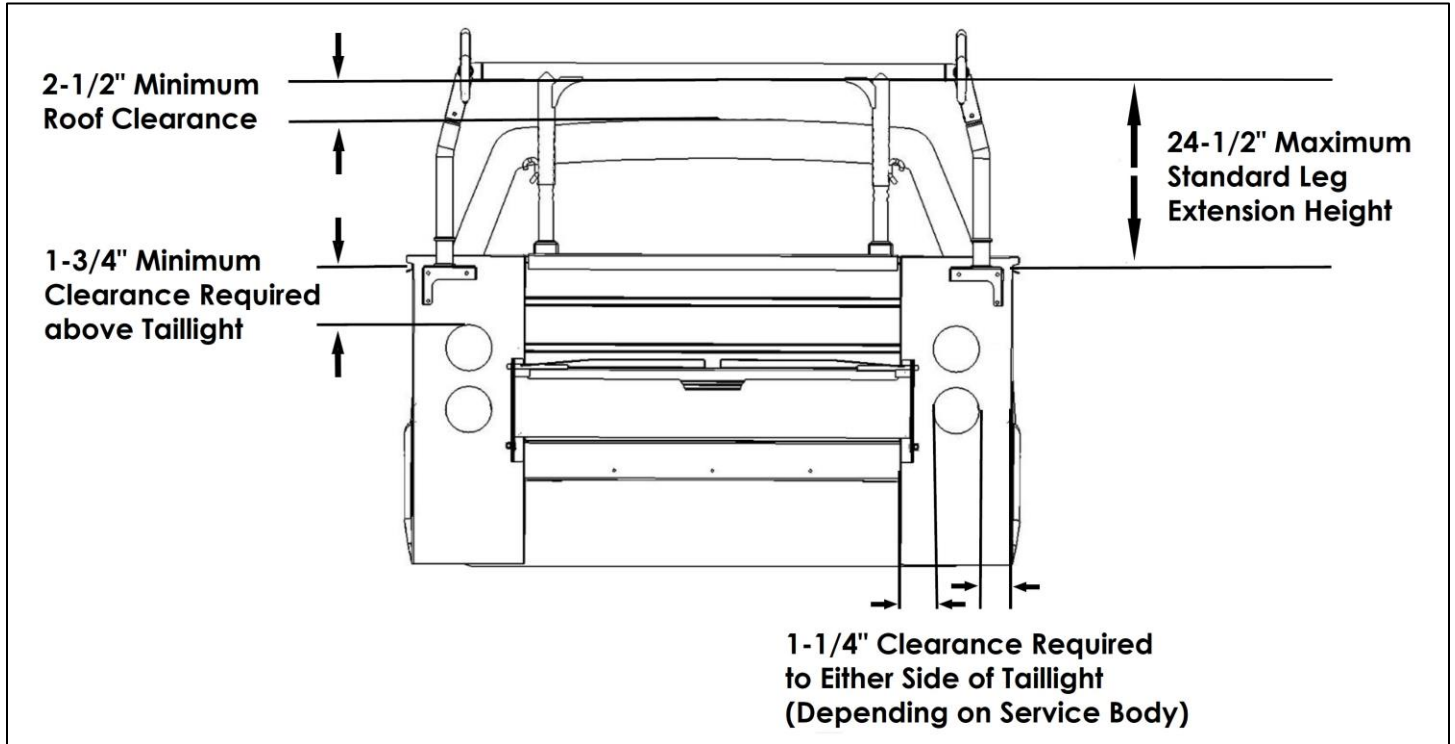


Secure all payloads properly for safe transportation.



Before You Begin

- Read all instructions carefully, and follow each step in proper sequence, for ease and speed in assembling your Holman rack.
- The “bulkhead” is the panel at the front of the service body. Measure the distance from the top of the bulkhead to the top of the truck’s cab. This distance should be in the range of 15” to 22”.
- **PROPER SEALANT APPLICATION IS CRITICAL TO PREVENTING WATER PENETRATION INSIDE THE RACK.** Apply a healthy bead of sealant entirely around every swaged joint and every bolt going through tubing. Improper sealing can lead to water penetration and rust on inside surfaces.
- Standard mounting is on the rear panel. Check to ensure the rear panel of the service body is free of taillights or other obstructions (inside or out) in the area where the rear legs of the rack bolt to the body. Consult sketch below.
 - There must be open unobstructed space at least 1-3/4” above taillight and below flip-top box lid.
 - There must be open unobstructed space at least 1-1/4” to the left or right of taillight.
 - The distance between the crown of the roof plus 2-1/2” to the top of the mount bracket must be no greater than 24-1/2”. If the distance is greater than 24-1/2”, the optional 9” extension kit (31520) is required.
 - The service body foot must be mounted as close as possible to the vertical exterior corner of the rear body panel. If mounting to the vertical exterior corner of the rear body panel is not possible, the right and left service body rear feet can be switched and the feet can be mounted as close as possible to the vertical interior corner of the rear body panel.




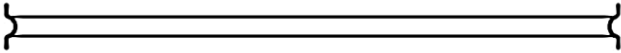
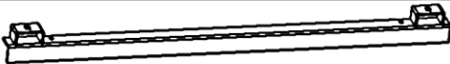
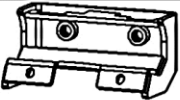

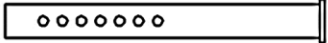

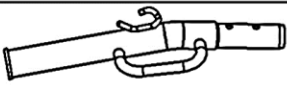

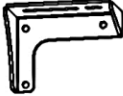

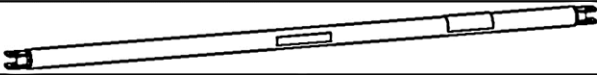

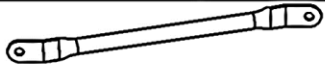



Tools Needed

1/2" 9/16", 3/4" Box Wrenches	1/2", 9/16", 3/4" Sockets and Wrench
7/32", 5/16" Allen Wrenches	Drill
11/32", 13/32" Drill Bits	Drill Bit Stop Collar

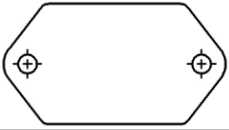
Table of Contents

Leg and Bar Kit Parts	5
Leg and Bar Kit Parts (Continued)	6
Forklift Loadable Side Channel Parts List.....	6
Wind Deflector Hardware (18-31571)	6
Extra Crossbar Parts (31110)	7
Standard Side Channel Parts List.....	7
Hardware Kit.....	8
Hardware (Continued)	9
Extra Crossbar Hardware (18-31110).....	10
Sealant Application	10
Step 1 – Measure Service Body and Truck	11
Step 2 – Install Front Leg Angle Mount	11
Step 3 – Install Bulkhead Bracing.....	12
Step 4 – Assemble Front Leg Assembly.....	13
Step 5 – Join Side Channels	13
Step 6 – Attach Wind Deflector.....	14
Step 7 – Attach Front Tube.....	14
Step 8 – Attach Center Crossbar.....	14
Step 8A – Forklift Loadable Side Channels.....	14
Step 8B – Standard Side Channels	15
Step 10 – Attach Rear Take-out Bar.....	15
Step 10 – Attach Rear Legs.....	16
Step 11 – Attach Front Legs.....	16
Step 12 – Install Foot to Rack.....	17
Step 13 – Install Rack onto Service Body.....	18
Step 14 – Install Support Arm.....	19
Step 15 – Install Extra Crossbar (extended and crew cab kits only).....	20
Step 16 – Tighten Hardware.....	20
Step 17 – Take-out Bar Adjustment.....	20
Step 18 – Adjust Wind Deflector.....	21
Using Rear Take-out Bar Position Lock.....	21

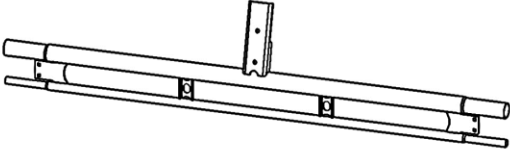
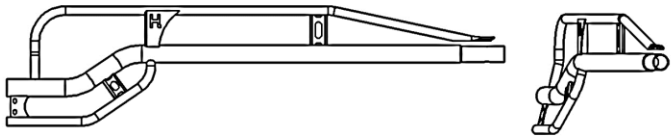
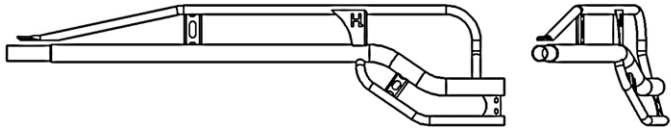
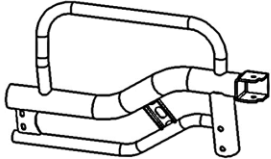
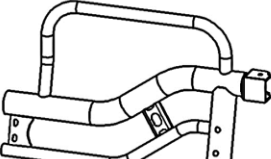
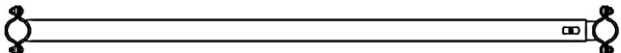
Leg and Bar Kit Parts

NO.	ITEM	PART NUMBER	DESCRIPTION	QTY.
1		11-00004	FRONT TUBE FS	1
2		101669	CENTER CROSSBAR ASSEMBLY	1
3		101429	FRONT LEG ANGLE MOUNT	1
4		101220	CROSSBAR STRAPPING BRACKET	2
5		101431	FRONT SB LEG ASSY, FORKLIFT	1
6		13-00659-R2	SERVICE BODY TELESCOPING LEG	2
7		101184	REAR LEG ASSEMBLY, FS SB, RH PS	1
8		101408	REAR LEG ASSEMBLY, FS SB, LH DS	1
9		70020-10-004	SERVICE BODY FOOT, REAR RH	1
10		70020-10-003	SERVICE BODY FOOT, REAR LH	1
11		70020-10-010	CORNER SUPPORT	2
12		101170	REAR TAKE-OUT BAR, 64.5"	1
13		101200	SIDE CHANNEL CLAMP	4
14		11-00757	SERVICE BODY SUPPORT ARM	2
15		70020-16	3-1/2" LEG EXTENSION, 2" OD	2
16		101415	WIND DEFLECTOR, 52", 2" TUBING, STEEL	1
17		101404	WIND DAMPENER STRAP FASTENER	3
18		18-12004	HARDWARE KIT	1



Leg and Bar Kit Parts (Continued)

NO.	ITEM	PART NUMBER	DESCRIPTION	QTY.
19		101735	CENTER CROSSBAR SHIM	2

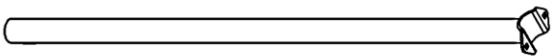
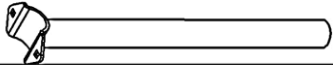
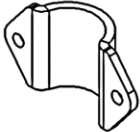
Forklift Loadable Side Channel Parts List

NO.	ITEM	KIT: PART NUMBER	DESCRIPTION	QTY.
1		12200, 12201: 101218 OR 12202, 12203, 12204: 101193 OR 12205, 12206: 101172	EXTENSION SIDE CHANNEL, 52"	2
2		12200, 12203, 12206: 101224 OR 12201, 12204: 101693 OR 12202, 12205: 101144	FRONT SIDE CHANNEL. MULTIPOSITION, RH, PS	1
3		12200, 12203, 12206: 101225 OR 12201, 12204: 101692 OR 12202, 12205: 101149	FRONT SIDE CHANNEL. MULTIPOSITION, LH, DS	1
4		101163	REAR LEG CHANNEL, RH PS	1
5		101166	REAR LEG CHANNEL, LH DS	1
6		12200, 12201, 12203 12204, 12206: 31110	PRO II EXTRA CROSSBAR	1

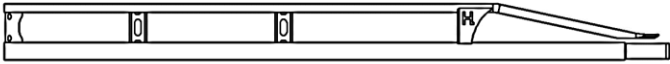
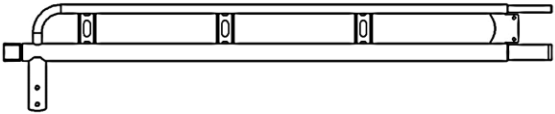
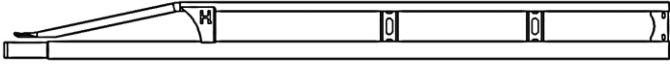
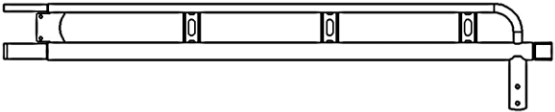

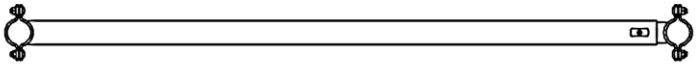
Wind Deflector Hardware (18-31571)

ITEM	HARDWARE TO SCALE	PART NUMBER	DESCRIPTION	QTY.
1		0149489	10-32 X 3/4" PAN HEAD SCREW	3
2		33074	#10 FLAT WASHER	3

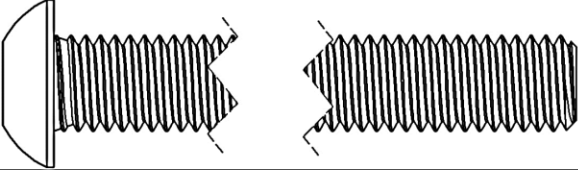
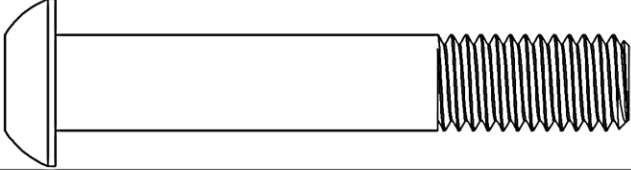
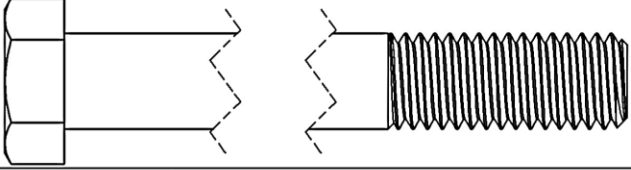
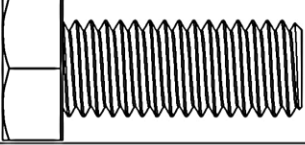
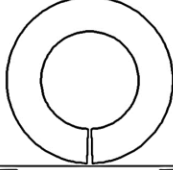

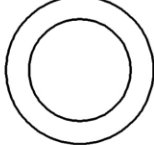
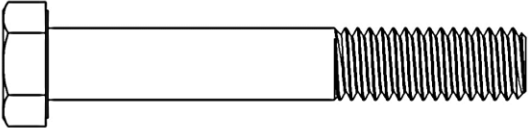
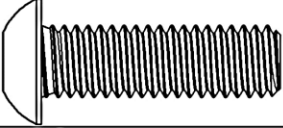
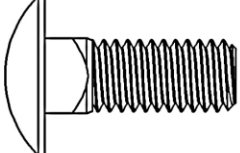
Extra Crossbar Parts (31110)

NO.	ITEM	PART NUMBER	DESCRIPTION	QTY.
1		13-00306	2" BAR ASSY, QUICK CLAMP	1
2		13-00305	1 3/4" BAR ASSY, QUICK CLAMP	1
3		101572	MTG BRKT CLAMP	2
4		18-31110	HARDWARE KIT	1


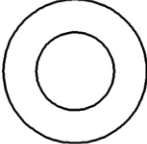
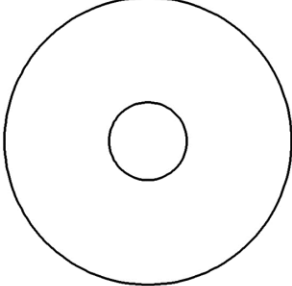
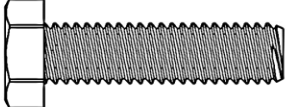
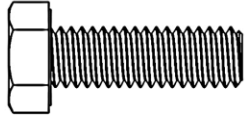
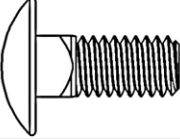

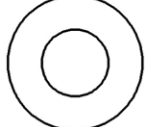

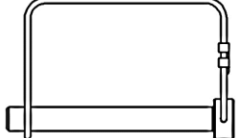
Standard Side Channel Parts List

NO.	ITEM	KIT: AND/OR PART NUMBER	DESCRIPTION	QTY.
1		12101: 101529 OR 12102: 101564 OR 12103: 101579	SIDE CHANNEL, FRONT PS RH	1
2		12101: 101531 OR 12102: 101568 OR 12103: 101626	SIDE CHANNEL, REAR PS RH	1
3		12101: 101530 OR 12102: 101565 OR 12103: 101580	SIDE CHANNEL, FRONT DS LH	1
4		12101: 101532 OR 12102: 101569 OR 12103: 101627	SIDE CHANNEL, REAR DS LH	1
5		101572	MTG BRKT CLAMP	2
6		12103: 31110	EXTRA CROSSBAR	

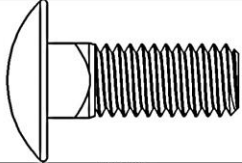

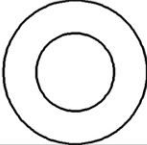

Hardware Kit

NO.	ITEM	FASENALSKU	DESCRIPTION	QTY.
1		92949A880	1/2"-13 X 3-1/4" BUTTON HEAD SCREW	2
2		42KD91	1/2"-13 X 3" BUTTON HEAD CAP SCREW	4
3		11241240	1/2"-13 X 4-1/2" HEX HEAD BOLT	2
4		11241228	1/2-13 X 1-1/4" HEX HEAD BOLT	8
5		1133626	1/2" LOCK WASHER	8
6		37695	1/2"-13 THIN LOCKING JAM NUT	4
7		11137086	1/2" STEEL FLAT WASHER, NARROW PROFILE	14
8		11241202	3/8-16 X 2-1/2" HEX HEAD BOLT	5
9		73815	3/8"-16 X 1-1/4" BUTTON HEAD HEX KEY SCREW	10
10		0155062	3/8-16 X 1" CARRIAGE BOLT	4

Hardware (Continued)

NO.	ITEM	FASENALSKU	DESCRIPTION	QTY.
11		37691	3/8"-16 THIN LOCK NUT	19
12		0159723	3/8" FLAT WASHER	28
13			3/8" X 1.5" OD X .08" THK OVERSIZED WASHER	6
14		11241180	5/16-18 X 1-1/4" HEX HEAD BOLT	4
15		11241179	5/16-18 X 1" HEX HEAD BOLT	10
16		21810	5/16"-18 X 3/4" CARRIAGE BOLT	8
17		37521	5/16"-18 LOCK NUT	18
18		33006	5/16" FLAT WASHER	32
19		11104019	5/16-18 FLANGED NYLOCK NUT	4
20	 NOT TO SCALE	98416A575	3/8" X 2-7/8" WIRE LOCK CLEVIS PIN	1
21		SEALANT - 100mL	SEALANT	1
22		18-31571	HARDWARE KIT	1

Extra Crossbar Hardware (18-31110)

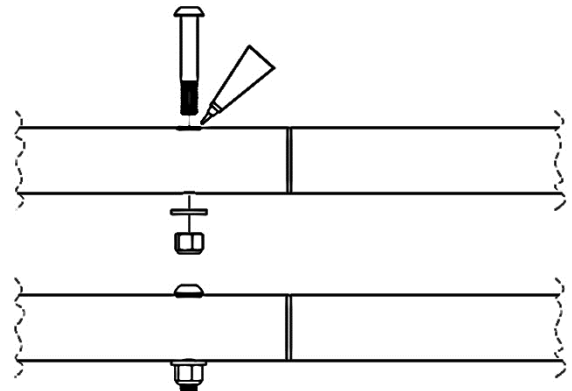
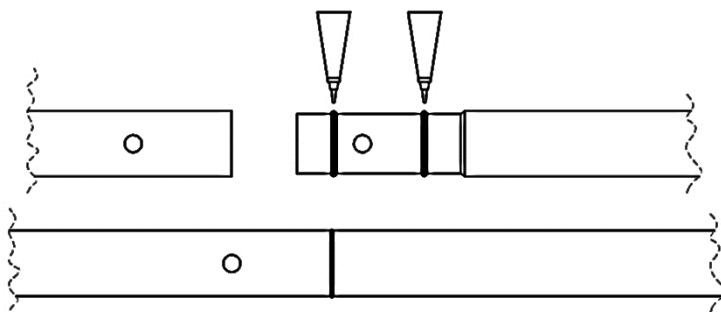
ITEM	HARDWARE TO SCALE	PART NUMBER	DESCRIPTION	QTY.
1		74436	3/8-16 X 1" CARRIAGE BOLT	4
2		0135144	3/8"-16 x 3/8" SET SCREW	1
3		0159723	3/8" FLAT WASHER	4
4			3/8"-16 JAM NYLOCK NUT	4

Sealant Application



Proper sealant application is critical to preventing water penetration inside the rack.

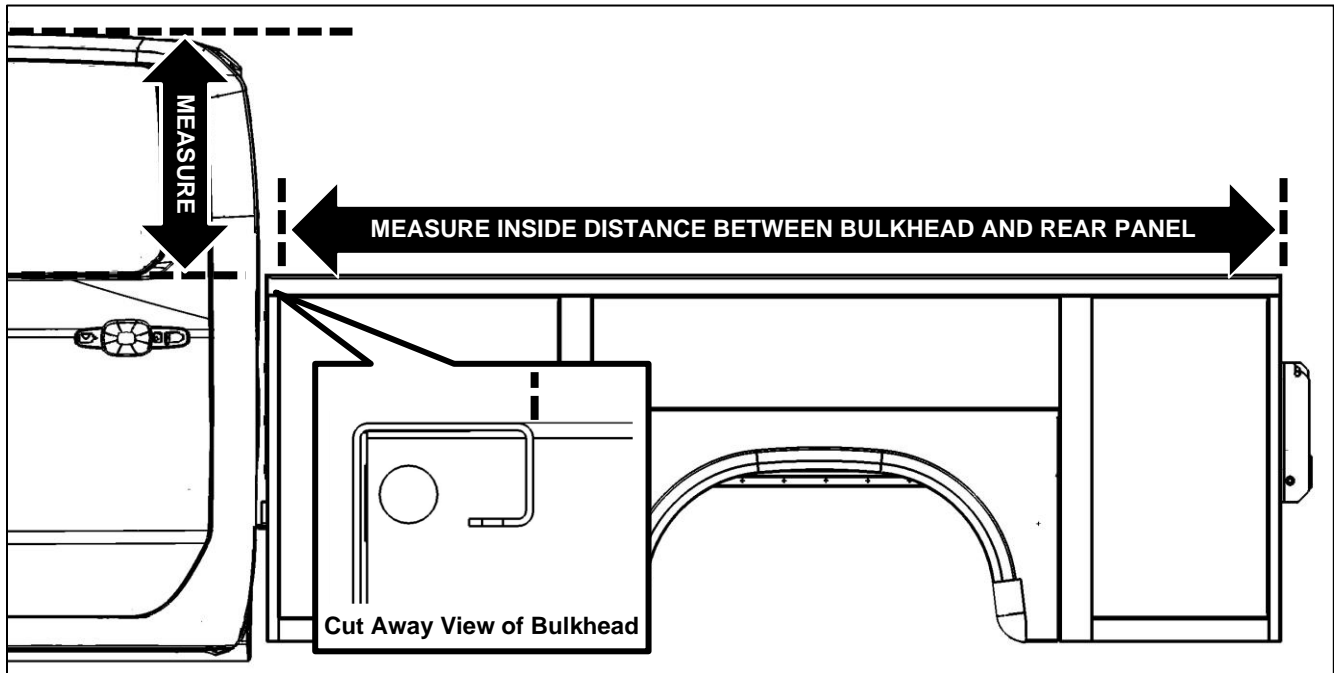
- Apply a healthy bead of sealant around every swaged joint as shown. Improper sealing can lead to water penetration and rust on inside surfaces.



- Wipe any excess sealant off immediately with a plastic scraper or paper towel. Any smeared sealant can be rubbed off as soon as sealant dries.
- **Maintain this seal throughout the life of your rack.**
- Repeat process for opposite side.

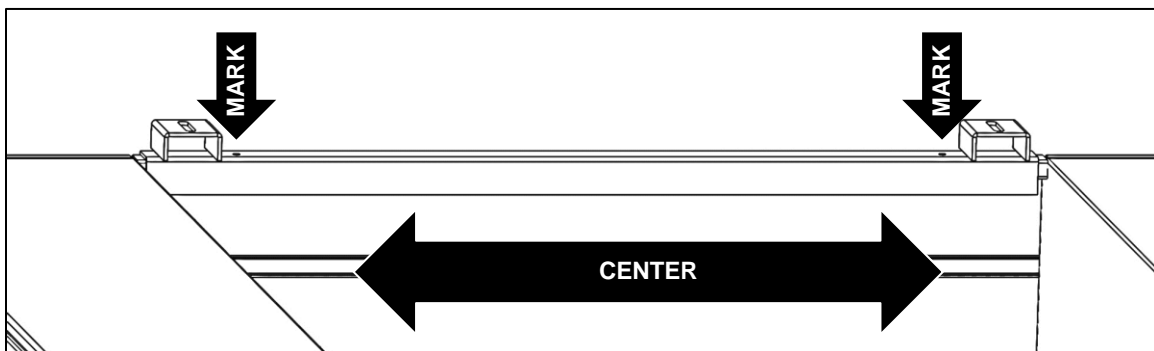
Step 1 – Measure Service Body and Truck

- Measure distance between inside of service body bulkhead to rear of service body.
- Measure and record height from bulkhead to top of vehicle.
- Crossbars will need to be 2-1/2” or more above the roof.



Step 2 – Install Front Leg Angle Mount

- Set front leg angle mount on top of the bulkhead, with flat face towards the rear.
- Center angle mount side-to-side.
- Mark location of holes in angle mount onto bulkhead.

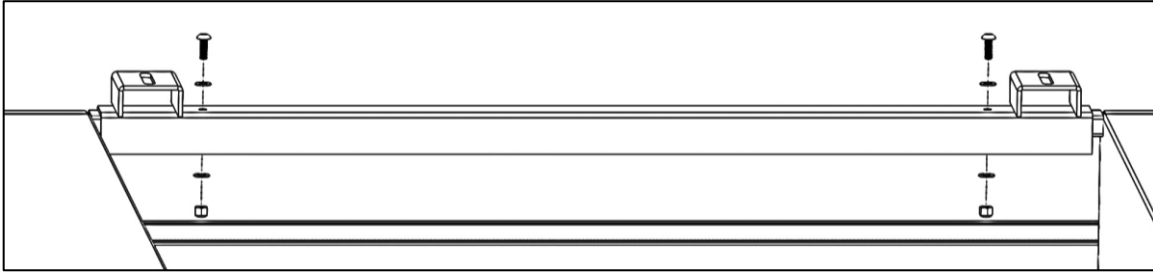


- Remove front leg angle mount.
- Using a 13/32” drill bit, drill a hole in the top of the bulkhead where marked.



Be sure drilling location is clear of wires, fuel tanks and lines, brake lines and other important vehicle functionality items.

- Using one 3/8" button head screw, two 3/8" washers, and one 3/8" lock nut, install angle mount to service body bulkhead.

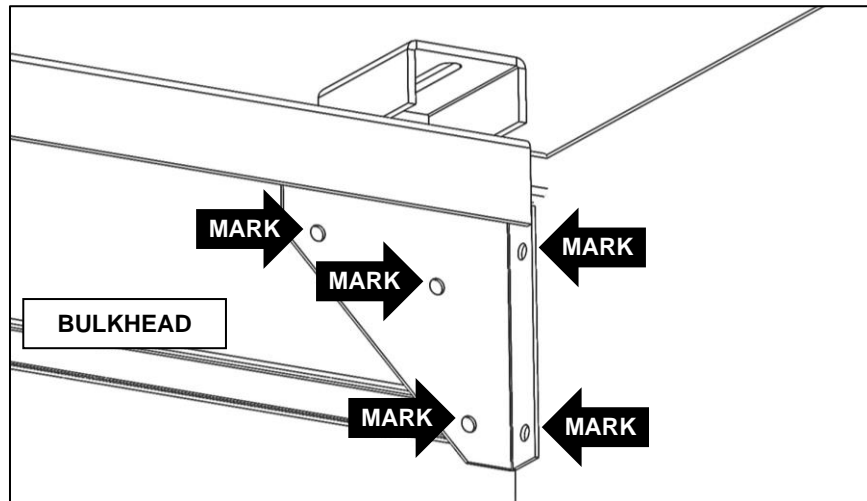


Step 3 – Install Bulkhead Bracing



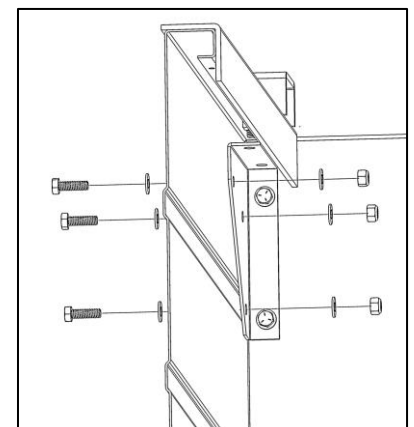
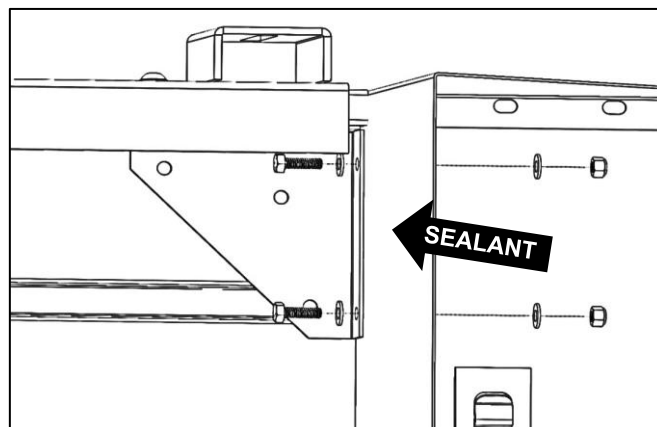
We recommend the following additional bracing be added to the service body bulkhead to support the truck rack. Some service bodies are not structurally designed to support loads upon the bulkhead without additional bracing.

- Place the corner support against the inside of the bulkhead, against the top right side of the bulkhead flange or rail. The support should be touching three service body panels.
- Mark the location of the three holes against the bulkhead and the two holes to the service body interior sidewall.
- Repeat for the opposite side.
- Using an 11/32" drill bit, drill a hole in each location marked.



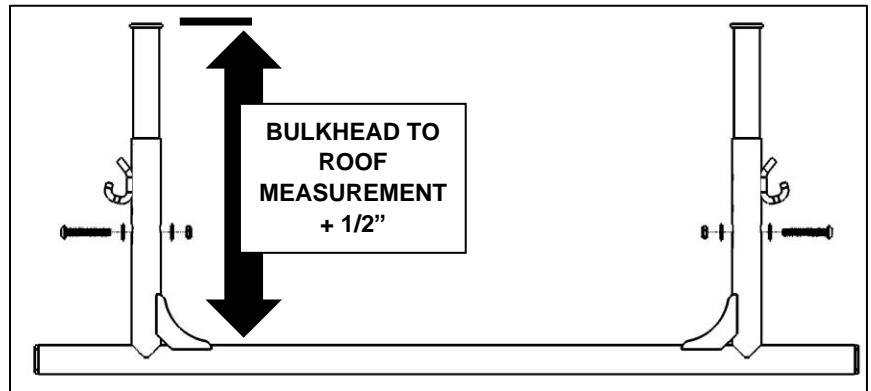
Be sure drilling location is clear of wires, fuel lines, brake lines and other important vehicle functionality items. Use a drill bit stop collar.

- Apply some sealant around each hole drilled into side compartment.
- Using one 5/16" bolt, two 5/16" washers, and one 5/16" lock nut for each hole drilled, attach the corner support to the service body.
- Repeat on opposite side.



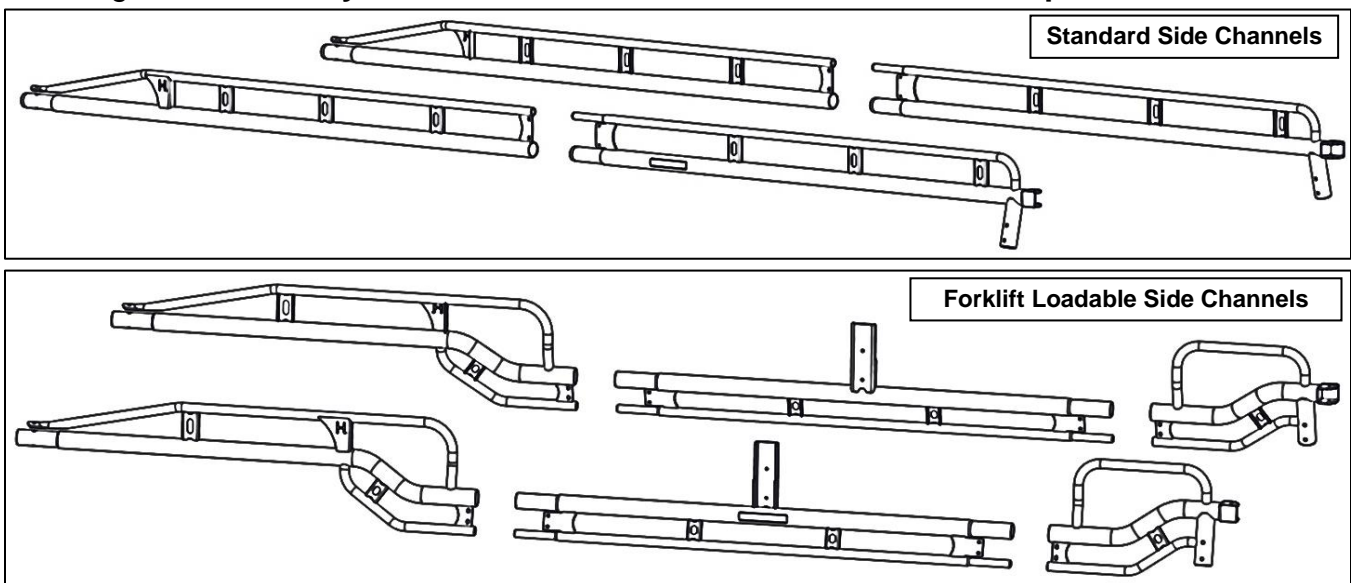
Step 4 – Assemble Front Leg Assembly

- Insert telescoping leg into leg assembly.
- Position leg so the bottom of telescoping leg is **AT LEAST 1/2" more** than the height between service body bulkhead and roof peak measured earlier.
- Align holes and **LOOSELY** fasten each leg to the leg assembly using a 1/2" x 3-1/4" button head screw, two flat washers, and 1/2" jam nut. For most installations, it is best to install bolts facing inward.

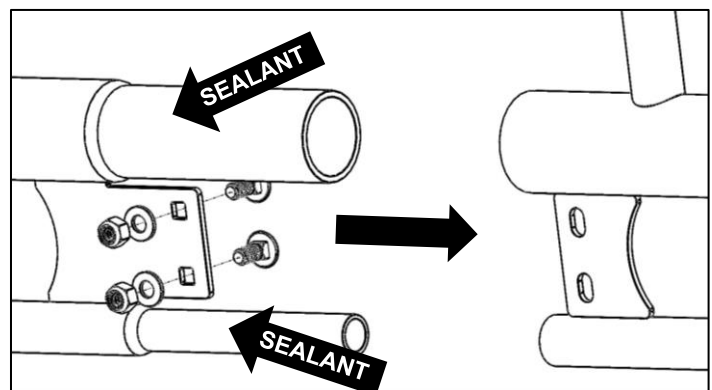


Step 5 – Join Side Channels

- Unpack side channels from box. Lay flattened box on ground and use for scratch protection while building rack. **Be sure you have correct front and rear side channels paired.**

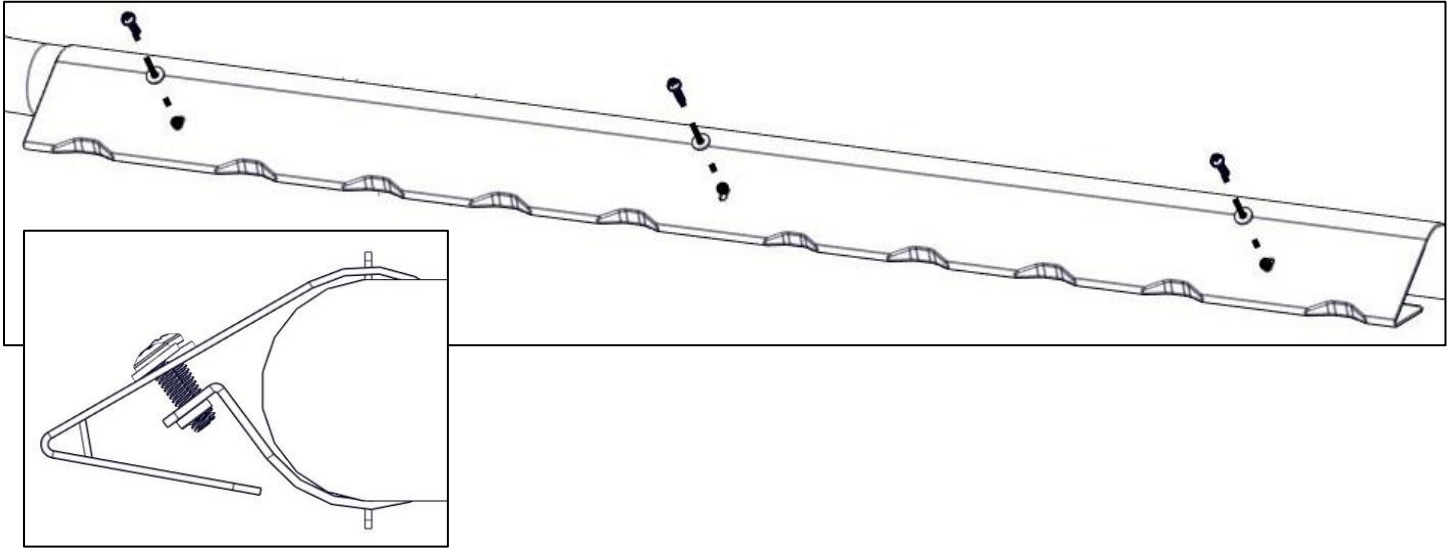
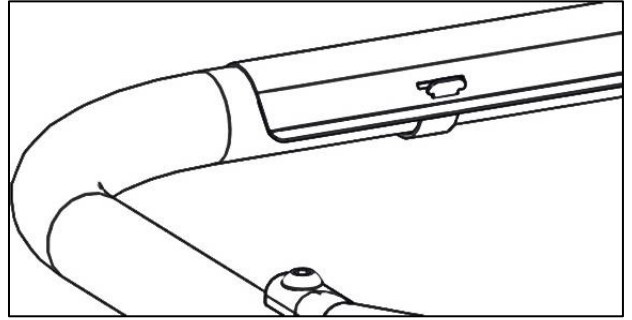


- Apply sealant to top and bottom swage joints.
- Insert rear side-channel swaged joints into middle side-channel tubes until splice plates holes align.
- Insert front side-channel swaged joints into middle side-channel tubes until splice plate holes align.
- Using 5/16" x 3/4" carriage bolts, 5/16" washers, and 5/16" lock nuts, securely fasten channels together.
- Remove excess sealant.
- Repeat process for opposite side.



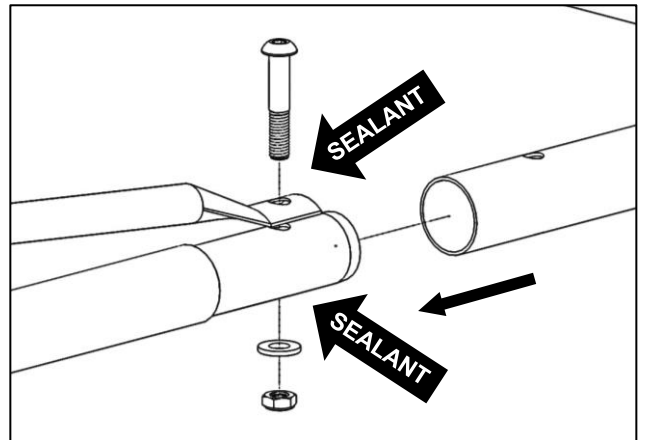
Step 6 – Attach Wind Deflector

- Position wind deflector on front U-tube.
- Insert wind deflector straps into slots on rear of wind deflector.
- Using #10 x 3/4" screws and #10 washers, bolt through top of wind deflector into press-in nuts on wind deflector straps.
- Tighten.



Step 7 – Attach Front Tube

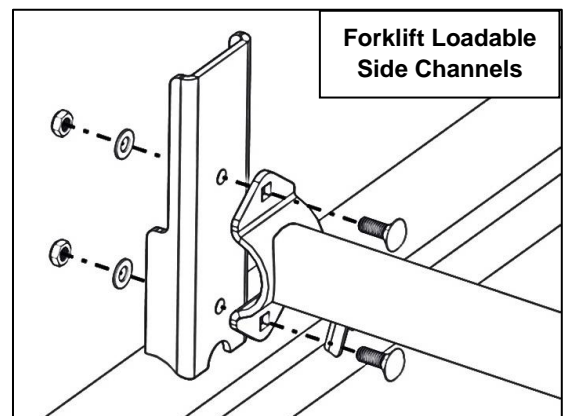
- Apply sealant to front side-channel swaged joint.
- Insert front side-channel swaged joint into front tube until bolt holes in tube and side-channel align.
- Apply sealant around top hole.
- Loosely fasten front tube to side channel using 1/2" x 3" partially threaded button head screw, 1/2" washer, and 1/2" lock nut.
- Remove excess sealant.
- Repeat process on opposite side.



Step 8 – Attach Center Crossbar

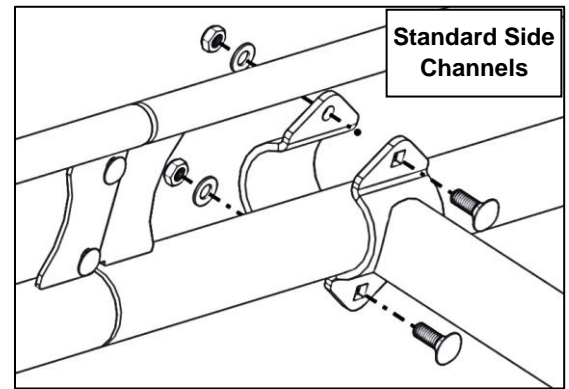
Step 8A – Forklift Loadable Side Channels

- Using two 3/8" x 1" carriage bolts, 3/8" flat washers, and 3/8" thin lock nuts, LOOSELY attach the center crossbar to the crossbar support.
- Repeat on opposite side of rack.
- Snug tighten.



Step 8B – Standard Side Channels

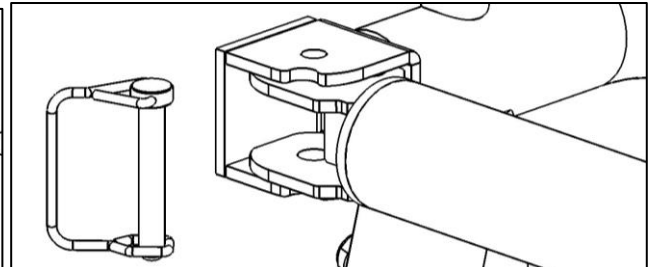
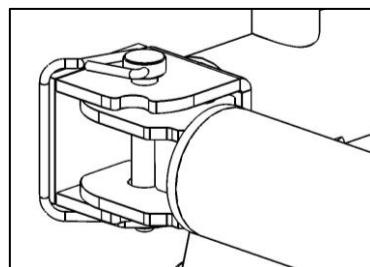
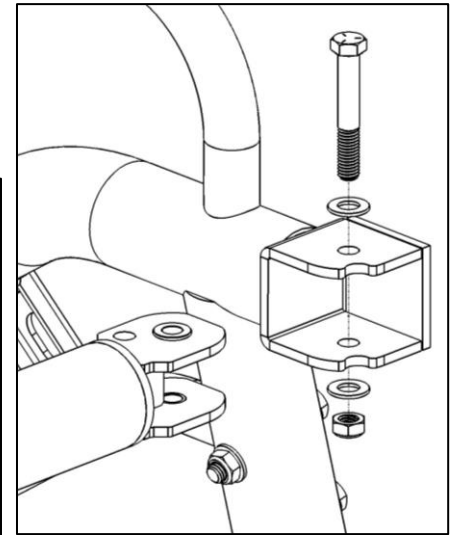
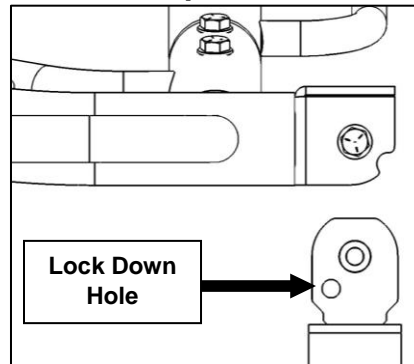
- Position center crossbar, mid-way between the front and rear crossbars, against the lower 2" side channel tubes.
- Using two 3/8" x 1" carriage bolts, 3/8" flat washers, and 3/8" thin lock nuts, LOOSELY fasten the MTG bracket clamp around the lower tube on each side. **Install carriage bolts with heads towards vehicle center.**
- Repeat on opposite side of rack.
- Snug tighten.



Step 9 – Attach Rear Take-out Bar

NOTE: The rear take-out bar can be installed to open in either direction. One end is bolted and the other side is pinned.

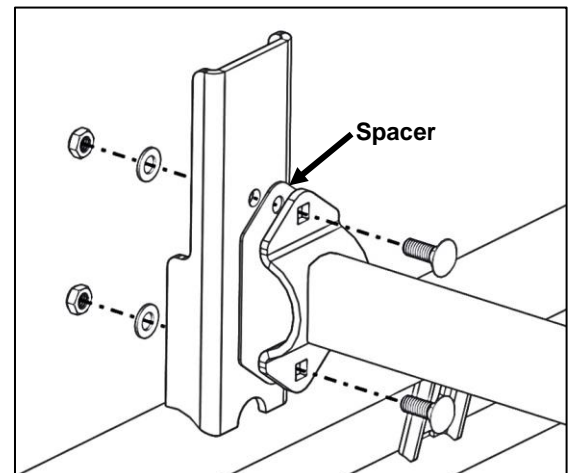
- On the side to be bolted, slide end into rear side-channel receiver. **Be sure the second lock-down hole in the end is towards the front of the vehicle.**
- Using 3/8" x 2-1/2" hex head, two 3/8" washers, and a 3/8" lock nut, bolt the rear take-out bar to the receiver.
- On opposite side, insert 3/8" lock pin.



Step 9A – FORKLIFT LOADABLE RACKS:

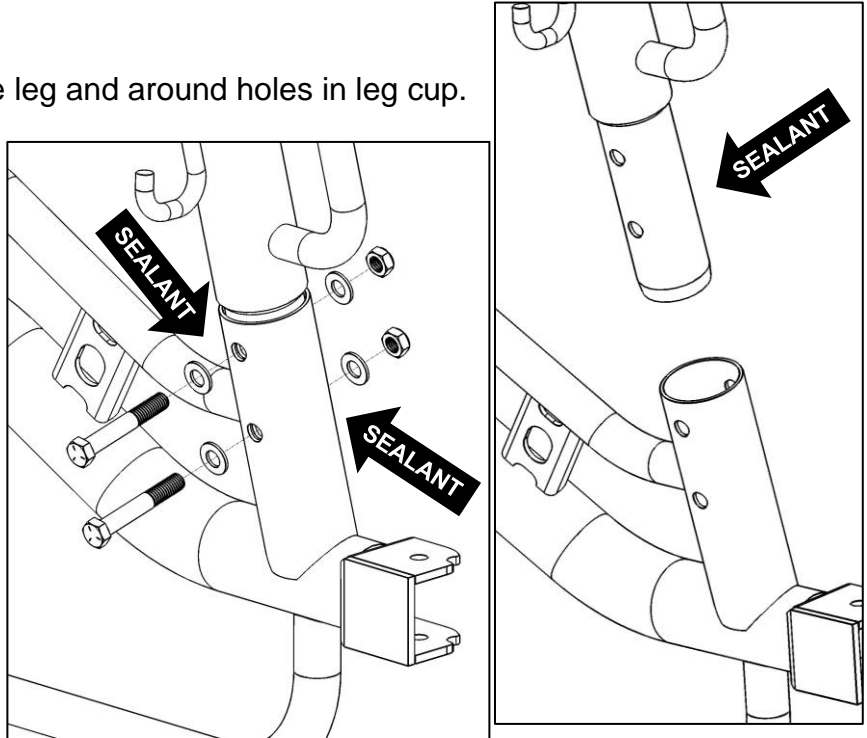
IF YOU EXPERIENCE DIFFICULTY PINNING REAR TAKE-OUT BAR INTO SIDE CHANNEL RECEIVER, it may be necessary to install one or two spacers between the center crossbar and crossbar support.

- Remove bolts fastening center crossbar to ONE of the side channel supports.
- Insert a spacer between the center crossbar and the crossbar support.
- Tighten hardware.
- Check pin alignment. If second spacer is required, install spacer on the side opposite the previously installed spacer.



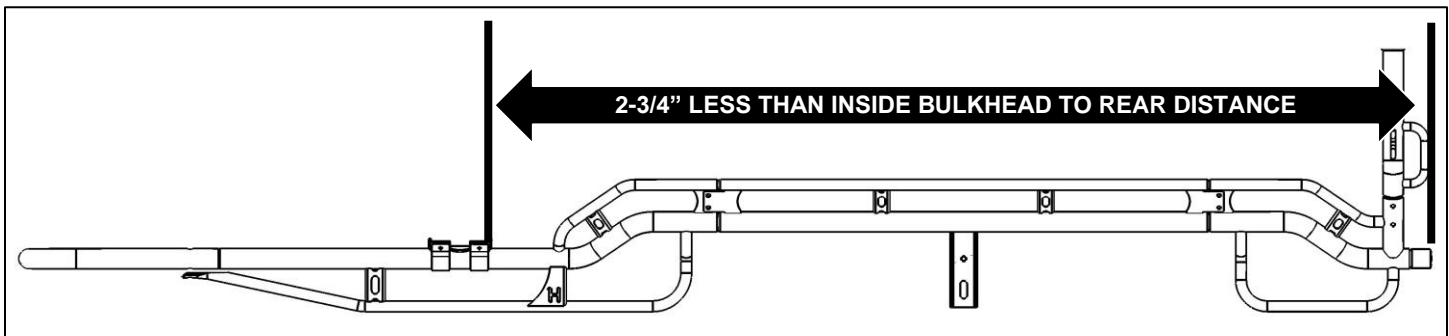
Step 10 – Attach Rear Legs

- Flip rack upside down.
- Apply sealant to swaged joint on one leg and around holes in leg cup.
- Orient leg correctly with side channel, with rope hook away from center of rack, and then insert leg into leg cup until holes in leg and leg cup align.
- Loosely fasten leg to leg cup using, one 3/8" x 2-1/2" hex head bolt, two 3/8" washers, and one 3/8" lock nut. **Be sure to apply sealant around bolt between each washer and leg cup as you assemble.**
- Remove excess sealant.
- Repeat process on opposite side.
- Tighten hex head bolt until legs are solidly fastened (up to 35 ft-lb.)

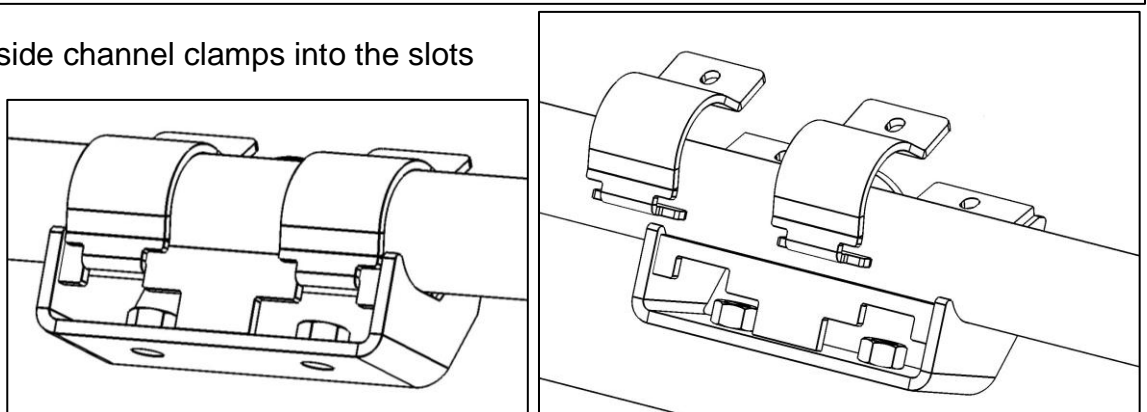


Step 11 – Attach Front Legs

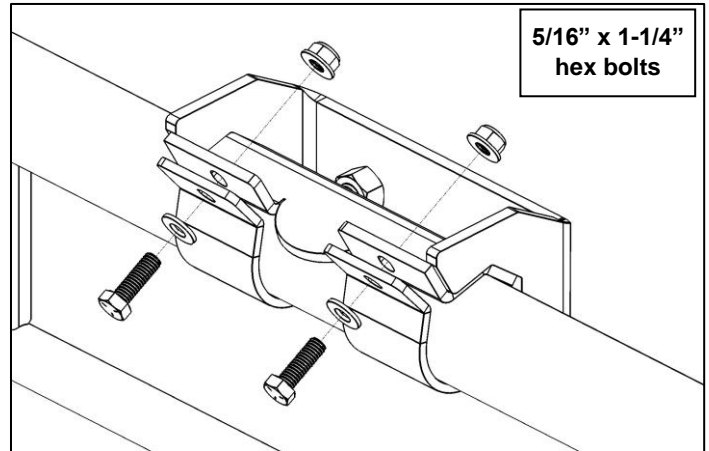
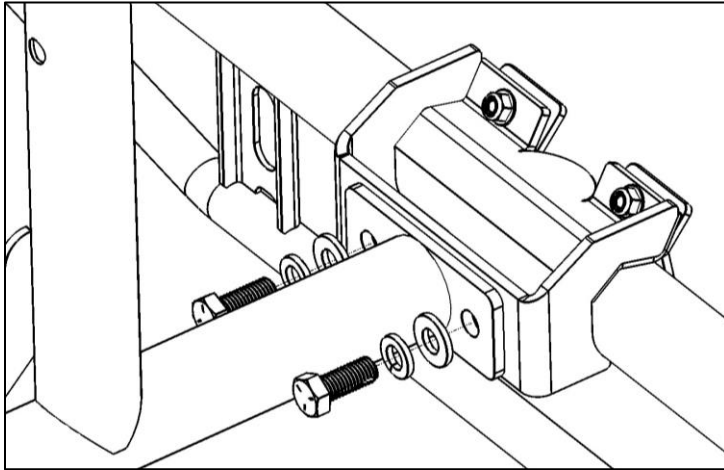
- Place strapping bracket against the 2" diameter tube on the side channel.
- Position the rear side of each strapping bracket **2-3/4" less** than the distance measured earlier from the absolute rear of rack.



- Hook two of the side channel clamps into the slots on the head of the strapping bracket.



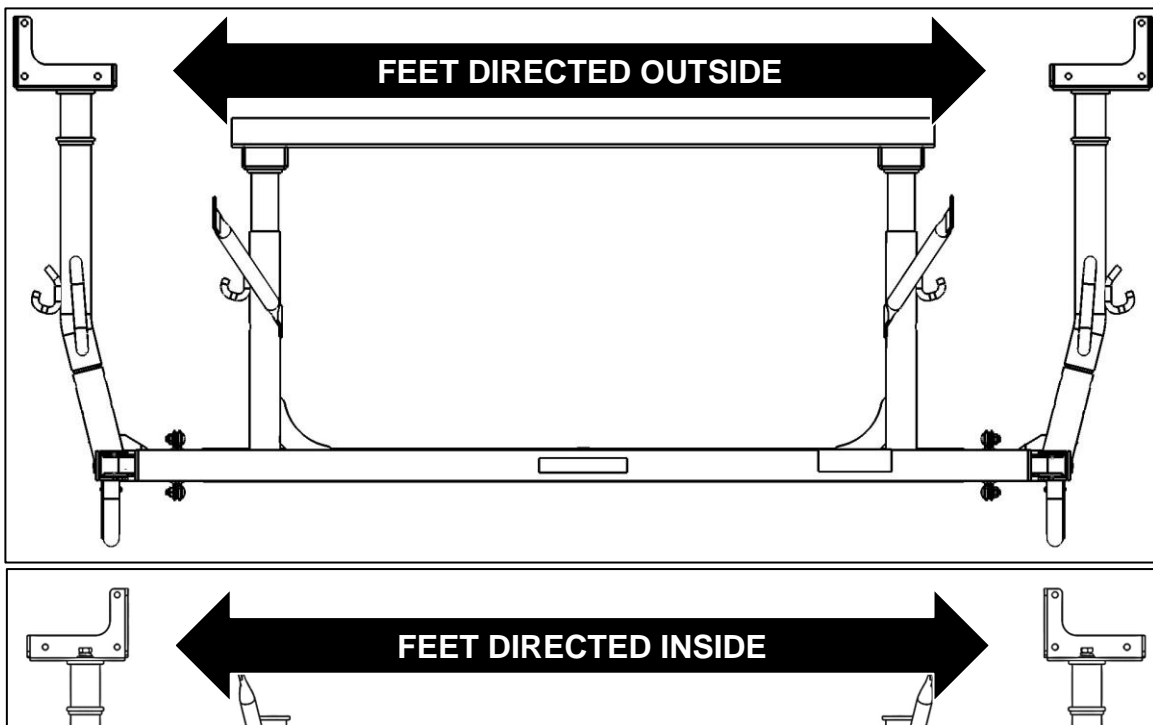
- Using a **5/16" x 1-1/4" hex bolt**, a 5/16" lock washer, and 5/16" flanged lock nut, **LOOSELY** fasten each clamp to the head of the leg.



- Using 1/2" x 1-1/4" hex head screws, 1/2" lock washers, 1/2" flat washers, secure the front leg assembly to the crossbar strapping bracket.
- Repeat for opposite side.
- Snug tighten but allow for movement.

Step 12 – Install Foot to Rack

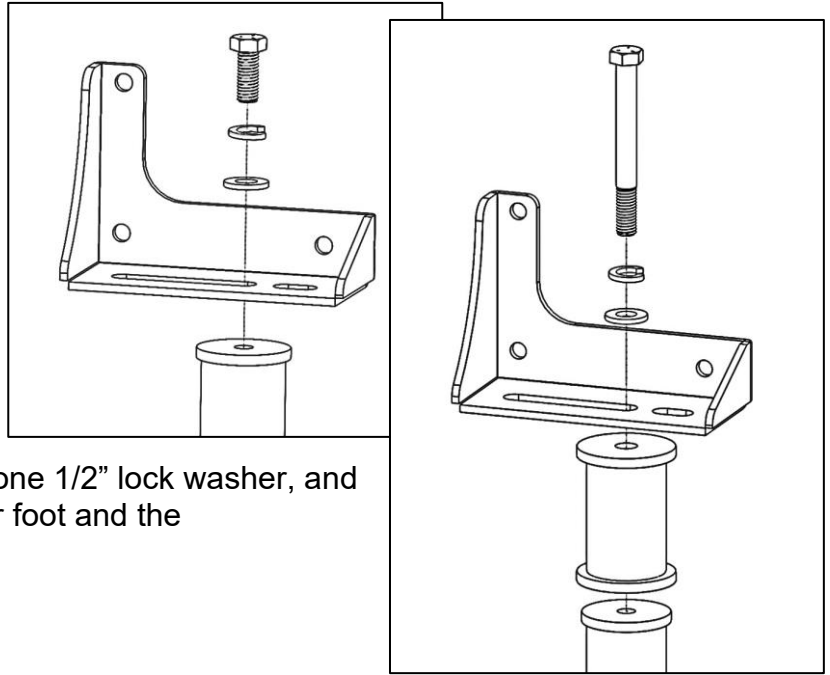
Depending on the model of service body the rack is installed on, it may be necessary to install the rear feet pointed inwards instead of the typical rear foot installation pointed outwards.



Also depending on the model of service body the rack is installed on, it may be necessary to install the 3" leg extension prior to installing the rear feet. If the service body has flip-open top lid door, then the extension is most likely necessary.

If **NOT** installing the 3" extension:

- Using one 1/2" x 1-1/4" hex head bolt, one 1/2" lock washer, and one 1/2" washer, loosely install the rear foot to the rear leg.
- Snug tighten but allow for movement.
- Repeat on the opposite side.



If installing using the 3" leg extensions (or optional 9" leg extensions):

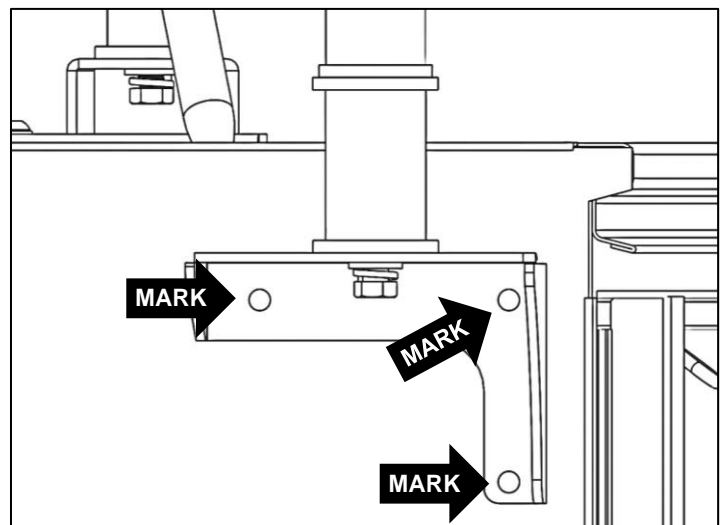
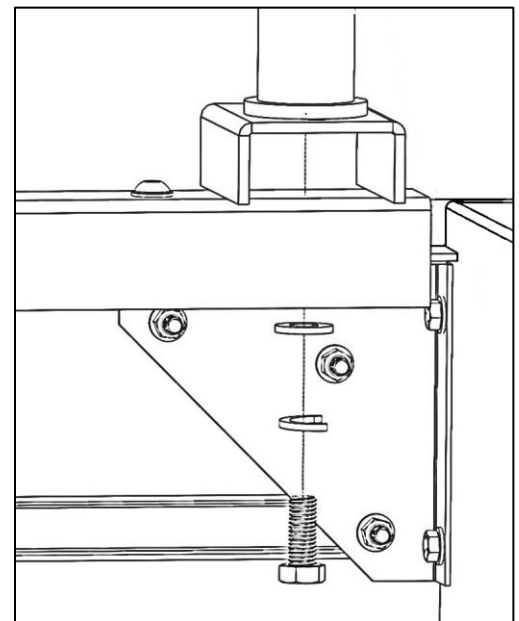
- Using one 1/2" x 4-1/2" hex head bolt, one 1/2" lock washer, and one 1/2" washer, loosely install the rear foot and the 3" extension to the rear leg.
- Snug tighten but allow for movement.
- Repeat on the opposite side.

Step 13 – Install Rack onto Service Body

- Lift rack and set legs onto front leg angle mount.
- Loosely fasten front leg angle mount onto legs using two 1/2" x 1-1/4" hex bolts, two 1/2" lock washers, and two 1/2" washers.
- Block, support, or hold rack in place, with side channels level to the service body.
- **Verify clearance above vehicle cab is as recommended on Page 2.** If clearance needs adjustment, remove rack and adjust height of front legs as necessary.
- Position rack with rear feet against rear of service body.
- Position rear feet as close to upper corner and edges of the rear body panel as possible. **Be sure clearance is available inside rear panel of service for 3/8" washers and nuts.**

NOTE: If feet are reversed, position rear feet as far towards center and as close to vertical interior corner of the rear body panel as possible.

- Mark location of holes in rear feet onto service body.

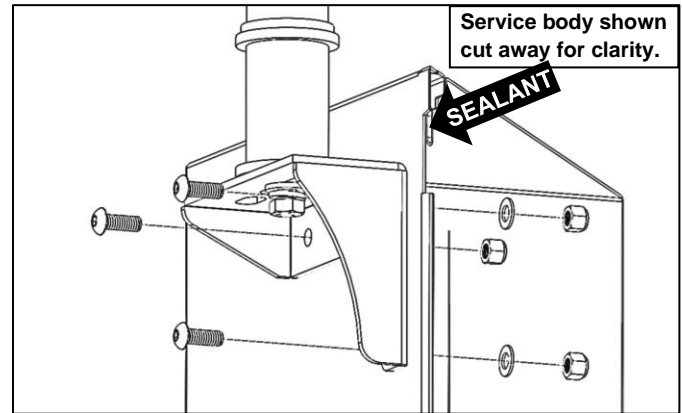


- Move feet out of the way.
- Using 13/32" drill bit, drill holes in rear of service body where marked.



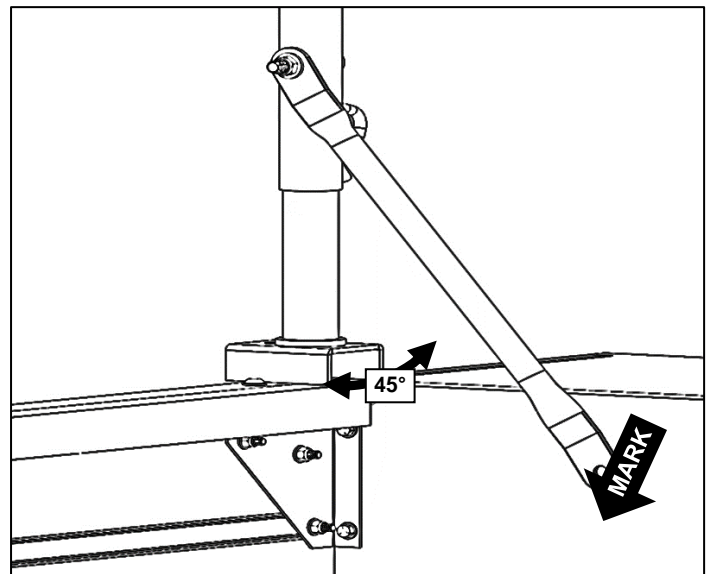
Be sure drilling location is clear of wires, fuel lines, brake lines and other important vehicle functionality items. Use a drill bit stop collar.

- Apply some sealant around each hole drilled into side compartment.
- Using three 3/8" x 1" button head screws, 3/8" washers, and 3/8" lock nuts for each side, securely fasten rear feet to rear of service body.



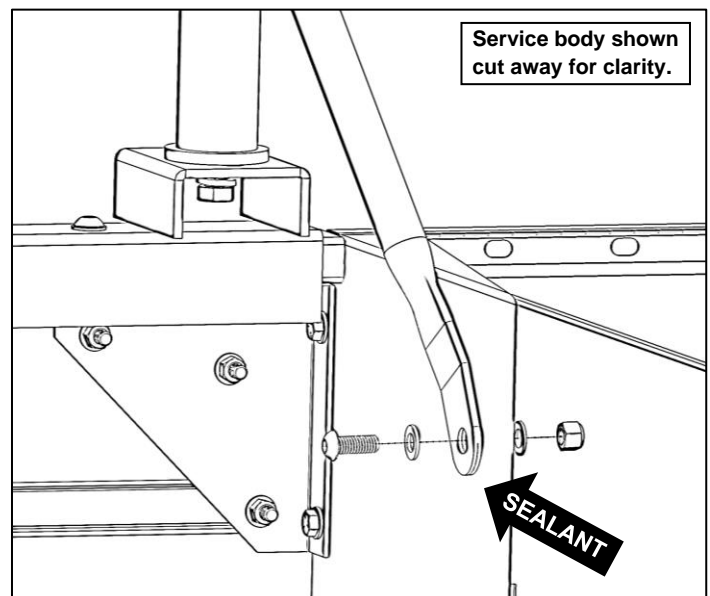
Step 14 – Install Support Arm

- Remove 1/2" lock nut and washer from ONLY one leg on side of rack.
- Position lower end of support arm against inside of service body. If necessary, support arm may need to be moved to opposite side of front leg.
- Position support arm to as close to 45 degrees as possible **while still allowing clearance for 3/8" washer and lock nut inside service body side panel.**
Be sure to allow clearance for flip top door if present.
- Mark location of hole in support arm onto service body side panel.
- Using 13/32" drill bit, drill holes through side panel of service body where marked.



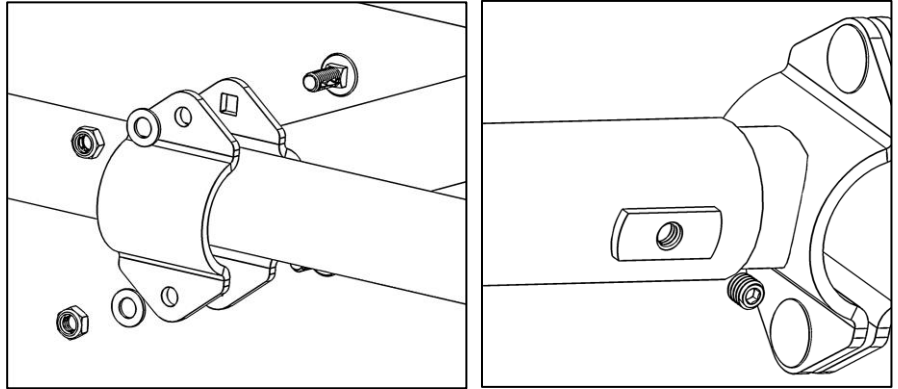
Be sure drilling location is clear of wires, fuel lines, brake lines and other important vehicle functionality items. Use a drill bit stop collar.

- Apply some sealant around the hole.
- Using one 3/8" button head screw, two 3/8" washers, and one 3/8" lock nut, attach support arm to service body side panel.
- Snug tighten but allow for movement.
- Repeat for opposite side.

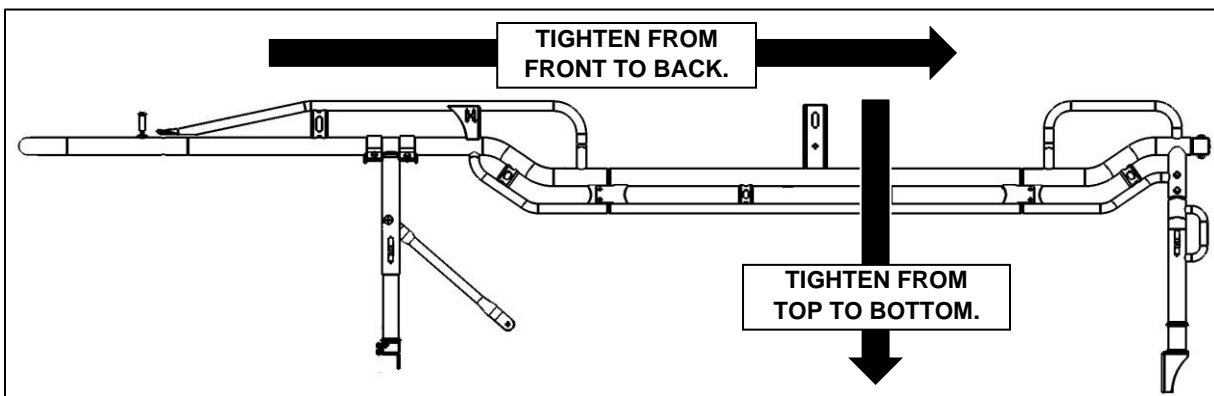


Step 15 – Install Extra Crossbar (extended and crew cab kits only)

- Using 3/8" x 1" carriage bolts, 3/8" washers, and 3/8" thin lock nuts, bolt each end of extra crossbar to bottom tube of side channels.
- Tighten.
- Using 3/8" set screw, tighten telescoping crossbars.



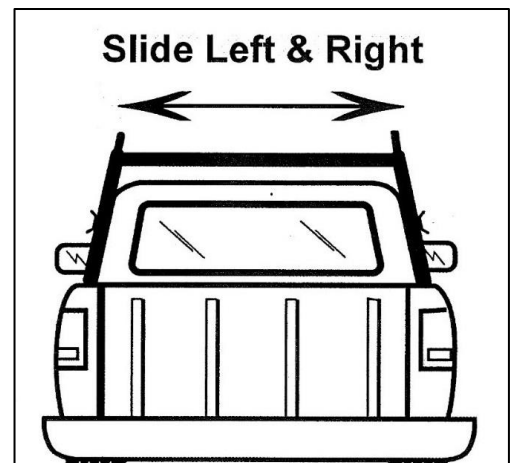
Step 16 – Tighten Hardware



- From front to back, with lock pin installed in rear take-out bar, tighten all side channel and upper front leg screws and bolts.
- Tighten front leg and crossbar hardware.
- Tighten mounting hardware.
- Securely fasten all foot screws and support arm screws.
- Tighten center crossbar.
- Ensure all hardware is tightened.

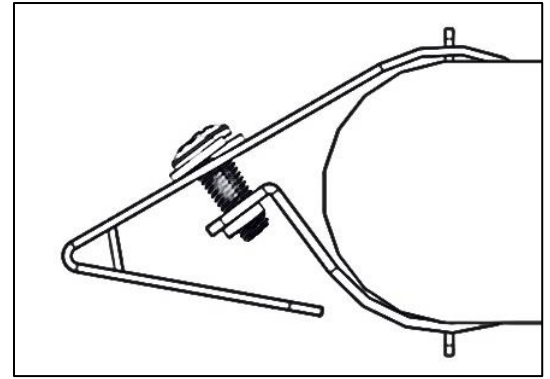
Step 17 – Take-out Bar Adjustment

- Verify rear crossbar lock-pin pulls in and out easily. If necessary, loosen center crossbar hardware, then slide rear crossbar hard left then right about 10 times to get lock-pins to seat properly.



Step 18 – Adjust Wind Deflector

The best angle for the wind deflector will depend on the vehicle the rack is installed on. Small angle adjustments can make a big difference. The image shown is approximately the best angle to start with.



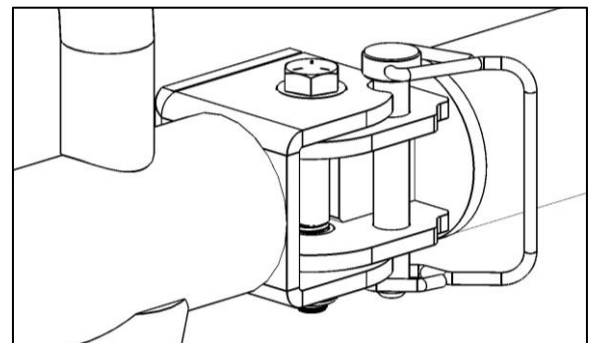
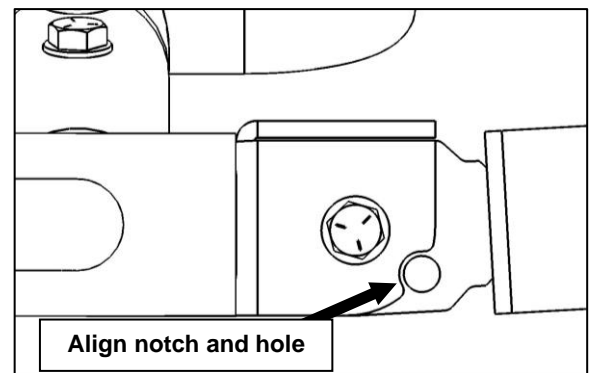
Using Rear Take-out Bar Position Lock

The rear take-out bar is able to be locked in an open position.



DO NOT DRIVE VEHICLE WITH REAR TAKE-OUT BAR IN OPEN POSITION!

- Remove the pin from the rear take-out bar.
- Open the bar fully.
- Align the hole and notch in take-out bar receiver.
- Insert the pin in the hole and lock the pin in the lock position.



GO BACK AND TIGHTEN ALL HARDWARE.

If cordless impact wrench was used to assemble, tighten all hardware using wrenches and sockets.

INSTALLATION AND ASSEMBLY ARE COMPLETE.