



---

## ASSEMBLY AND MOUNTING INSTRUCTIONS

---

### GENERAL

---

- **WARNING-ALWAYS UNPLUG THE LAMP TO CUT ELECTRIC POWER OFF BEFORE INSTALLING, CLEANING, OR OTHER MAINTENANCE.**
- **FAILURE TO INSTALL FIXTURE CORRECTLY COULD RESULT IN SERIOUS INJURY OR DEATH**
- READ ALL INSTRUCTIONS BEFORE STARTING INSTALLATION.
- BEFORE DISCARDING THE CARTON DOUBLE CHECK THE PACKAGING TO MAKE SURE ALL PARTS HAVE BEEN FOUND.

---

### INSTALLATION

---

- STEP 1.** Remove the table lamp and parts from the Carton.
- STEP 2.** Attach the glass shade onto metal frame, secured it with the plastic plate, metal plate and end nut.
- STEP 3.** Install the Lamp. This fixture is rated for 60 watt TYPE G lamp.
- STEP 4.** **DO NOT EXCEED RECOMMENDED WATTAGE** Plug cord into a qualified socket of properly rated voltage.
- STEP 5.** On/Off switch installed on cord.

---

### CLEANING

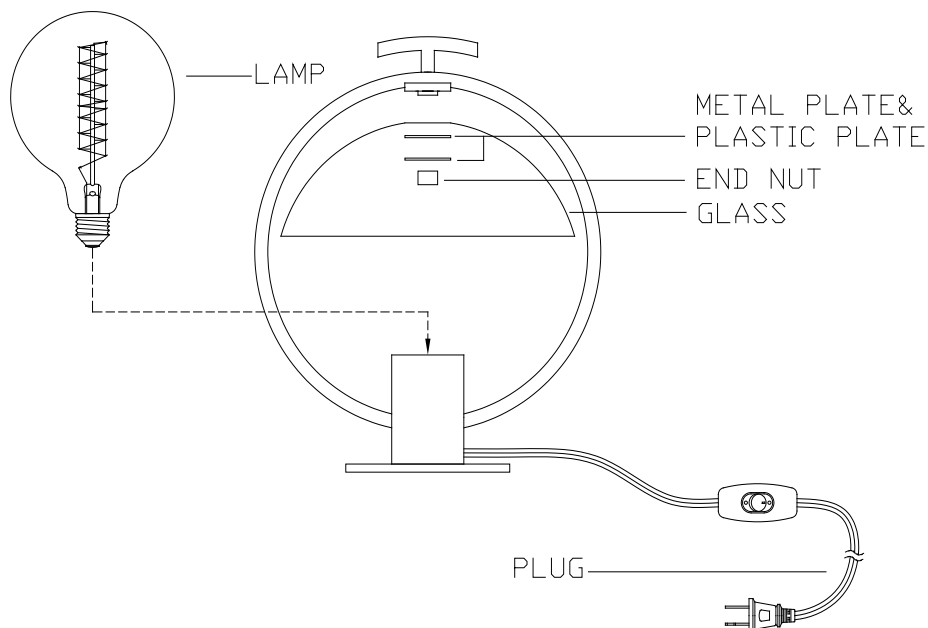
---

Please clean with a soft, dry cloth ONLY! Do not use cleaning products

---

### ASSEMBLY AND MOUNTING DIAGRAM

---





**mitzi**  
HUDSON VALLEY LIGHTING

**HL387201 RINGO TABLE LAMP**

---