

Features

- Low-profile design.
- Complements a variety of bathroom styles.
- Can be used with any audio system and also integrated with the DTV+™ Digital Showering System.

Installation

- Mounts within standard 2" x 4" (38 x 102 mm) walls.
- Mounts to the wall or ceiling.
- Speaker installs after finished wall is complete.

Recommended Products/Accessories

K-23723 Faucet cleaner

Optional Products/Accessories

K-99696 Amplifier Module



Codes/Standards






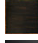



UL 1480

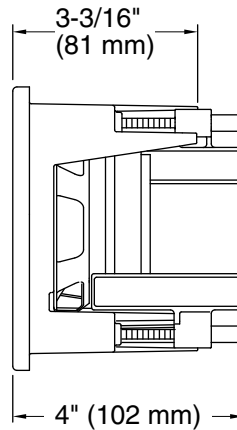
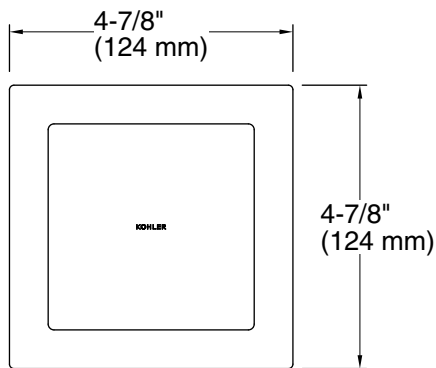
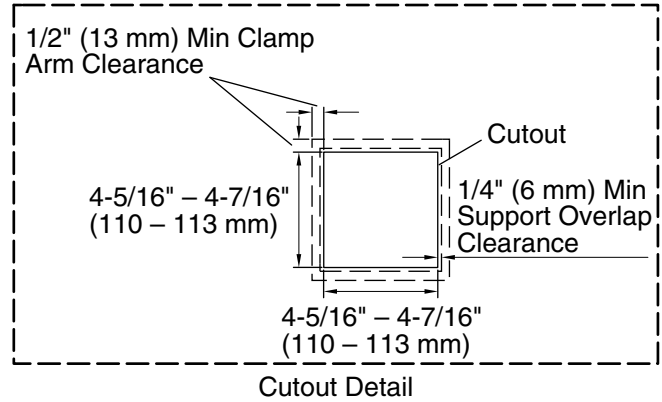
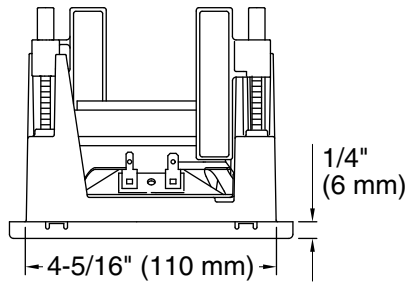
KOHLER® Electronic Faucets, Valves, and Controls Five-Year Limited Warranty

See website for detailed warranty information.

Available Colors/Finishes

Color tiles intended for reference only.

Color	Code	Description
	CP	Polished Chrome
	SN	Vibrant® Polished Nickel
	AF	Vibrant® French Gold
	BN	Vibrant® Brushed Nickel
	BV	Vibrant® Brushed Bronze
	2BZ	Oil-Rubbed Bronze
	BL	Matte Black
	2MB	Vibrant® Brushed Moderne Brass
	TT	Vibrant Titanium



Technical Information

- All product dimensions are nominal.
- Installation Type: Wall-mount
- Material: Metal
- Speaker wire gauge: Accepts 12-16 AWG
- Max. Ambient temp: 122°F (50°C)
- Peak power: 135 Watts
- Average power: 45 Watts

Notes

- Install this product according to the installation guide.
- Recommended wire connections using solder or standard quick-disconnect terminals (0.187" x 0.020" for the positive connection and 0.110" x 0.020" for the negative connection).
- Installer to provide sheathed speaker wire.