

### Features

- Bask® heated surface creates spa-like relaxation with soothing warmth on your back, shoulders, and neck.
- Three heat settings allow you to customize the surface temperature.
- Freestanding design creates a striking focal point in your bathing area.
- 16" (406 mm) depth offers a deep soaking experience.
- Integral lumbar support on both ends.
- Textured bottom surface.
- Wide deck along one side simplifies installation and provides support for getting in and out of bath.
- Center drain.
- Fluted shroud.

### Material

- Acrylic.

### Installation

- Freestanding.

### Recommended Products/Accessories

- K-7265 Brass toe tap bath drain
- K-24916 Wireless Music Kit
- K-37385 rough-in cable drain, PVC, 45" cable
- K-23726 Drain treatment
- K-23732 Tub & shower cleaner



### Codes/Standards

- CSA B45.5/IAPMO Z124
- ASTM E162
- ASTM E662
- UL 1795
- CSA C22.2 No. 218.2



### KOHLER® Plastic Baths and Shower Bases Lifetime Limited Warranty

See website for detailed warranty information.

### Available Colors/Finishes

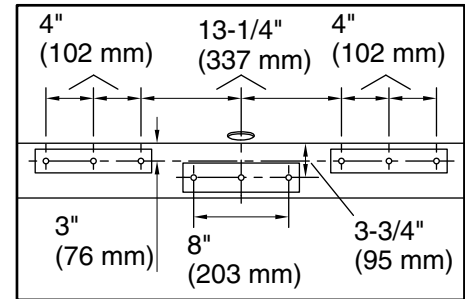
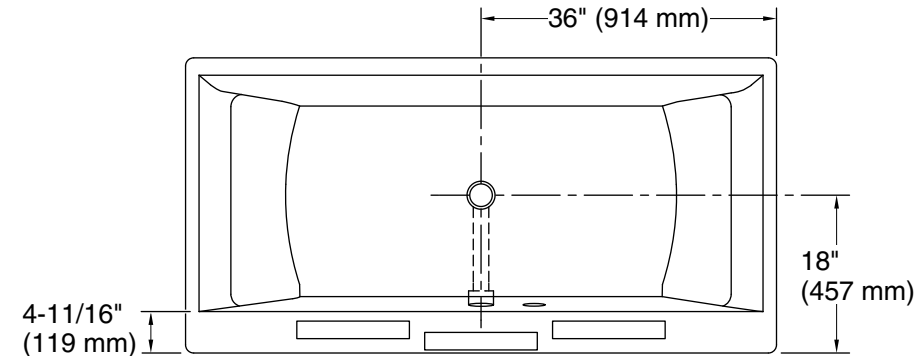
*Color tiles intended for reference only.*

Color	Code	Description
-------	------	-------------

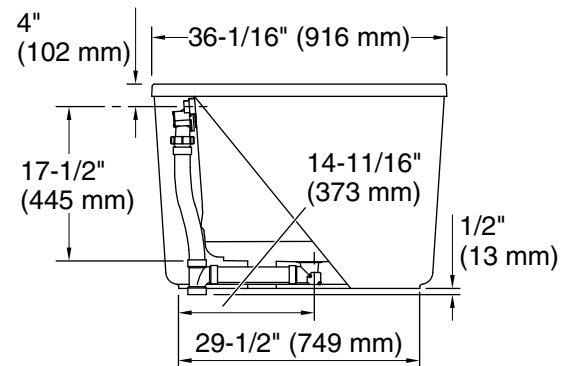
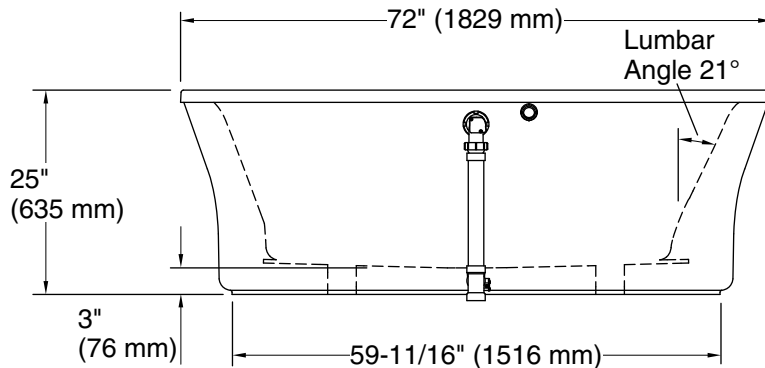
	0	White
	96	Biscuit

No change in measurements if connected with drain illustrated. (K-37386)

□ Recommended Faucet Location



Recommended Faucet Hole Location



### Required Electrical Service

One circuit required, protected with Class A Ground-Fault Circuit-Interrupter (GFCI). Outside North America, this device may be known as a Residual Current Device (RCD).

Heated Surface: 120 V, 15 A, 60 Hz

### Technical Information

All product dimensions are nominal.

Installation: Freestanding

Drain location: Center

Weight: 91 lbs (41.3 kg)

Minimum floor load: 45 lbs/ft<sup>2</sup> (219.7 kg/m<sup>2</sup>)

Water depth: 15-11/16" (398 mm)

Water capacity: 72 gal (272.5 L)

Template: Footprint, 1245665, not required, not included

Electrical component rating: Heated Surface: 120 V, 1.1 A, 50/60 Hz, 65 W

### Notes

Measure your actual product for rough-in details.

Install this product according to the installation instructions.

The hot water supply should be 70% of the capacity of the bath or greater. Installations will vary.

If installing a rim-mount faucet, make sure there is no interference above or below the deck before drilling any holes.