

Features

- Beautifully translucent glass round basin.
- No faucet holes; requires wall- or counter-mount faucet.

Material

- Glass.

Installation

- Above-counter or drop-in.

Recommended Products/Accessories

- K-7107 Decorative Drain
- K-7108 Decorative Drain
- K-7129 Drain
- K-9033 Bottle trap, 1-1/4" x 1-1/4"
- K-23726 Drain treatment
- K-23723 Faucet cleaner

Included Components

- Additional Components:
84938



ADA

OBC

Codes/Standards











- CSA B45.11/IAPMO Z401
- CSA B45.5/IAPMO Z124
- ADA
- ICC/ANSI A117.1
- OBC

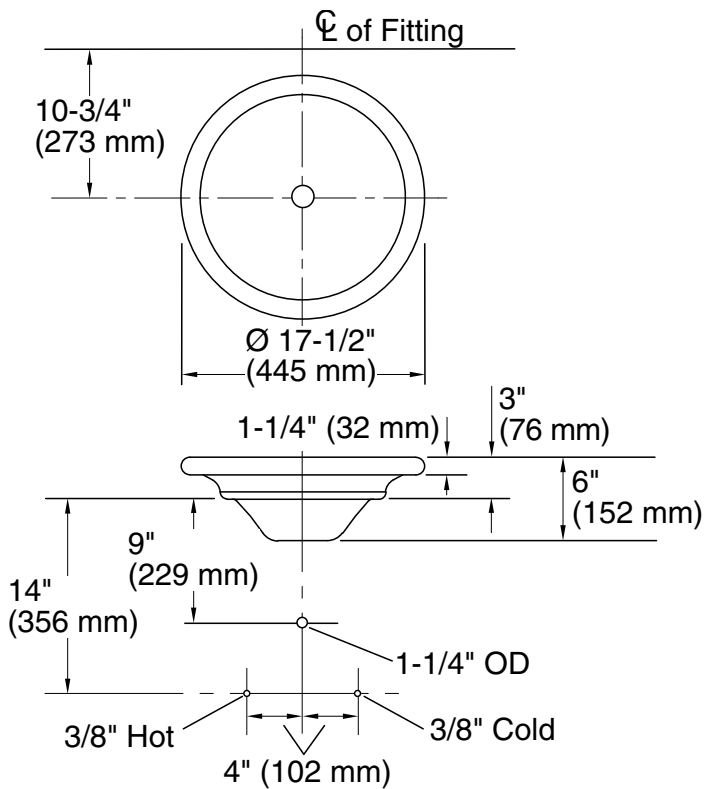
KOHLER® One-Year Limited Warranty

See website for detailed warranty information.

Available Colors/Finishes

Color tiles intended for reference only.

Color	Code	Description
	B11	Ice
	B1	Clear Glass
	B2	Aquamarine Glass
	B3	Cobalt Glass
	TG1	Translucent Dusk
	TG2	Translucent Dew
	TG3	Translucent Doe
	TG6	Translucent Sapphire
	TG7	Translucent Sandalwood
	TG8	Translucent Stone

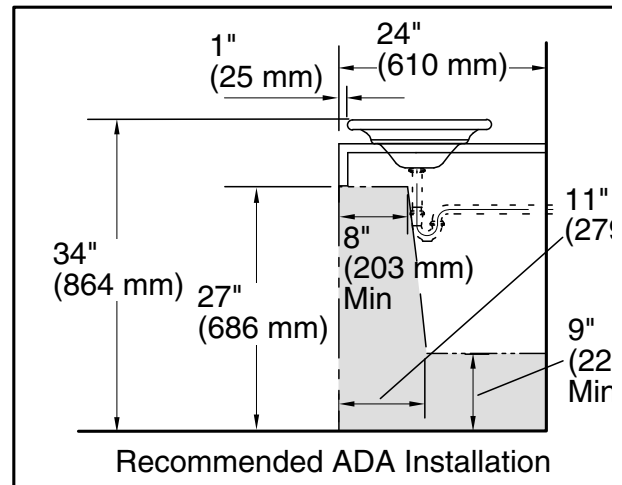


Standard Installation

Technical Information

All product dimensions are nominal.

Bowl configuration:	Single
Installation:	Vessel
Bowl area (Only):	Diameter: 15" (381 mm) Bowl depth: 5-1/2" (140 mm) Water depth: 5-1/2" (140 mm)
Template:	115888-7, required, included



Notes

Install this product according to the installation instructions.

Spout must be 5" (127 mm) long (min) for adequate clearance into lavatory when installed with centerline as shown.

Spout must be tall enough to clear 3" (76 mm) rim height and provide a 1" (25 mm) air gap per ASME A112.1.2.

Diagram is based on the K-9018 P-trap with a 1" (25 mm) tailpiece exposed.

ADA, OBC compliant when installed to the specific requirements of these regulations.