

Features

- 27" (686 mm) minimum base cabinet width for undermount or top-mount installation.
- Single bowl.
- 10" (254 mm) depth provides generous workspace.
- Includes one faucet hole and option for three additional holes for knockout with ball-peen hammer and punch.
- Includes K-80049 sink rack.
- Matte finish offers rich, dimensional color.

Material

- KOHLER Neoroc® composite is durable and built to withstand day-to-day cleaning tasks.
- Solid color throughout the sink.
- Heat-resistant up to 750°F.
- Scratch, stain, chip, and thermal-shock resistant.

Installation

- Cutout templates included.
- Top-mount or undermount.

Recommended Products/Accessories

- K-8801 Sink drain and strainer with tailpiece
- K-9000 P-Trap
- K-8799 Sink drain and strainer basket
- K-23726 Drain treatment
- K-23730 Neoroc® cleaner

Optional Products/Accessories

- K-11352 Disposal Flange with Stopper

Included Components

- Additional Components:
K-80049



Codes/Standards





CSA B45.5/IAPMO Z124

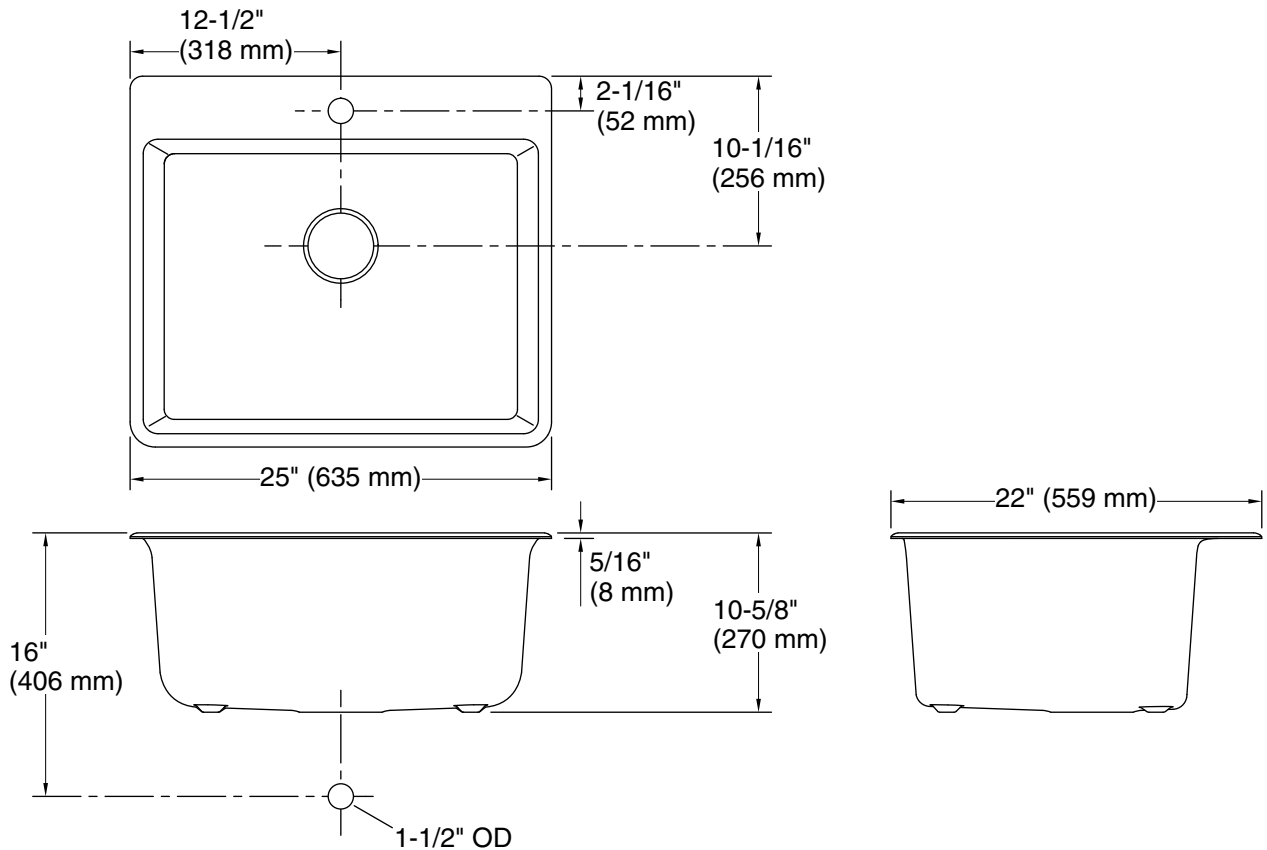
KOHLER® Neoroc® Sinks Lifetime Limited Warranty

See website for detailed warranty information.

Available Colors/Finishes

Color tiles intended for reference only.

| Color | Code | Description |
|---|------|----------------|
|  | CM7 | Matte Graphite |
|  | CM1 | Matte Black |
|  | CM2 | Matte Brown |
|  | CM3 | Matte Taupe |



Technical Information

All product dimensions are nominal.

| | |
|--------------------------|--|
| Bowl configuration: | Single |
| Installation: | Top-mount, Undermount |
| Min. base cabinet width: | 27" (686 mm) |
| Bowl area (Only): | Length: 16-15/16" (430 mm) Width: 22-1/8" (561 mm) Bowl depth: 10" (254 mm) Water depth: 10" (254 mm) |
| Number of deck holes: | 1 |
| Drain hole: | 3-7/8" (98 mm) |
| Template: | 1354775-7, required, included |

Notes

Install this product according to the installation instructions.

NOTICE: Countertop manufacturer or cutter must use the cut-out template provided with the product, or a current one provided by Kohler Co. (call 1-800-4-KOHLER). Kohler Co. is not responsible for cutout errors when the incorrect cut-out template is used.