



# Verticyl® Rectangle

Undermount bathroom sink  
K-8189

## Features

- Geometric rectangular basin with vertical sides.
- Overflow drain.
- No faucet holes; requires wall- or counter-mount faucet.

## Material

- Vitreous china.

## Installation

- Undermount.

## Recommended Products/Accessories

- K-8998 P-Trap
- K-23726 Drain treatment
- K-23725 Cast iron cleaner

## Included Components

- Additional Components:
- 1193643 Basin clamps



ADA CSA B651 OBC

## Codes/Standards







ASME A112.19.2/CSA B45.1  
ADA  
ICC/ANSI A117.1  
CSA B651  
OBC

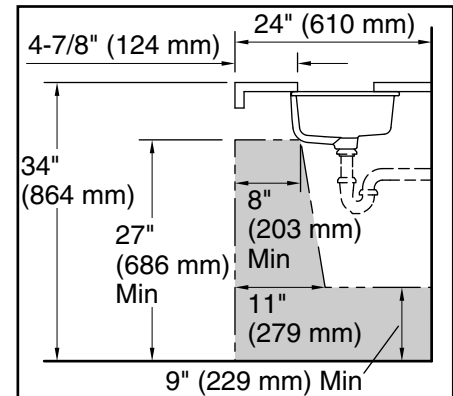
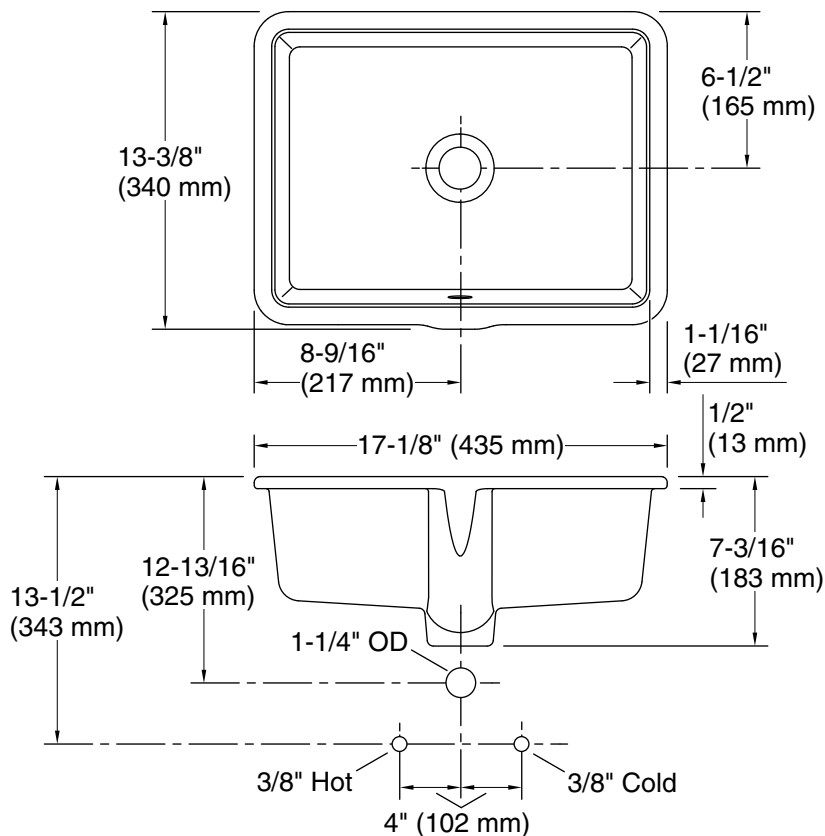
## KOHLER® One-Year Limited Warranty

See website for detailed warranty information.

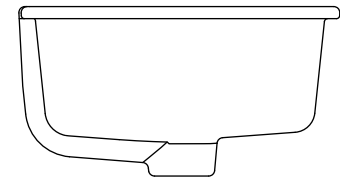
## Available Colors/Finishes

*Color tiles intended for reference only.*

Color	Code	Description
	0	White
	96	Biscuit
	NY	Dune
	95	Ice™ Grey
	58	Thunder™ Grey
	7	Black Black™



**Recommended ADA Installation**



### Technical Information

All product dimensions are nominal.

Bowl configuration:	Single
Installation:	Undermount
Bowl area (Only):	Length: 15-1/4" (387 mm) Width: 11-1/2" (292 mm) Bowl depth: 5-1/8" (130 mm) With overflow: Yes Water depth: 3-7/16" (88 mm)
With overflow:	Yes
Drain hole:	1-3/4" (44 mm)
Template:	Undermount, 1372556-7, required, not included

### Notes

Install this product according to the installation instructions.

**NOTICE:** Countertop manufacturer or cutter must use the current product template available at [www.kohler.com](http://www.kohler.com), or by calling 1-800-4KOHLER. Kohler Co. is not responsible for cutout errors when the incorrect cutout template is used.

ADA, OBC, CSA B651 compliant when installed to the specific requirements of these regulations.