

Features

- 1.2 gpm (4.5 lmin) maximum flow rate.
- 4-3/8" (111 mm) spout reach.
- Single lever handle allows for both volume and temperature control.
- Red/blue indexing on handle.
- Temperature memory allows faucet to be turned on and off at the temperature set during prior usage.
- Includes metal pop-up drain with 1-1/4" tailpiece.
- Coordinates with other products in the July collection.

Material

- Premium metal construction for durability and reliability.
- KOHLER finishes resist corrosion and tarnishing.

Technology

- KOHLER ceramic disc valves exceed industry longevity standards for a lifetime of durable performance.

Installation

- Bath- or deck-mount.
- Flexible supplies for simplified installation.
- For single-hole installation.
- Preattached flexible supply lines simplify installation.

Recommended Products/Accessories

- K-23726 Drain treatment
- K-23723 Faucet cleaner



Codes/Standards



ASME A112.18.1/CSA B125.1
NSF/ANSI 61
NSF/ANSI 372
All applicable US Federal and State material regulations
DOE - Energy Policy Act 1992
EPA WaterSense®
California Energy Commission (CEC)
ADA
ICC/ANSI A117.1
CSA B651
OBC

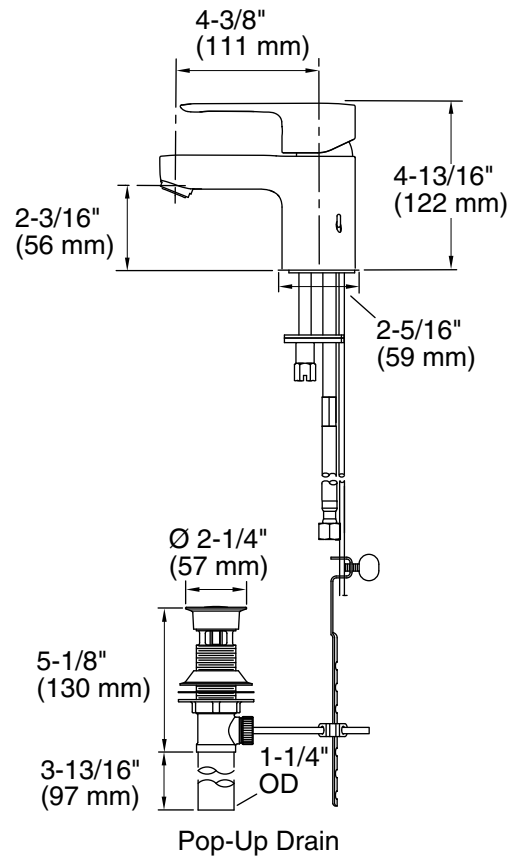
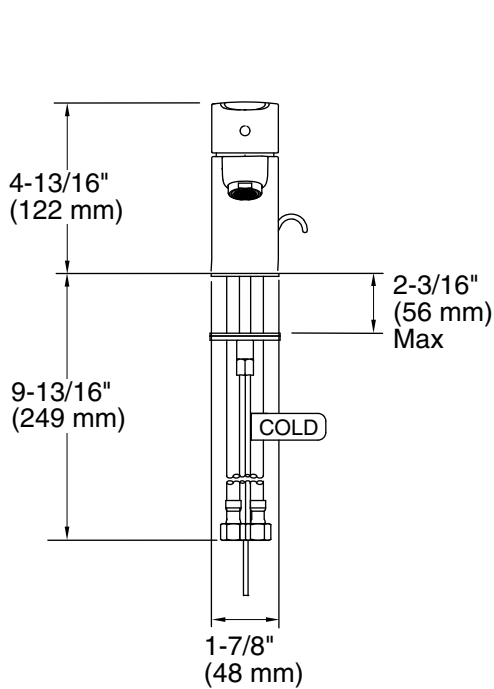
KOHLER® Faucet Lifetime Limited Warranty

See website for detailed warranty information.

Available Colors/Finishes

Color tiles intended for reference only.

Color	Code	Description
	CP	Polished Chrome
	G	Brushed Chrome



Technical Information

All product dimensions are nominal.

Faucet:

Flow rate: 1.2 gal/min (4.5 l/min)

Pressure: 60 psi (4.1 bar)

Drain included: Yes

Spout:

Spout reach: 4-3/8" (111 mm)

Notes

Install this product according to the installation guide.

ADA compliant for handles only.

ADA, OBC, CSA B651 compliant when installed to the specific requirements of these regulations.