

## Features

- 0.5 gpm (1.9 lpm) maximum flow rate.
- Factory-set 30-second maximum continual run cycle.
- Vandal-resistant aerator.
- 24" (610 mm) flexible supply hose for easy installation.
- 6-3/16" (157 mm) spout reach.
- Less drain.

## Material

- Brass.

## Technology

- Requires an AC power supply.
- Electronic Insight™ sensor technology for accurate and consistent activation.

## Installation

- Single-hole mounting.
- Above-counter valve for easy installation and maintenance.
- 13480-A and 13481-A power supplies are designed for North America outlets. For international outlets please use 13480 and 13481.

## Required Products/Accessories

K-13480-A AC Single Supply

or

K-13481-A Multi-Outlet Power Supply

or

K-13480 AC Single Supply

or

K-13481 Multi-Outlet Power Supply

## Recommended Products/Accessories

K-23726 Drain treatment

K-23723 Faucet cleaner

## Optional Products/Accessories

1160593 .35 gpm Aerator, Small

1139286 Small Aerated 1.0 gpm (3.8 l/min)

1139287 Small Laminar 1.0 gpm (3.8 l/min)

1053576 Small Aerated 1.5 gpm (5.7 l/min)

1053532 Small Laminar 1.5 gpm (5.7 l/min)

78783 Sealing Washer

1075440 Small Spray 0.5 gpm (1.9 l/min)



ADA

CSA B651

OBC

## Codes/Standards

ASME A112.18.1/CSA B125.1

NSF/ANSI 372

All applicable US Federal and State material regulations

DOE - Energy Policy Act 1992

ADA

ICC/ANSI A117.1

CSA B651

OBC

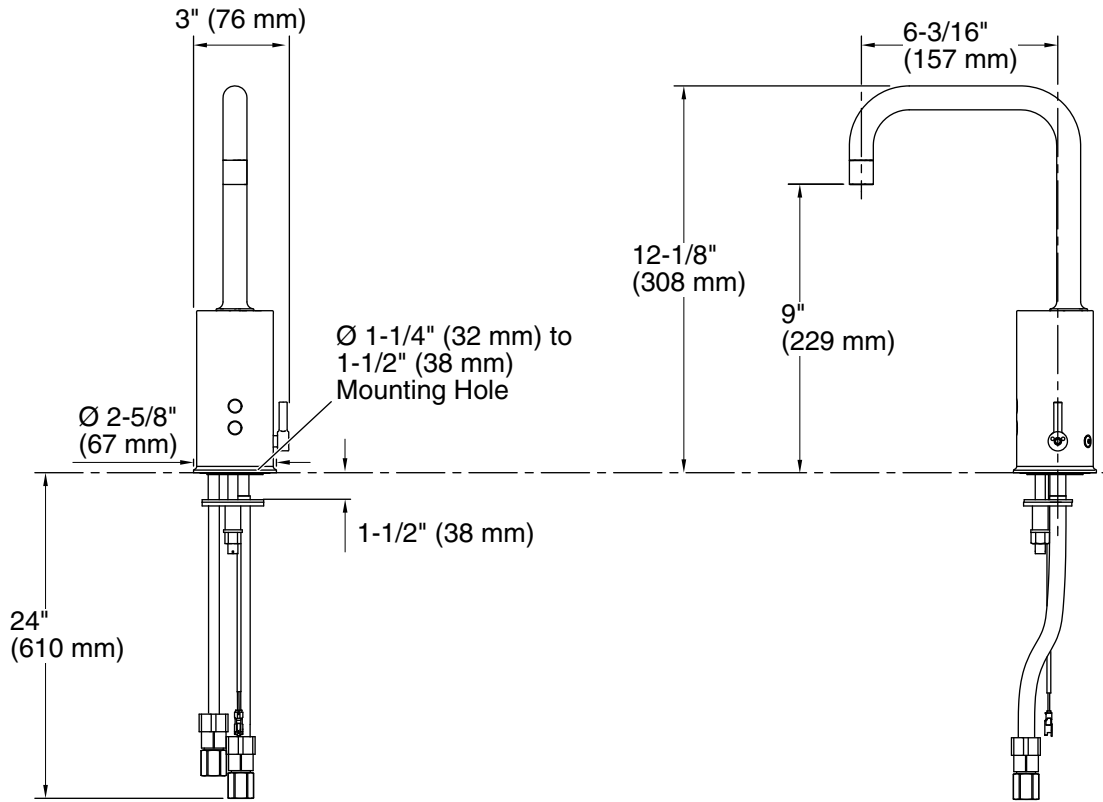
## KOHLER® One-Year Limited Warranty

See website for detailed warranty information.

## Available Colors/Finishes

*Color tiles intended for reference only.*

Color	Code	Description
	CP	Polished Chrome



### Technical Information

All product dimensions are nominal.

Power source: Plug - AC, not included

### Faucet:

Flow rate: 0.5 gal/min (1.9 l/min)

Valve body: Machined-brass

### Notes

Install this product according to the installation guide.

A 1-1/4" (32 mm) minimum to 1-1/2" (38 mm) maximum diameter mounting hole is required.

The minimum distance between the back of the faucet spout and the wall must be 1-3/4" (44 mm). This will allow proper clearance for setscrew access.

The maximum distance between the bathroom sink basin edge to the base of the faucet spout must be 1-3/4" (44 mm).

The maximum height of the lip basin should be 3/4" (19 mm).

Product includes rosebud spray aerator. Other aerator styles are available. Please contact your distributor or see Kohler.com.

This product requires an AC power supply (not included).

ADA, OBC, CSA B651 compliant when installed to the specific requirements of these regulations.