

Features

- Single handle controls both on/off activation and temperature settings.
- 8-11/16" (220 mm) spout reach.
- 10.0 gpm (3.8 lpm) maximum bath faucet flow rate at 45 psi (3.1 bar).
- 1.75 gpm (6.6 lpm) maximum handshower flow rate at 80 psi (5.5 bar).
- KOHLER ceramic disc valves exceed industry longevity standards for a lifetime of durable performance.
- Coordinates with other products in the Parallel collection.

Material

- Premium metal construction for durability and reliability.
- KOHLER finishes resist corrosion and tarnishing.

Installation

- Floor-mount.

Required Products/Accessories

K-97339 Multiproduct Mounting-block

Recommended Products/Accessories

K-23726 Drain treatment
K-23723 Faucet cleaner



Codes/Standards




ASME A112.18.1/CSA B125.1
DOE - Energy Policy Act 1992
EPA WaterSense®
California Energy Commission (CEC)

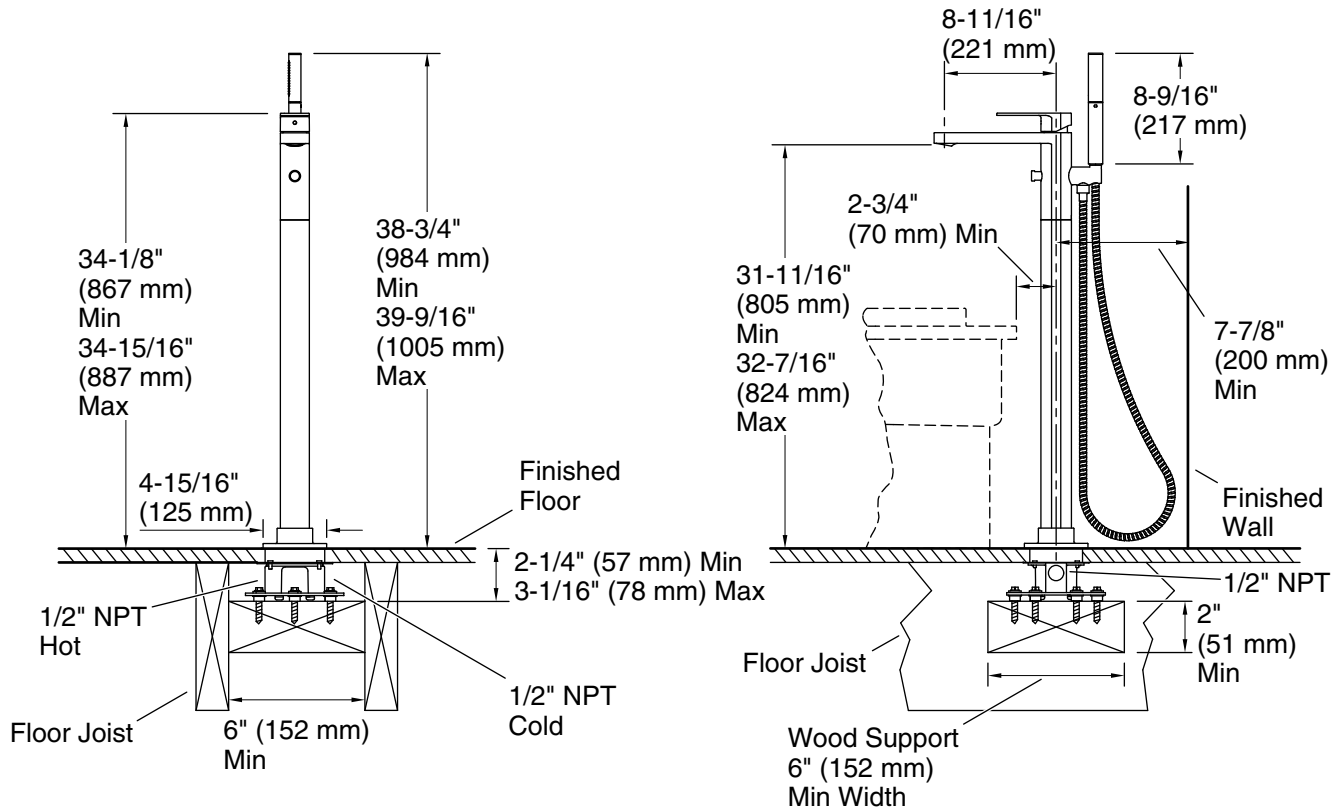
KOHLER® Faucet Lifetime Limited Warranty

See website for detailed warranty information.

Available Colors/Finishes

Color tiles intended for reference only.

Color	Code	Description
	CP	Polished Chrome
	BN	Vibrant® Brushed Nickel
	BL	Matte Black



Technical Information

All product dimensions are nominal.

Faucet:

Flow rate: 10 gal/min (37.9 l/min)

Pressure: 45 psi (3.1 bar)

Drain included: No

Spout:

Spout reach: 8-11/16" (220 mm)

Handshower:

Rated maximum flow: 1.75 gal/min (6.6 l/min)

Pressure: 80 psi (5.5 bar)

Notes

Install this product according to the installation instructions.

Adequate floor support is required. The wood support must be a minimum of 2" (51 mm) thick by 6" (152 mm) wide. 2x6 lumber is NOT adequate for this application.

Concrete can be used as the floor support.

Requires 3/16" masonry drill bit and six 1/4" x 1-3/4" concrete screws, not included.