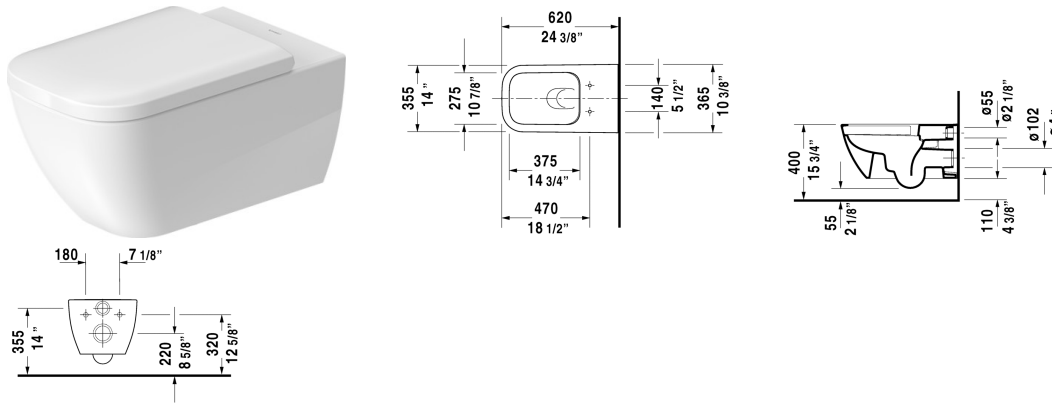


Happy D.2 Toilet wall-mounted Duravit Rimless® & #
255009..92 / 255009..92

< 14 3/8" Inch >



Toilet wall-mounted Duravit Rimless®	Dimension	Weight	Order number
rimless, washdown model, Durafix included, cUPC® listed*			
Colors			
00 White 20 HygieneGlaze (an antibacterial ceramic glaze that provides almost indefinite effectiveness)			
Variant			
♣ 1.6/0.8 gpf	14 3/8" x 24 3/8" Inch	62.2 lb	255009..92
♣ 1.6/0.8 gpf	14 3/8" x 24 3/8" Inch	62.2 lb	255009..92
Infobox			
* Complies with following standards: ASME A112.19.2/CSA B45.1 and ASME A112.19.14, Durafix for concealed installation is included, Wall-mounted toilet is ADA compliant, when installed with a seat height of 17" - 19" from the finished floor, In-wall tank & carrier and actuator plate required for installation			
Sanitary ceramics with the special WonderGliss surface finish will remain clean and attractive-looking for a long time to come. When ordering WonderGliss please add a "1" as eleventh digit to the model number.			
Actuator plate A1, for toilet, plastic mechanical actuation, for surface mounted installation, dual flush, mounting frame, mounting hardware included, push rods, front plate plastic	8 1/2" x 5 3/4" Inch	0.7 lb	WD5008
Toilet in-wall tank & carrier, Standard For 2"x4" and 2"x6" wall installation, for toilets with a projection of <= 24 5/8", adjustable feet 0" - 9 1/2", SensoWash ready, mechanical front flush actuation, includes in-wall tank, marking of filling height, dual flush, insulated against condensation, Scope of delivery, HDPE wall-mounted toilet connection bend DN 90/90, PE wall-mounted toilet connection set DN 90, wall-mounted mounting rods M12, mounting hardware included, 2 bolt caps, cUPC® listed*	23 1/4" x 45 1/4" Inch	35.3 lb	WD1022

Happy D.2 Toilet wall-mounted Duravit Rimless® & #
255009..92 / 255009..92

|< 14 3/8" Inch >|

Noise reduction gasket for wall-mounted toilet	0.7 lb	005064
Suitable products		
Toilet seat and cover hinges stainless steel, elongated, removable, without slow close,		006461
Toilet seat and cover hinges stainless steel, elongated, with slow close,		006469

All drawings contain the necessary measurements which are subject to standard tolerances. They are stated in inch & mm and are non-binding. Exact measurements, in particular for customized installation scenarios, can only be taken from the finished ceramic piece.