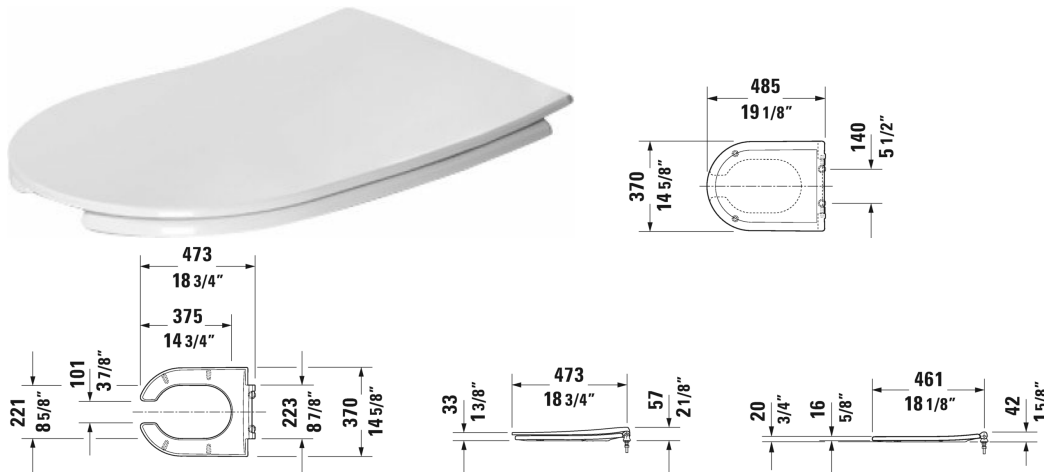


Starck 3 Toilet seat and cover # 0066010000



Toilet seat and cover	Dimension	Weight	Order number
open front, elongated, hinges stainless steel, without slow close			
Colors			
00 White			
Variant			
		9.3 lb	0066010000
Suitable products			
Toilet wall-mounted visible inlet, syphonic, includes inlet spud 1 1/2", horizontal outlet, cUPC® listed*, 1.28 gpf, 14 5/8" x 26" Inch	14 5/8" x 26" Inch		222909
Toilet wall-mounted concealed inlet, syphonic, includes inlet spud 1 1/2", horizontal outlet, cUPC® listed*, 1.28 gpf, 14 5/8" x 26" Inch	14 5/8" x 26" Inch		256009
Toilet floorstanding visible inlet, syphonic, comfort height 16 1/2", includes inlet spud 1 1/2", vertical outlet, cUPC® listed*, 1.28 gpf, 14 5/8" x 27 1/2" Inch	14 5/8" x 27 1/2" Inch		216501

All drawings contain the necessary measurements which are subject to standard tolerances. They are stated in inch & mm and are non-binding. Exact measurements, in particular for customized installation scenarios, can only be taken from the finished ceramic piece.