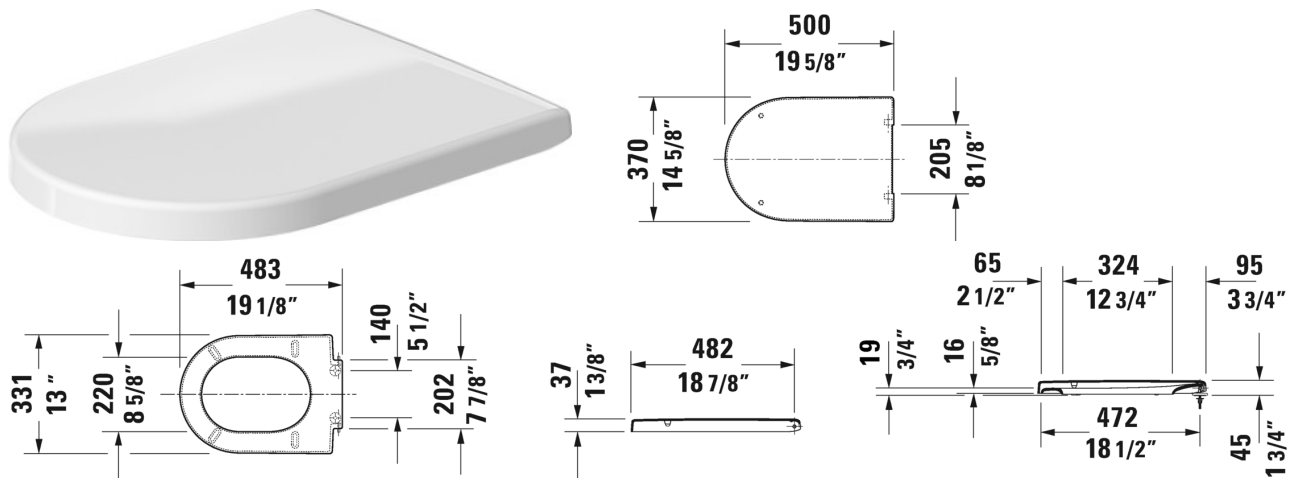


Starck 3 Toilet seat and cover # 0063320000



Toilet seat and cover	Dimension	Weight	Order number
elongated, hinges stainless steel, without slow close			
Colors			
00 White			
Variant			
		4.4 lb	0063320000
Suitable products			
Two-Piece toilet (without tank), suitable for SensoWash Starck, syphonic, 12" rough-in, vertical outlet, cUPC® listed*, 1.28 gpf, 14 5/8" x 27 3/4" Inch	14 5/8" x 27 3/4" Inch		212501
One-Piece toilet suitable for SensoWash Starck, syphonic, 12" rough-in, with single flush mechanism, with side lever, 3" flapper valve, vertical outlet, cUPC® listed*, 1.28 gpf, 14 5/8" x 28 1/8" Inch	14 5/8" x 28 1/8" Inch		212001
Toilet wall-mounted washdown model, suitable for SensoWash Starck, Durafix included, cUPC® listed*, 14 1/8" x 24 3/8" Inch	14 1/8" x 24 3/8" Inch		222609
One-Piece toilet back-to-wall, syphonic, 12" rough-in, with single flush piston valve, top flush, suitable for SensoWash Starck, cUPC® listed*, 1.28 gpf, 15 3/4" x 28 1/8" Inch	15 3/4" x 28 1/8" Inch		212301
Two-Piece toilet (without tank), suitable for SensoWash Starck, syphonic, 12" rough-in, vertical outlet, cUPC® listed*, 1.28 gpf, 14 5/8" x 27 1/2" Inch	14 5/8" x 27 1/2" Inch		212601

All drawings contain the necessary measurements which are subject to standard tolerances. They are stated in inch & mm and are non-binding. Exact measurements, in particular for customized installation scenarios, can only be taken from the finished ceramic piece.