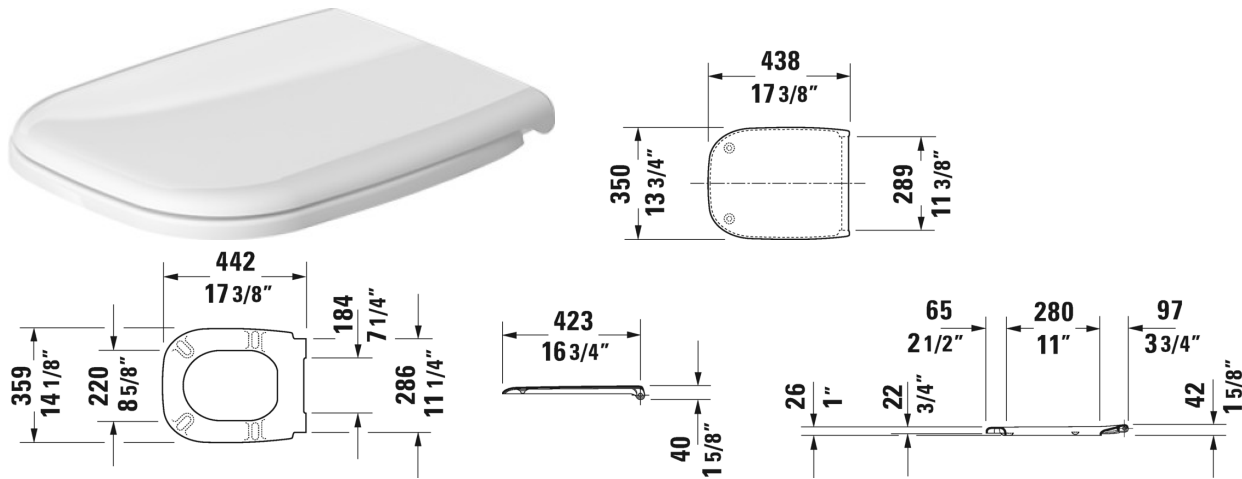


D-Code Toilet seat and cover # 0067390000



| Toilet seat and cover | Dimension | Weight | Order number |
|---------------------------------|-----------|--------|--------------|
| hinges plastic, with slow close | | | |
| Colors | | | |
| 00 White | | | |
| Variant | | | |
| | | 5.8 lb | 0067390000 |

All drawings contain the necessary measurements which are subject to standard tolerances. They are stated in inch & mm and are non-binding. Exact measurements, in particular for customized installation scenarios, can only be taken from the finished ceramic piece.