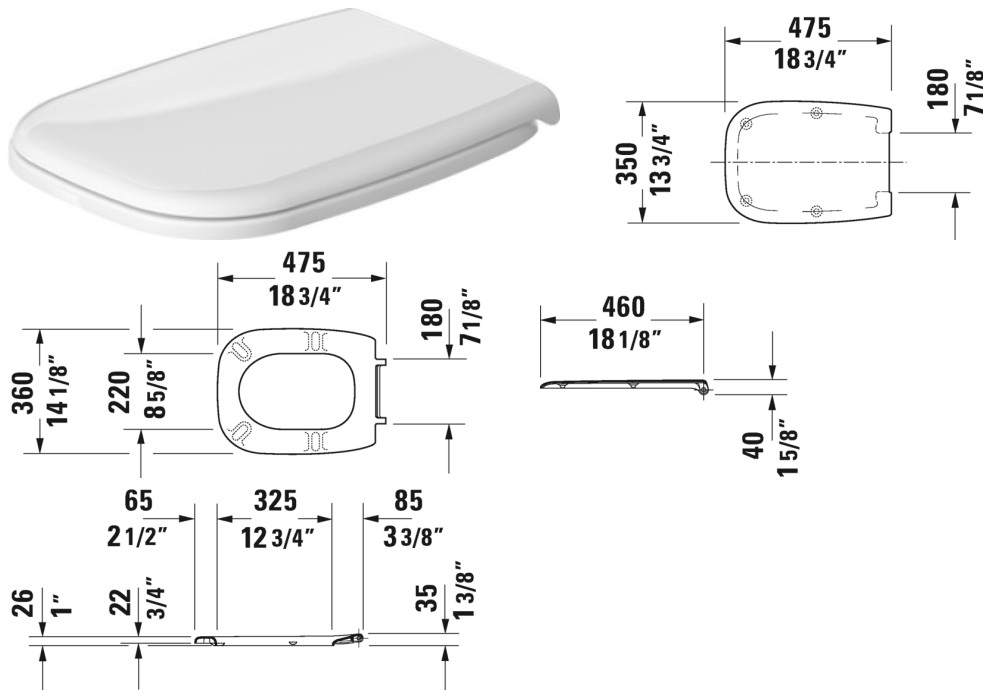


D-Code Toilet seat and cover # 0067410000



Toilet seat and cover	Dimension	Weight	Order number
elongated, hinges stainless steel, without slow close			
Colors			
00 White			
Variant			
		5.5 lb	0067410000
Suitable products			
One-Piece toilet syphonic, 12" rough-in, vertical outlet, cUPC® listed*, 1.28 gpf, 15 1/2" x 28 7/8" Inch	15 1/2" x 28 7/8" Inch		011301
Two-Piece toilet (without tank), syphonic, 12" rough-in, vertical outlet, cUPC® listed*, 13 3/4" x 27" Inch	13 3/4" x 27" Inch		011701

All drawings contain the necessary measurements which are subject to standard tolerances. They are stated in inch & mm and are non-binding. Exact measurements, in particular for customized installation scenarios, can only be taken from the finished ceramic piece.