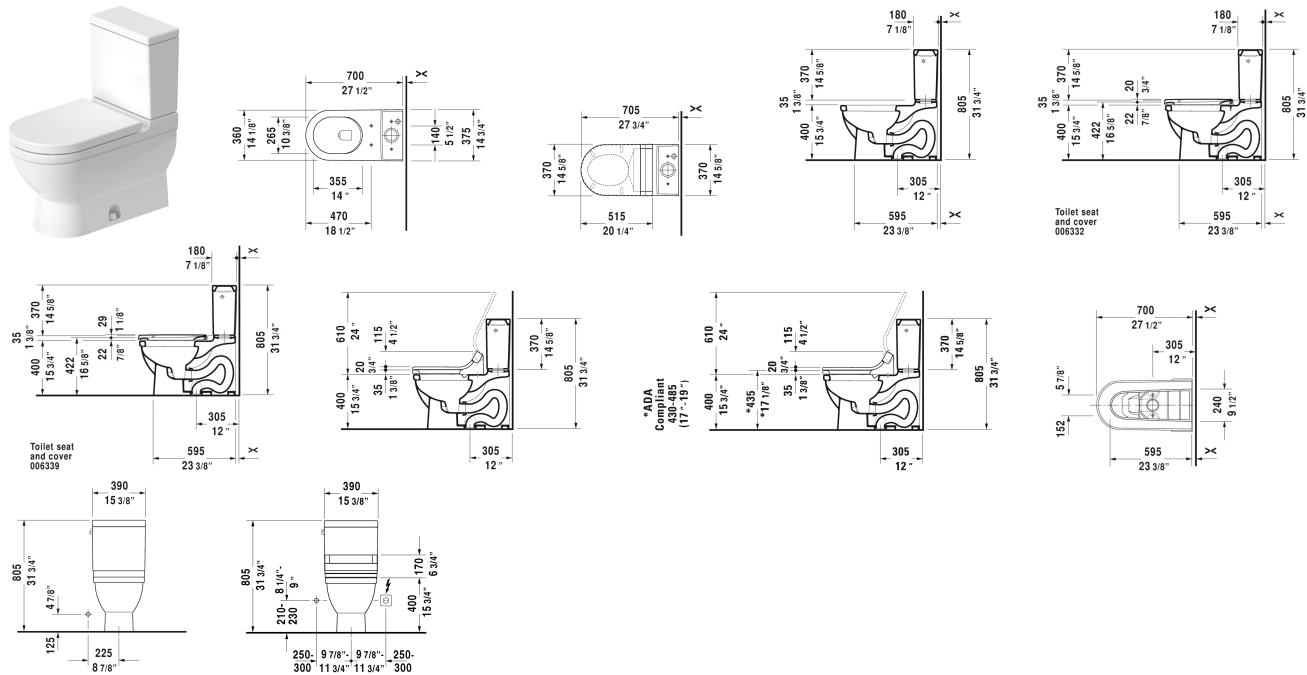


Starck 3 Two-Piece toilet # 212501..00 / 212501..00

< 14 5/8" Inch >



Two-Piece toilet	Dimension	Weight	Order number
(without tank), suitable for SensoWash Starck, syphonic, 12" rough-in, vertical outlet, cUPC® listed*, 1.28 gpf			
Colors			
00 White 20 HygieneGlaze (an antibacterial ceramic glaze that provides almost indefinite effectiveness)			
Variant			
•	14 5/8" x 27 3/4" Inch	85.8 lb	212501..00
•	14 5/8" x 27 3/4" Inch	85.8 lb	212501..00
Infobox			
* Complies with following standards: ASME A112.19.2/CSA B45.1, For suitable SensoWash® shower-toilet seats, please see matrix on page xxx, Not available with WonderGliss			
Mounting set for One-Piece and Two-Piece toilets, outlet 3/8" - male thread, wall connection 1/2" - female thread, 1/2", North American version			
17 3/4" Inch		1.1 lb	001417
Suitable products			

Starck 3 Two-Piece toilet # 212501..00 / 212501..00

|< 14 5/8" Inch >|

Tank with single flush mechanism, with side lever, 3" flapper valve, bottom left supply, cUPC® listed*, 15 3/8" x 7 1/8" Inch	15 3/8" x 7 1/8" Inch	092040
Toilet seat and cover elongated, hinges stainless steel, removable, with slow close,		006339
SensoWash® Starck shower-toilet seat for Starck 2, Starck 3 and Darling New* Rear-, Lady- and Comfortwash, individual adjustment of water-, air- and seat surface temperature as well as nozzle position and jet strength, power actuated lid and seat, night light, 2 individually programmable user profiles, remote control included, self-cleaning wand, on / off-button, Quick release: easy seat unit removal and attachment, 14 5/8" x 20 1/4" Inch	14 5/8" x 20 1/4" Inch	610000
Toilet seat ring elongated, open front, hinges plastic, without slow close,		006431
Toilet seat ring elongated, open front, hinges plastic, with slow close,		006439
Toilet seat and cover elongated, hinges stainless steel, without slow close,		006332

All drawings contain the necessary measurements which are subject to standard tolerances. They are stated in inch & mm and are non-binding. Exact measurements, in particular for customized installation scenarios, can only be taken from the finished ceramic piece.