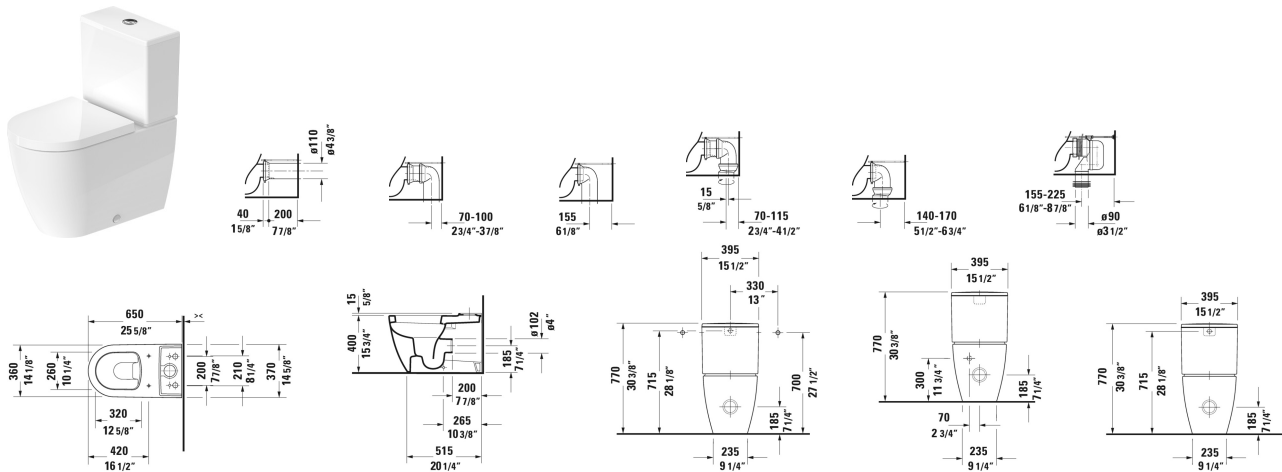


ME by Starck Toilet close-coupled # 217009..92 / 217009..92

< 14 5/8" Inch >



Toilet close-coupled	Dimension	Weight	Order number
(without tank), washdown model, hardware included, cUPC® listed*			
Colors			
00 White 20 HygieneGlaze (an antibacterial ceramic glaze that provides almost indefinite effectiveness)			
Variant			
<ul style="list-style-type: none"> 1.6/0.8 gpf, outlet for vario connector set, for horizontal and vertical outlet, length adjustable from 2 3/4" - 7 7/8", and vario connecting bend, vertical outlet from 6 1/4" - 7 7/8" 	14 5/8" x 25 5/8" Inch	78 lb	217009..92
<ul style="list-style-type: none"> 1.6/0.8 gpf, outlet for vario connector set, for horizontal and vertical outlet, length adjustable from 2 3/4" - 7 7/8", and vario connecting bend, vertical outlet from 6 1/4" - 7 7/8" 	14 5/8" x 25 5/8" Inch	78 lb	217009..92
Infobox			
* Complies with following standards: ASME A112.19.2/CSA B45.1 and ASME A112.19.14			
Sanitary ceramics with the special WonderGliss surface finish will remain clean and attractive-looking for a long time to come. When ordering WonderGliss please add a "1" as eleventh digit to the model number.			
Vario connecting bend for vertical outlet		1.5 lb	899025
Vario connector set incl. offset	Ø 4 3/8" Inch	3.3 lb	001422
Suitable products			

ME by Starck Toilet close-coupled # 217009..92 / 217009..92

|< 14 5/8" Inch >|

Tank for bottom left supply, with dual flush mechanism, Chrome, cUPC® listed*, 15 3/8" x 7 1/8" Inch	15 3/8" x 7 1/8" Inch	093810
Toilet seat and cover hinges stainless steel, without slow close,		002011
Toilet seat and cover removable, hinges stainless steel, with slow close,		002019

All drawings contain the necessary measurements which are subject to standard tolerances. They are stated in inch & mm and are non-binding. Exact measurements, in particular for customized installation scenarios, can only be taken from the finished ceramic piece.