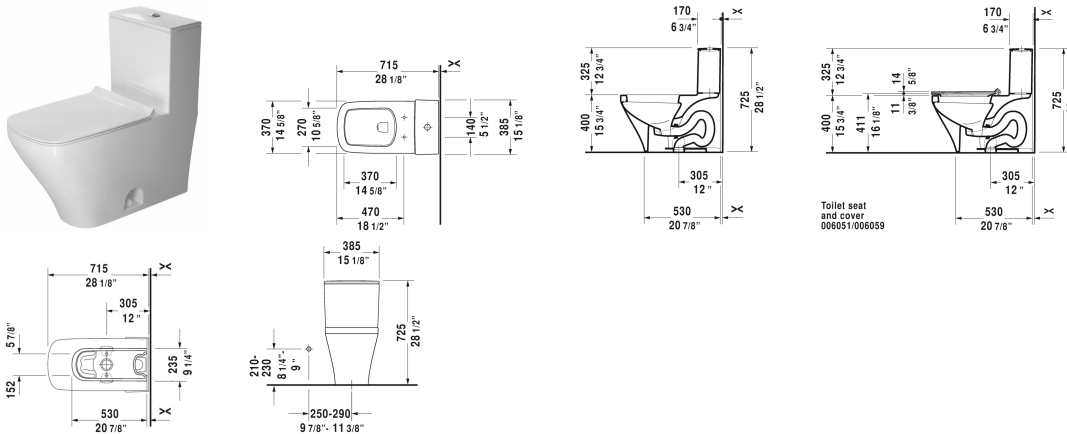


DuraStyle One-Piece toilet # 215701..05 / 215701..85 / 215701..05 / 215701..85

< 14 5/8" Inch >



| One-Piece toilet | Dimension | Weight | Order number |
|--|------------------------|----------|--------------|
| syphonic, 12" rough-in, vertical outlet, cUPC® listed* | | | |
| Colors | | | |
| 00 White 20 HygieneGlaze (an antibacterial ceramic glaze that provides almost indefinite effectiveness) | | | |
| Variant | | | |
| ◆ 1.32/0.92 gpf, with dual flush piston valve, top flush | 14 5/8" x 28 3/8" Inch | 121.3 lb | 215701..05 |
| ◆ 1.28 gpf, with single flush piston valve, top flush | 14 5/8" x 28 3/8" Inch | 121.3 lb | 215701..85 |
| ◆ 1.32/0.92 gpf, with dual flush piston valve, top flush | 14 5/8" x 28 3/8" Inch | 121.3 lb | 215701..05 |
| ◆ 1.28 gpf, with single flush piston valve, top flush | 14 5/8" x 28 3/8" Inch | 121.3 lb | 215701..85 |
| Sanitary ceramics with the special WonderGliss surface finish will remain clean and attractive-looking for a long time to come. When ordering WonderGliss please add a "1" as eleventh digit to the model number. | | | |
| Mounting set for One-Piece and Two-Piece toilets, outlet 3/8" - male thread, wall connection 1/2" - female thread, 1/2", North American version | 17 3/4" Inch | 1.1 lb | 001417 |
| Suitable products | | | |
| Toilet seat and cover removable, elongated, hinges stainless steel, without slow close, | | | 006051 |
| Toilet seat and cover removable, elongated, hinges stainless steel, with slow close, | | | 006059 |

All drawings contain the necessary measurements which are subject to standard tolerances. They are stated in inch & mm and are non-binding. Exact measurements, in particular for customized installation scenarios, can only be taken from the finished ceramic piece.

**DuraStyle One-Piece toilet # 215701..05 / 215701..85 /
215701..05 / 215701..85**

|< 14 5/8" Inch >|