

Features

- Allows handshower to be raised or lowered to desired height for a customized showering experience.
- For use with a handshower (sold separately).
- 2-11/16" (68 mm) x 2-1/2" (64 mm) x 24-3/4" (629 mm)

Material

- Durable metal construction.
- KOHLER finishes resist corrosion and tarnishing.

Installation

- Wall-mount.

Required Products/Accessories

- K-21335 2.5 gpm multifunction handshower with Katalyst®
- or
- K-21335-G 1.75 gpm multifunction handshower
- or
- K-21336 2.5 gpm multifunction handshower with Katalyst®
- or
- K-21336-G 1.75 gpm multifunction handshower

Recommended Products/Accessories

- K-23723 Faucet cleaner



ADA CSA B651 OBC

Codes/Standards



ASME A112.18.1/CSA B125.1
ADA
ICC/ANSI A117.1
CSA B651
OBC

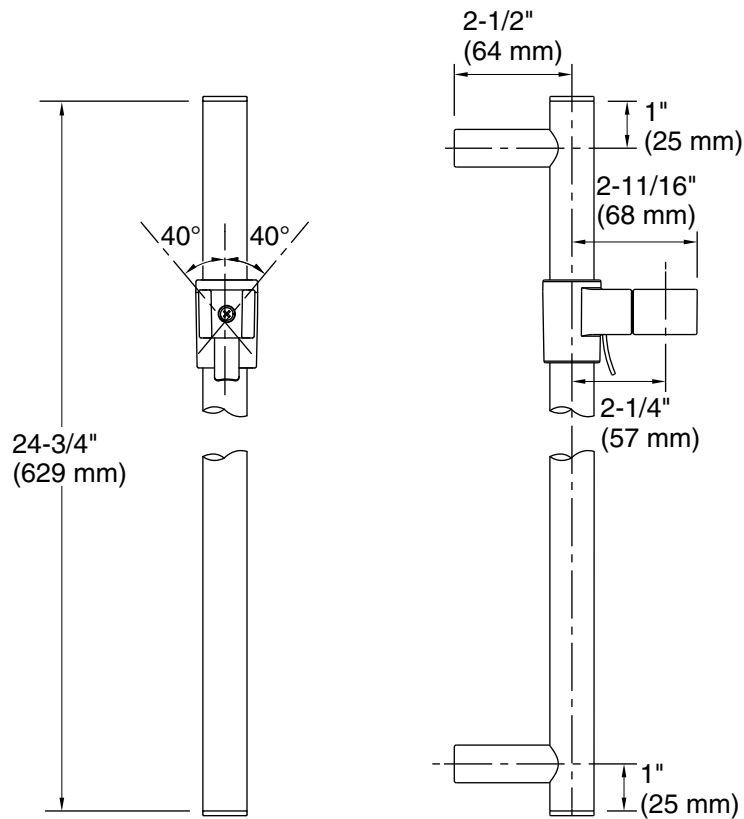
KOHLER® Faucet Lifetime Limited Warranty

See website for detailed warranty information.

Available Colors/Finishes

Color tiles intended for reference only.

Color	Code	Description
	CP	Polished Chrome
	BN	Vibrant® Brushed Nickel



Technical Information

All product dimensions are nominal.

Notes

Install this product according to the installation guide.

ADA, OBC, CSA B651 compliant when installed to the specific requirements of these regulations.