

### Features

- Column lets you customize your shower with a rain showerhead and handshower.
- For use in bath and shower installations with beam shower arm for reduced ceiling height.
- Slidebar bracket allows you to adjust height and angle of handshower.
- Diverter at the base of the column makes for easy toggling between handshower and rain showerhead.
- Rainhead and handshower sold separately to allow for customized decor.
- Includes column, bracket, slidebar and diverter.

### Material

- Premium metal construction for durability and reliability.
- KOHLER finishes resist corrosion and tarnishing.

### Installation

- Wall-mount.
- Installs in less than 60 minutes without changes to in-wall plumbing (subject to condition of existing installation).

### Adapters, Rough-in and Extension Kits

1194630 Range: 2-7/8" (73 mm) - 4" (102 mm)

### Recommended Products/Accessories

- K-13688 8" rainhead with Katalyst® air-induction technology, 2.5 gpm
- K-13689 10" rainhead with Katalyst® air-induction technology, 2.5 gpm
- K-13692 8" rainhead with Katalyst® air-induction technology, 2.5 gpm
- K-13695 8" rainhead with Katalyst® air-induction technology, 2.5 gpm
- K-23723 Faucet cleaner

### Optional Products/Accessories

- K-8593 72" Shower Hose
- K-9514 60" Shower Hose
- K-45981 72" ribbon hose
- K-45982 60" ribbon hose
- 1194630 1/2" NPT Deep Rough-in Kit
- 1187917 1/2" NPT Shallow Rough-in Kit
- 1194302 Large Escutcheon/Mounting Collar Kit

### Included Components

- Additional Components:
- Column/slidebar
  - Diverter
  - Handshower bracket



ADA CSA B651 OBC

### Codes/Standards

ADA  
ICC/ANSI A117.1  
CSA B651  
OBC

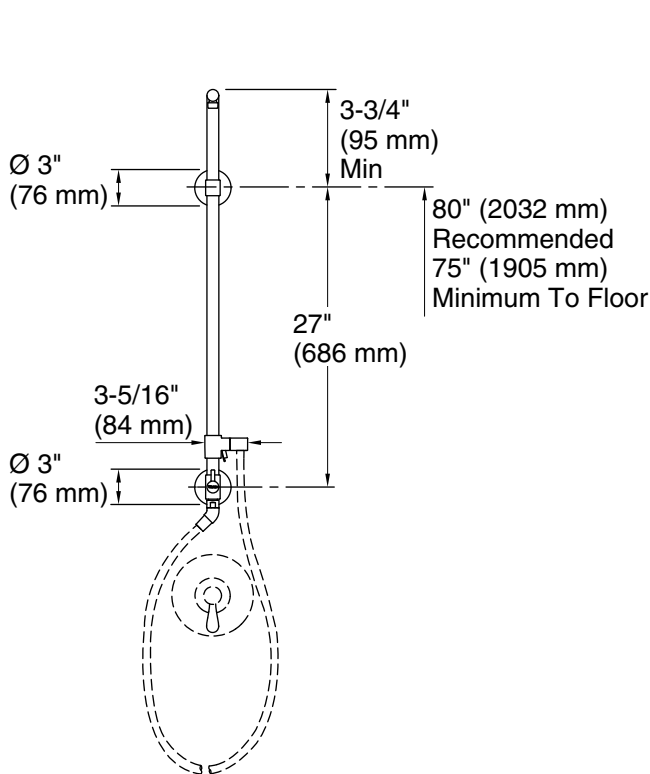
### KOHLER® Faucet Lifetime Limited Warranty

See website for detailed warranty information.

### Available Colors/Finishes

*Color tiles intended for reference only.*

| Color | Code | Description                    |
|-------|------|--------------------------------|
|       | CP   | Polished Chrome                |
|       | SN   | Vibrant® Polished Nickel       |
|       | BN   | Vibrant® Brushed Nickel        |
|       | BV   | Vibrant® Brushed Bronze        |
|       | 2BZ  | Oil-Rubbed Bronze              |
|       | BL   | Matte Black                    |
|       | 2MB  | Vibrant® Brushed Moderne Brass |
|       | TT   | Vibrant Titanium               |

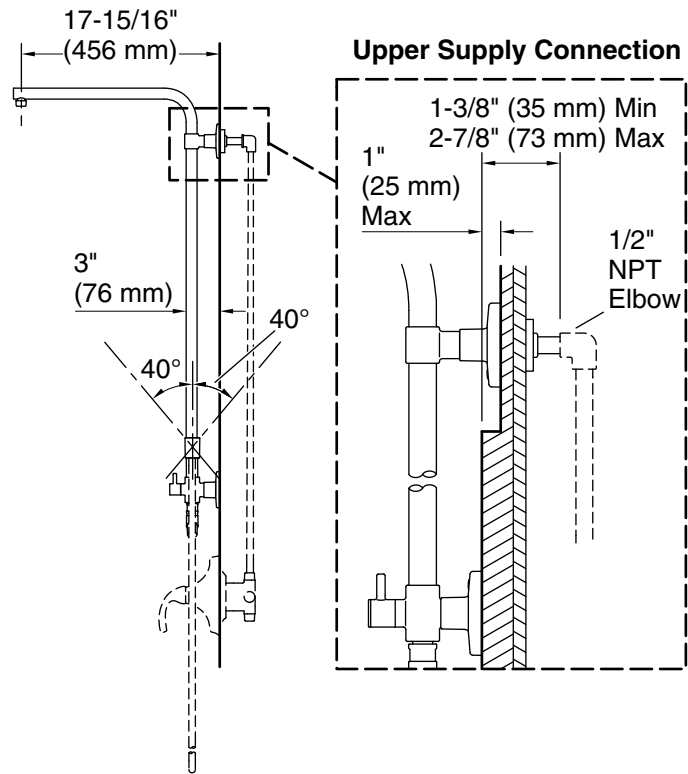


**NOTE:** Valve trim and hose illustrated for dimensioning only, not included in the product.

### Technical Information

All product dimensions are nominal.

Drain included: No



### Notes

Install this product according to the installation guide.

Order deep roughing-in kit if the distance from the elbow to the finished wall surface is between 2-7/8" (73 mm) to 4" (102 mm).

Order shallow roughing-in kit if the distance from the elbow to the finished wall surface is less than 1-3/8" (35 mm).

A 3" (76 mm) escutcheon/mounting collar is supplied to fit a 1" (25 mm) to 1-1/4" (32 mm) supply connection hole diameter. Order large escutcheon/mounting collar kit if the supply connection hole diameter is between 1-1/4" (32 mm) to 2-1/4" (57 mm).

ADA, OBC, CSA B651 compliant when installed to the specific requirements of these regulations.