

### Features

- Gently curved basin.
- Two side ledges.
- Overflow drain.
- No faucet holes; requires wall- or counter-mount faucet.

### Material

- KOHLER® enameled cast iron.

### Installation

- Undermount.

### Recommended Products/Accessories

K-8998 P-Trap  
K-23726 Drain treatment  
K-23725 Cast iron cleaner

### Included Components

Additional Components:  
1193643 Basin clamps



ADA CSA B651

### Codes/Standards








ASME A112.19.1/CSA B45.2  
ADA  
ICC/ANSI A117.1  
CSA B651

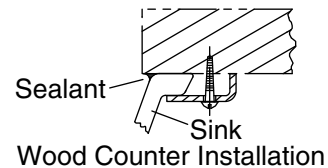
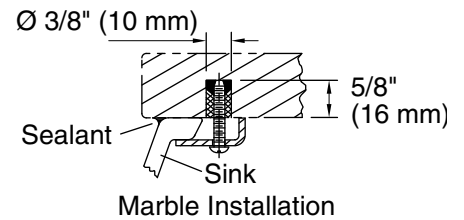
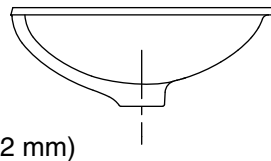
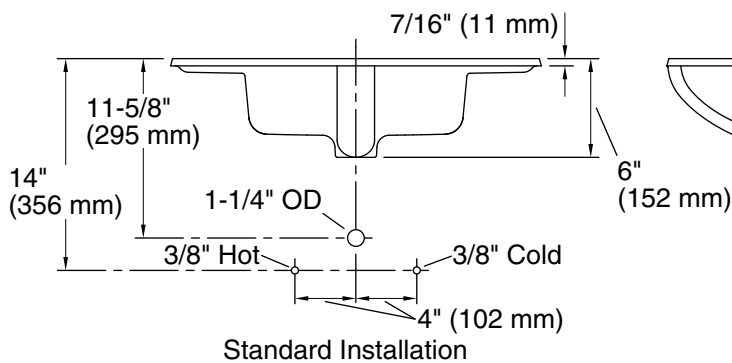
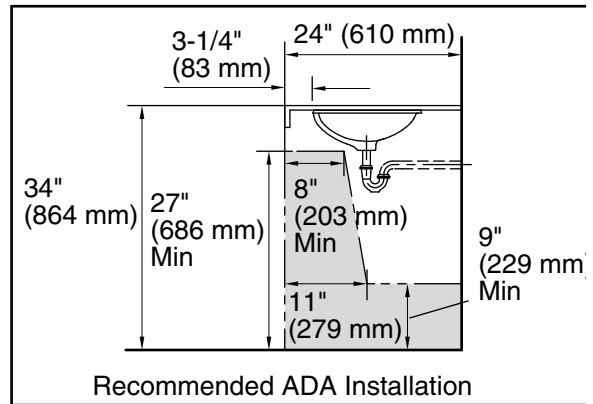
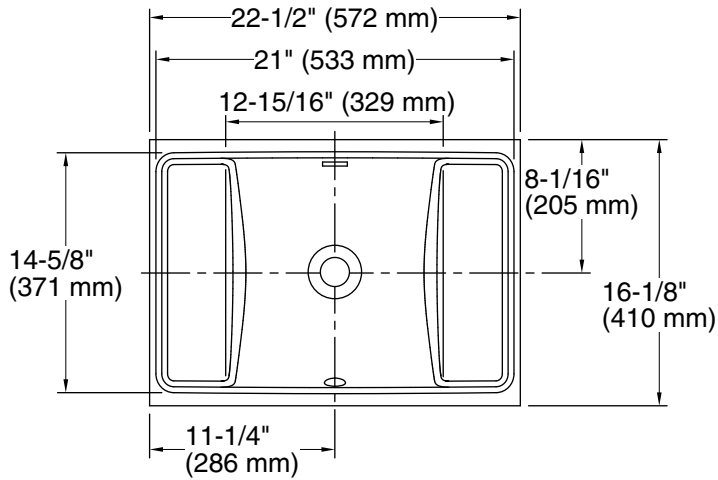
### Lifetime Limited Warranty for KOHLER® Cast Iron Components

See website for detailed warranty information.

### Available Colors/Finishes

*Color tiles intended for reference only.*

Color	Code	Description
	0	White
	FF	Sea Salt™
	96	Biscuit
	KC	Vapour™ Blue
	KG	Vapour™ Green
	FT	Basalt
	KA	Black 'n Tan



### Technical Information

All product dimensions are nominal.

- Bowl configuration: Single
- Installation: Under-mount
- Bowl area (Only): Length: 12-15/16" (329 mm)  
Width: 14-5/8" (371 mm)  
Water depth: 3-1/4" (83 mm)
- Drain hole: 1-11/16" (43 mm)
- Template: 1070407-7, required, included

### Notes

Install this product according to the installation instructions.

ADA, CSA B651 compliant when installed to the specific requirements of these regulations.