

Features

- One-piece, self-contained ceramic disc valve allows both volume and temperature control.
- Metal grid drain with metal tailpiece.
- 0.5 gpm (1.9 lpm) maximum flow rate at 80 psi (5.5 bar).

Material

- Brass.

Installation

- For single-hole installation.
- 4-3/8" (111 mm) spout reach.
- Stationary spout.
- Flexible connections.

Recommended Products/Accessories

- K-23726 Drain treatment
- K-23723 Faucet cleaner



ADA

CSA B651

OBC

Codes/Standards

ASME A112.18.1/CSA B125.1
NSF/ANSI 61
NSF/ANSI 372
All applicable US Federal and State material regulations
DOE - Energy Policy Act 1992
California Energy Commission (CEC)
ADA
ICC/ANSI A117.1
CSA B651
OBC

KOHLER® Faucet Lifetime Limited Warranty

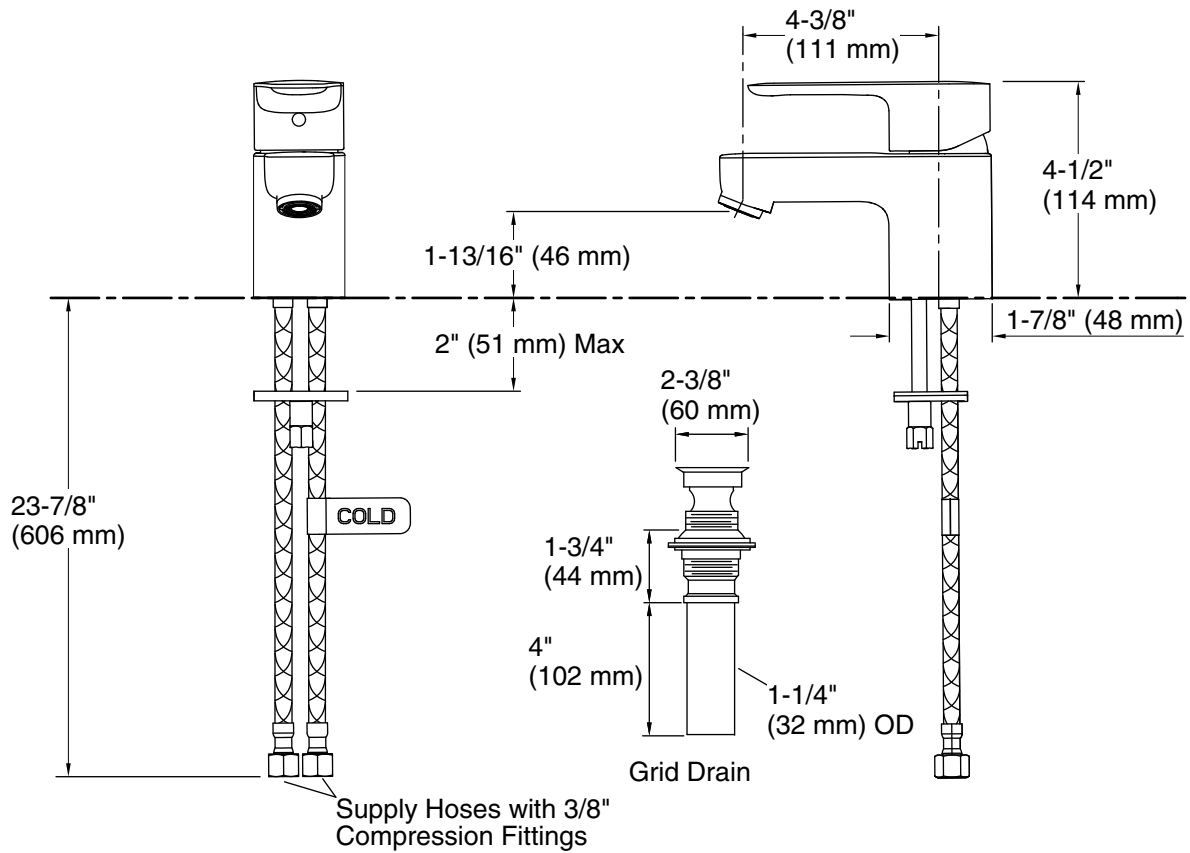
See website for detailed warranty information.

Available Colors/Finishes

Color tiles intended for reference only.

Color Code Description

■ CP Polished Chrome



Technical Information

All product dimensions are nominal.

Faucet:

Flow rate: 0.5 gal/min (1.9 l/min)
Pressure: 80 psi (5.5 bar)
Drain included: Yes
Drain with overflow: Yes

Spout:

Spout reach: 4-3/8" (111 mm)

Notes

Install this product according to the installation guide.

ADA compliant for handles only.

ADA, OBC, CSA B651 compliant when installed to the specific requirements of these regulations.