

Features

- 9" (229 mm) spout reach.
- 3" (76 mm) high nondiverter spout.
- Variety of handle style options (sold separately).
- Nondiverter spout.
- 15 gpm (gallons per minute) bath faucet flow rate.
- KOHLER ceramic disc valves exceed industry longevity standards for a lifetime of durable performance.
- Coordinates with other products in the Artifacts collection.
- Handle trim sold separately.

Material

- Brass.
- KOHLER finishes resist corrosion and tarnishing.

Installation

- Finished deck-mount installation only.

Required Products/Accessories

K-T98071-3M Deck-mount Bath Faucet Trim

or

K-T98071-4 Deck-mount Bath Faucet Trim

or

K-T98071-9M Bath- or Deck-Mount Handles

Recommended Products/Accessories

K-23723 Faucet cleaner

Included Components

Additional Components:

1354692 1/2" recessed deck-mount bath valve kit



Codes/Standards

ASME A112.18.1/CSA B125.1

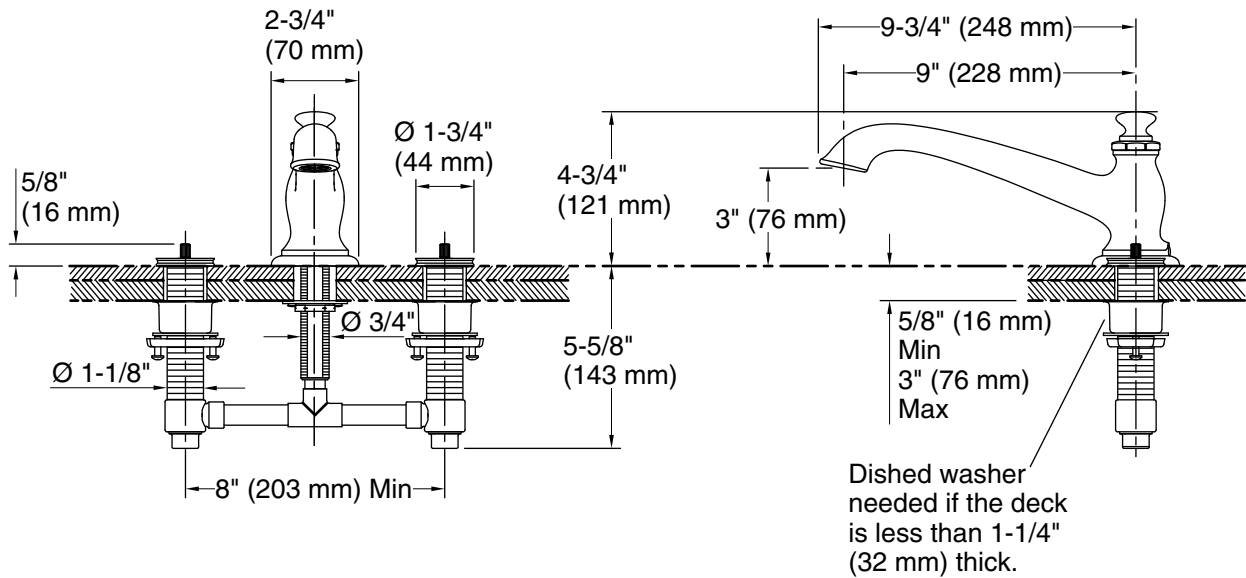
KOHLER® Faucet Lifetime Limited Warranty

See website for detailed warranty information.

Available Colors/Finishes

Color tiles intended for reference only.

| Color | Code | Description |
|---|------|--------------------------------|
|  | CP | Polished Chrome |
|  | SN | Vibrant® Polished Nickel |
|  | BN | Vibrant® Brushed Nickel |
|  | BV | Vibrant® Brushed Bronze |
|  | 2BZ | Oil-Rubbed Bronze |
|  | 2MB | Vibrant® Brushed Moderne Brass |
|  | VNT | Vintage Nickel |



Technical Information

All product dimensions are nominal.

Drain included: No

Spout:

Spout reach: 9" (229 mm)

Notes

IMPORTANT! Artifacts deck-mount handles are only compatible with the valve included with the Artifacts deck-mount faucets. Do not install to a K-300 bath valve.

IMPORTANT! For K-T98071-9M models, the handle swings up and toward the user. Ensure that the handle will not interfere with the bath fixture during operation.

Install this product according to the installation guide.

For a finished bath deck/rim less than 5/8" (16 mm) thick: Install wood reinforcing material to the underside of the deck/rim. The combined thickness of the reinforcing material and the deck/rim must not exceed 3" (76 mm).