

#### Features

- Professional-style faucet with an easy-to-clean coated hose and removable coil.
- Three-function pull-down sprayhead with touch control allows you to switch between aerated stream, Sweep® spray, and Boost technology.
- Sweep® spray creates a wide, forceful blade of water for superior cleaning.
- Boost technology increases the flow rate by 30% with the press of a button.
- DockNetik® magnetic docking system securely locks the sprayhead into place when not in use.
- MasterClean™ sprayface features an easy-to-clean surface that withstands mineral buildup.
- Single lever handle is simple to use and makes adjusting water temperature easy.
- Temperature memory allows faucet to be turned on and off at the temperature set during prior usage.
- KOHLER ceramic disc valves exceed industry longevity standards for a lifetime of durable performance.
- 1.5 gpm (5.7 lpm) maximum flow rate at 60 psi (4.14 bar).

#### Material

- Premium metal construction for durability and reliability.
- KOHLER finishes resist corrosion and tarnishing.

#### Installation

- Single-hole or three-hole installation (escutcheon plate included).
- Flexible supply lines simplify installation.

#### Adapters, Rough-in and Extension Kits

1327990                                      Range: 2-1/2" (64 mm) -  
4-5/8" (117 mm)

#### Recommended Products/Accessories

K-23723 Faucet cleaner



**ADA**    **CSA B651**

#### Codes/Standards


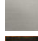

ASME A112.18.1/CSA B125.1  
NSF/ANSI 61  
NSF/ANSI 372  
All applicable US Federal and State material regulations  
DOE - Energy Policy Act 1992  
California Energy Commission (CEC)  
ADA  
ICC/ANSI A117.1  
CSA B651

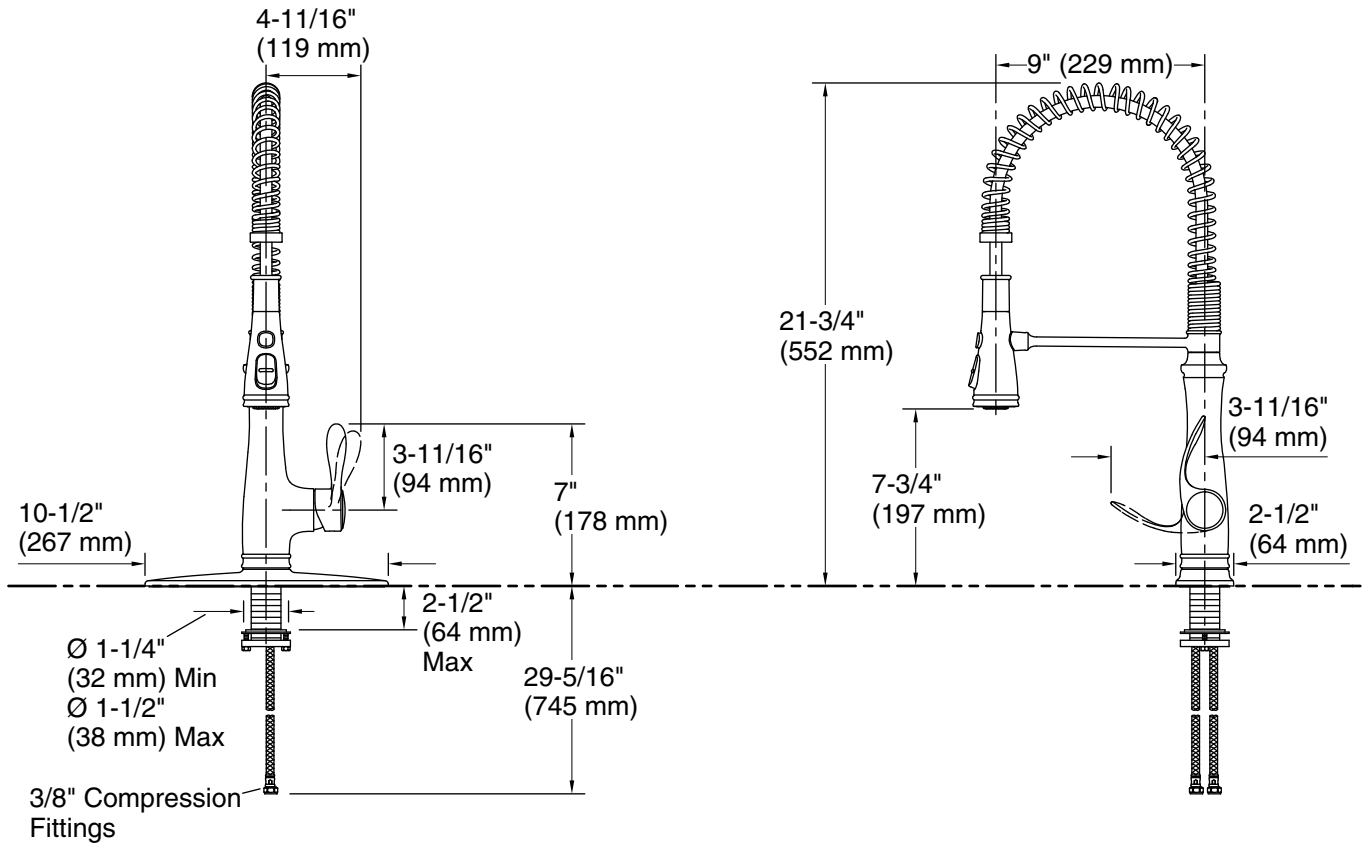
#### KOHLER® Faucet Lifetime Limited Warranty

See website for detailed warranty information.

#### Available Colors/Finishes

*Color tiles intended for reference only.*

Color	Code	Description
	CP	Polished Chrome
	VS	Vibrant® Stainless
	2BZ	Oil-Rubbed Bronze



**Technical Information**

All product dimensions are nominal.

Drain included: No

**Notes**

Install this product according to the installation instructions.

ADA complaint for faucet handles only.

ADA, CSA B651 compliant when installed to the specific requirements of these regulations.