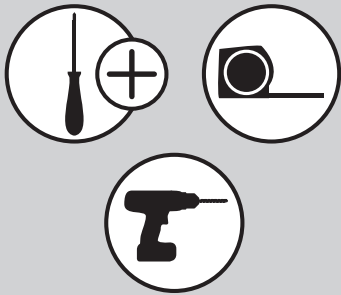


INSTALLATION INSTRUCTIONS

CPDR SERIES PULL-DOWN CLOSET ROD

TOOLS REQUIRED:



ESTIMATED ASSEMBLY TIME:


20 MIN

CARE AND MAINTENANCE:

Clean with a damp cloth and wipe parts dry.

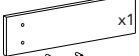


Parts List:

FLAT HEAD SCREW
 x24


M3.5 SCREW
 x2

ALLEN WRENCH
 x1

1 GUIDE BLOCK WITH DOWELS
 x1


PULL-DOWN ARM ASSEMBLY
 x2

TELESCOPING HANDLE
 x1

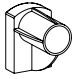
M8 HEX BOLT
 x2

O RINGS
 x5

BUMPER
 x2
 (12" DEPTH ONLY)

HEAVY DUTY BUMPER W/ SCREWS
 x2

TELESCOPING HANGING ROD


ENDCAP PLASTIC BRACKET
 x2

PLASTIC HANDLE ENDCAP
 x1

STEP 1

Measure at least 34³/₄" (882.7mm) from the top of your closet panel. By using the guide block and dowels, this will provide a platform to ensure both arms are even on both sides.



34³/₄"
(882.7mm)
MINIMUM

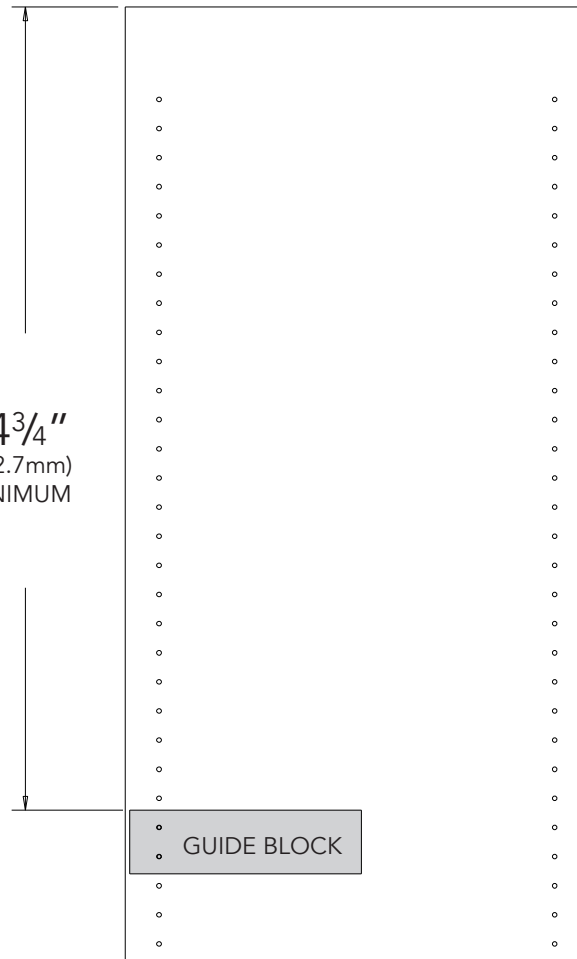


FIGURE 1

STEP 2

If you are installing into a 12" or 14" depth closet you will install the pull-down arm assembly to the front edge of the closet panel as shown. (See Fig 2.1)

For all other closet depths (16" and 20") you will install at least 14" from the rear of the closet. (See Fig 2.2)



FIGURE 2.1

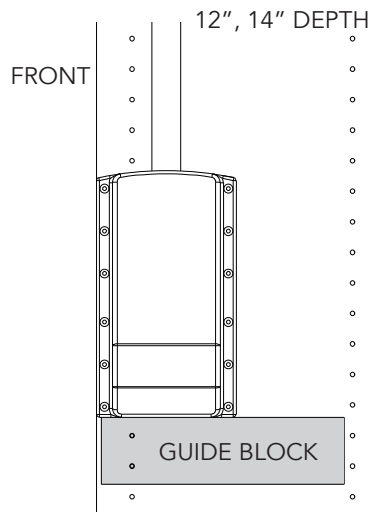
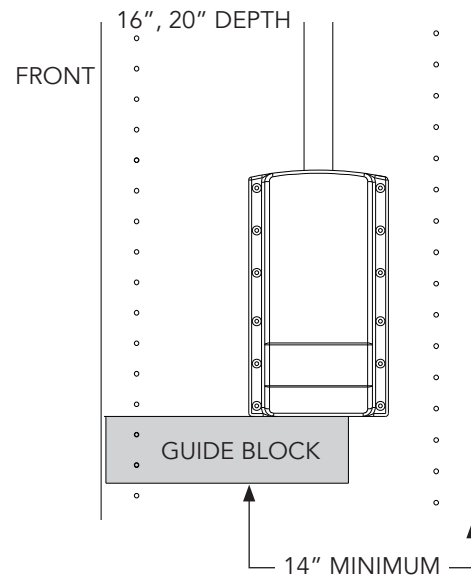
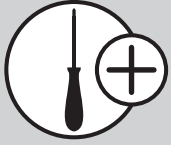


FIGURE 2.2



STEP 3

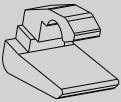
Using the provided wood screws, install all of them except the last three screws in front. (See Fig 3)



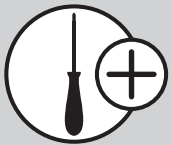
STEP 4

Install the heavy duty stop using the provided screws. (See Fig 4)

NOTE: This unit comes with two standard bumpers that are not used in this installation.



Standard Bumper



STEP 5

Repeat Step 4 for the other side.

NOTE: It is very important that both pull-down assemblies are lined up correctly with each other to ensure proper function.

FIGURE 3

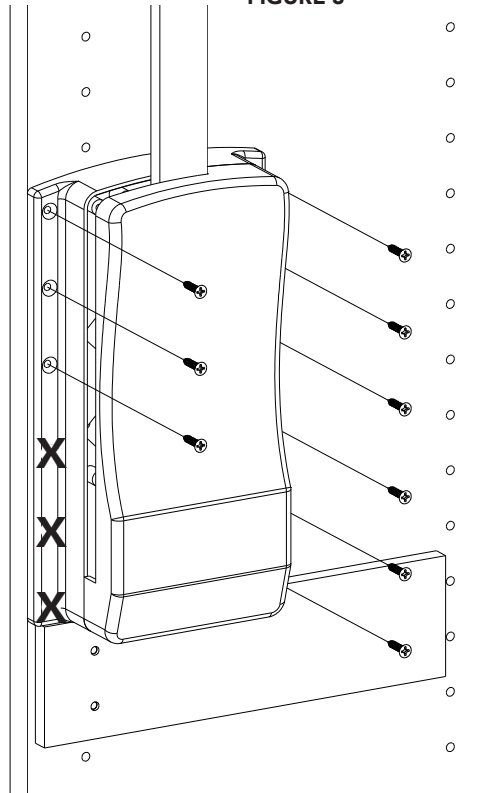
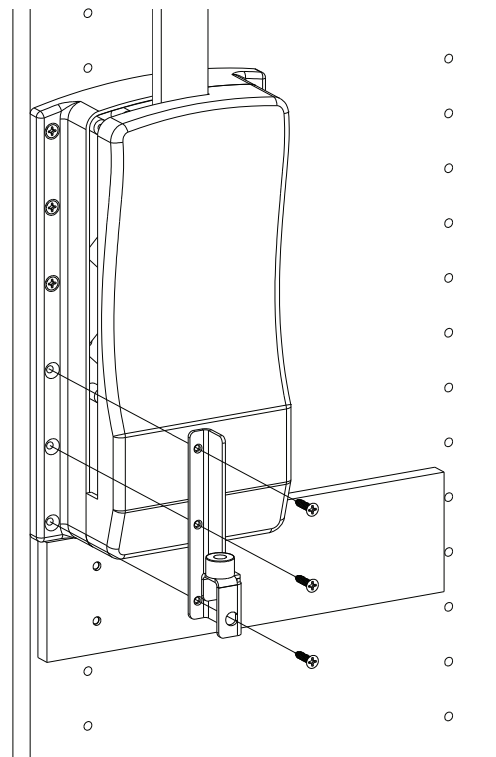


FIGURE 4



STEP 6

Attach the pull-down rod to the hanging rod and the plastic handle to the pull-down rod using M3.5 screws. (See Figure 6)

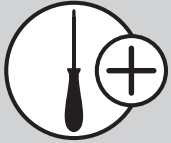
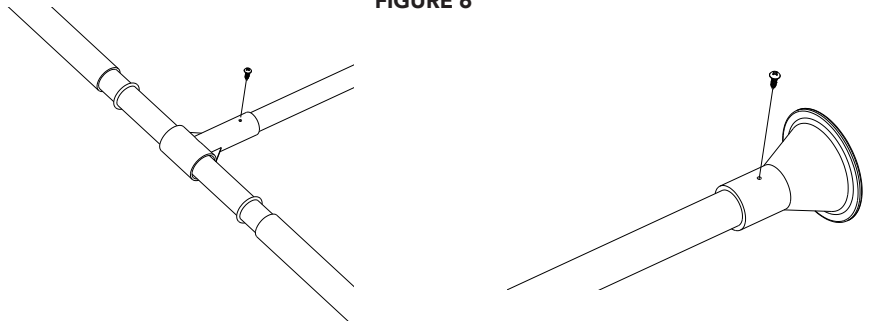


FIGURE 6



STEP 7

Pull down the left and right arms to attach the hanging rod assembly to the pull-down unit. Using the 2 provided M8 hex bolts and allen wrench, attach the plastic endcap to the end of each arm (See Fig 7.1).

NOTE: the hanging rod can be extended by twisting to unlock and twisting back to lock into place. (See Fig 7.2)

FIGURE 7

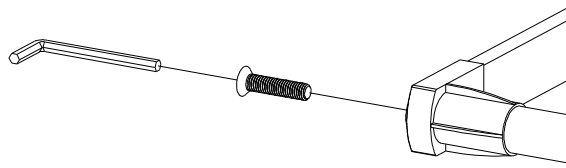
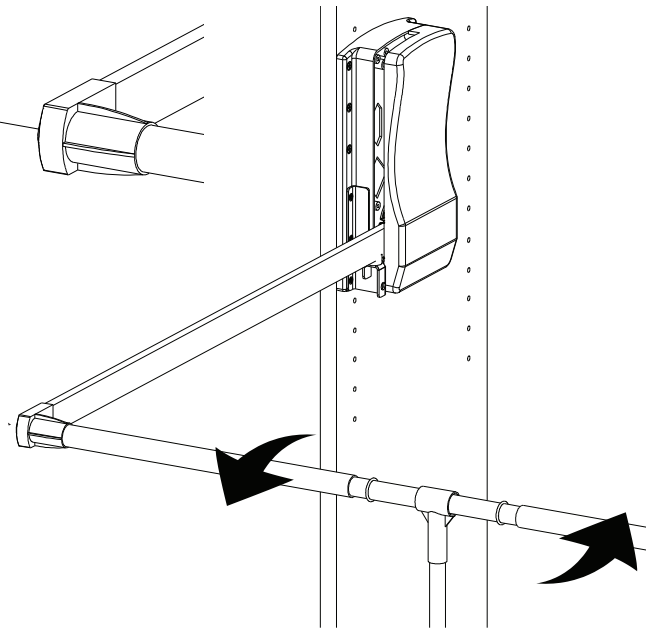


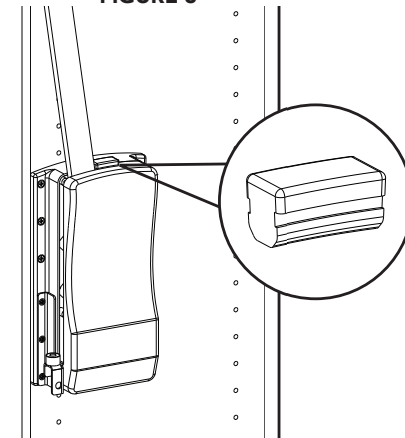
FIGURE 7.2



STEP 8

For 12" depth closet systems, it is recommended but not necessary to install the 2 provided bumpers (See Figure 8).

FIGURE 8



12400 Earl Jones Way
Louisville, KY 40299
rev-a-shelf.com
Customer Service: 800-626-1126