



**Mariposa®**  
60" x 36" alcove bath  
**K-1242-LA**

**Features**

- 60"L x 36"W x 20"H.
- A builder favorite designed for quick and easy installation.
- Includes integral apron and flange to simplify installation.
- Textured bottom surface.

**Material**

- Acrylic.

**Installation**

- Alcove.

**Recommended Products/Accessories**

- K-7161-AF 1-1/2" adjustable pop-up drain above- or through-floor
- K-37380 30" Rough-in Cable Bath Drain
- K-37383 Rough-in cable bath drain, PVC, 30" cable with tubing
- K-37386 rough-in cable drain, PVC, 30" cable
- K-23726 Drain treatment
- K-23732 Tub & shower cleaner



**Codes/Standards**





- CSA B45.5/IAPMO Z124
- ASTM E162
- ASTM E662

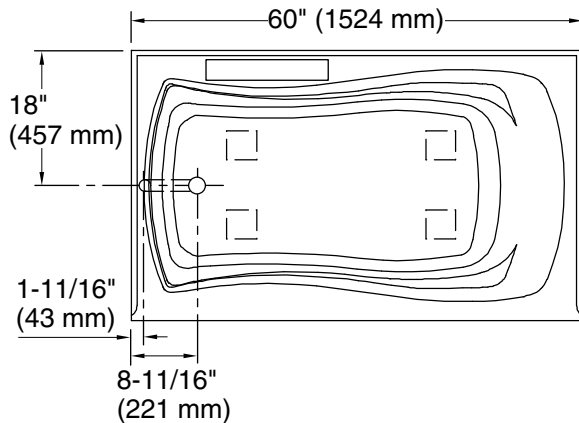
**KOHLER® Plastic Baths and Receptors Lifetime Limited Warranty**

See website for detailed warranty information.

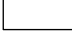
**Available Colors/Finishes**

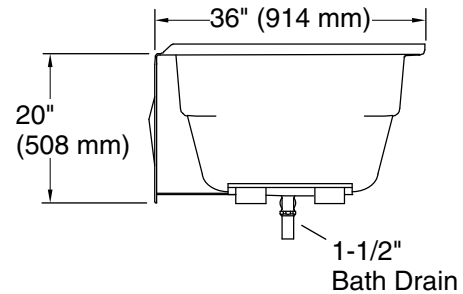
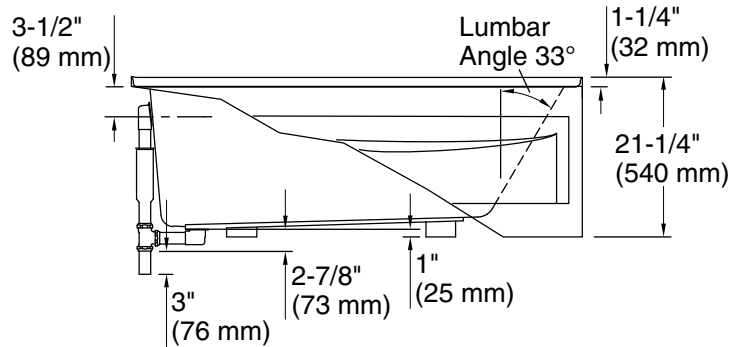
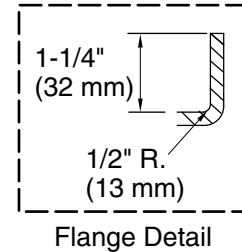
*Color tiles intended for reference only.*

Color	Code	Description
	0	White
	96	Biscuit
	NY	Dune
	G9	Sandbar



No changes in measurements if connected with drain illustrated. (K-7161-AF)

 Recommended Faucet Location



### Technical Information

All product dimensions are nominal.

Installation:	Three-wall alcove
Drain location:	Left
Basin area, bottom:	46" x 24" (1168 mm x 610 mm)
Basin area, top:	54" x 27" (1372 mm x 686 mm)
Weight:	62 lbs (28.1 kg)
Minimum floor load:	41 lbs/ft <sup>2</sup> (200.2 kg/m <sup>2</sup> )
Water depth:	14" (356 mm)
Water capacity:	63 gal (238.5 L)
Minimum flat for door:	2" (50 mm)

### Notes

Measure your actual product for rough-in details.

Install this product according to the installation instructions.

The hot water supply should be 70% of the capacity of the bath or greater. Installations will vary.

If installing a rim-mount faucet, make sure there is no interference above or below the deck before drilling any holes.