

### Features

- Oval basin creates a spacious bathing experience.
- Spacious design accommodates up to two bathers.
- Integral lumbar support and armrests offer extra comfort while bathing.
- Integral apron.
- Integral flange helps prevent water from seeping behind wall and simplifies alcove installation.

### Material

- Acrylic.

### Installation

- Right drain.
- Alcove.

### Recommended Products/Accessories

- K-7166-AF Bath Drain
- K-11677 Bath Drain
- K-23726 Drain treatment
- K-23732 Tub & shower cleaner



### Codes/Standards




CSA B45.5/IAPMO Z124  
ASTM E162  
ASTM E662

### KOHLER® Plastic Baths and Receptors Lifetime Limited Warranty

See website for detailed warranty information.

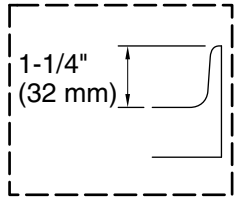
### Available Colors/Finishes

*Color tiles intended for reference only.*

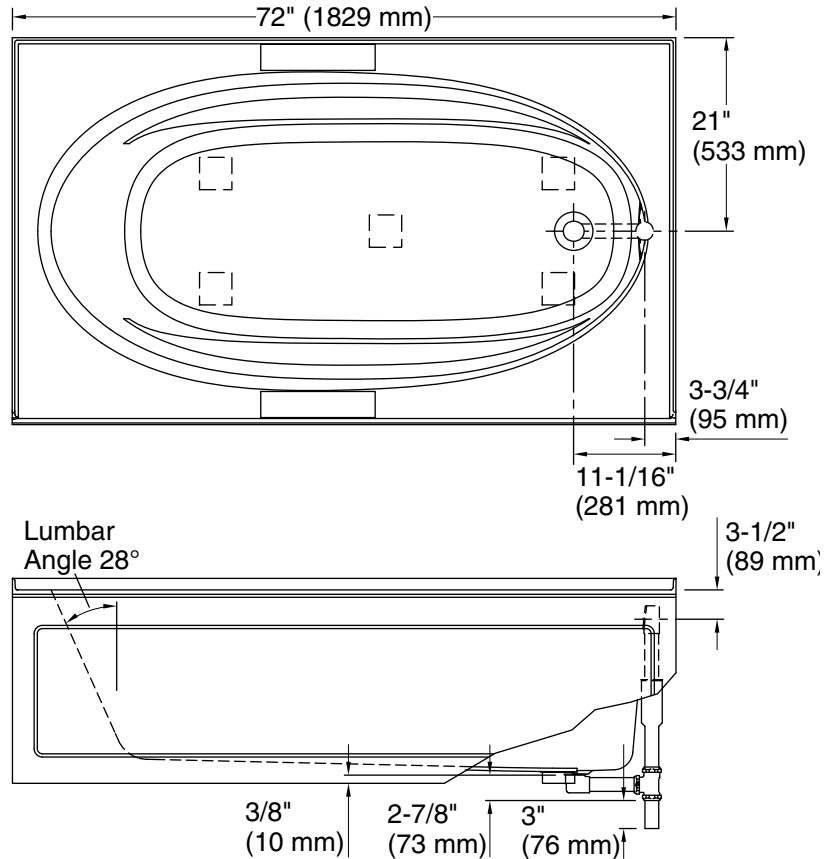
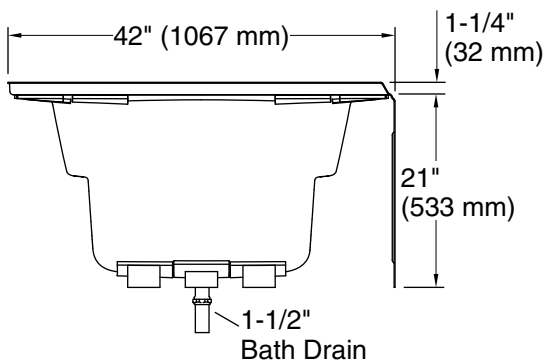
Color	Code	Description
	0	White
	96	Biscuit
	47	Almond

No change in measurements if connected with drain illustrated. (K-11677)

 Recommended Faucet Location



Tile Flange Detail



### Technical Information

All product dimensions are nominal.

Installation:	Three-wall alcove
Drain location:	Right
Basin area, bottom:	55" x 23-1/4" (1397 mm x 591 mm)
Basin area, top:	64" x 32" (1626 mm x 813 mm)
Weight:	100 lbs (45.4 kg)
Minimum floor load:	37 lbs/ft <sup>2</sup> (180.6 kg/m <sup>2</sup> )
Water depth:	15" (381 mm)
Water capacity:	78.5 gal (297.2 L)
Minimum flat for door:	3-1/16" (78 mm)

### Notes

Measure your actual product for rough-in details.

Install this product according to the installation instructions.

The hot water supply should be 70% of the capacity of the bath or greater. Installations will vary.

If installing a rim-mount faucet, make sure there is no interference above or below the deck before drilling any holes.