

Features

- Fits minimum 30" (762 mm) apron sink base cabinet.
- Single medium bowl.
- 9" (229 mm) depth provides generous workspace.
- Self-Trimming® apron overlaps cabinet face for easy installation and beautiful results.
- Rear drain increases workspace in the sink and storage space underneath.
- Includes installation hardware and cutout templates.
- Includes bottom sink rack.
- Rounded 10mm corners are easy to clean.

Material

- Handcrafted from 16-gauge stainless steel.
- Premium 16-gauge stainless steel.

Installation

- Undermount.

Recommended Products/Accessories

- K-8801 Sink drain and strainer with tailpiece
- K-8799 Sink drain and strainer basket
- K-23726 Drain treatment
- K-23729 Stainless steel cleaner

Optional Products/Accessories

- K-11352 Disposal Flange with Stopper

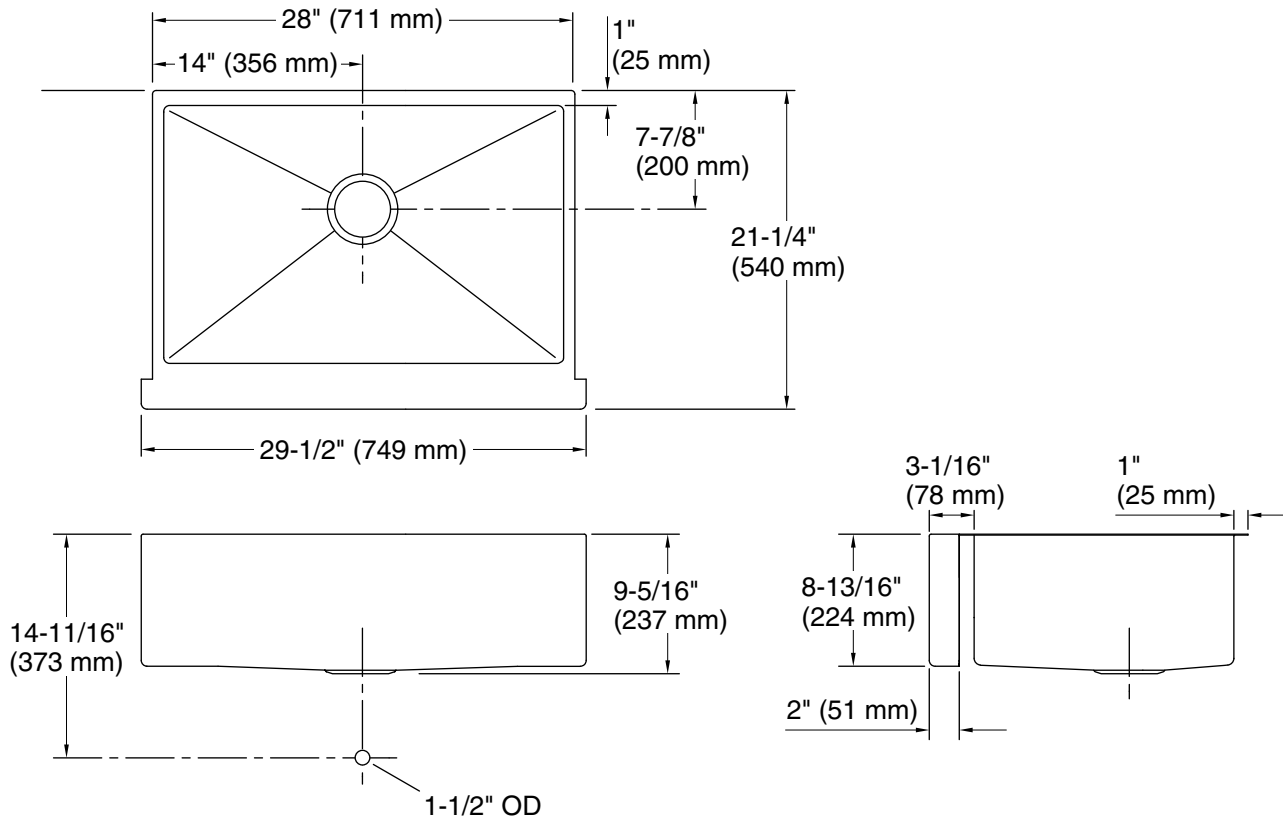


Codes/Standards

ASME A112.19.3/CSA B45.4

Lifetime Limited Warranty for KOHLER® Stainless Steel Sinks

See website for detailed warranty information.



Technical Information

All product dimensions are nominal.

Bowl configuration: Single

Installation: Under-mount

Min. base cabinet width: 30" (762 mm)

Bowl area (Center): Length: 26-1/2" (673 mm)
Width: 17-3/16" (437 mm)
Bowl depth: 9" (229 mm)
Water depth: 9" (229 mm)

Template: 1224139-7, required, included

Notes

Install this product according to the installation instructions.

The 3/4" (19 mm) side rim flanges are supported without using the clip attachment. See the installation guide for further instructions.