

### Features

- 36" minimum base cabinet width.
- Large/medium bowls.
- 9" (229 mm) depth provides generous workspace.
- Short apron allows sink to be used in most standard cabinetry or retrofitted to existing standard cabinetry.
- Self-Trimming® apron overlaps cabinet face for easy installation and beautiful results.
- Smart Divide® feature offers a lower bowl divider that increases workspace versatility.
- Rear drain increases workspace in the sink and storage space underneath.
- Includes installation hardware and bottom sink rack.

### Material

- Handcrafted from 18-gauge stainless steel.
- Premium 18-gauge stainless steel.

### Installation

- Undermount.

### Recommended Products/Accessories

- K-6476 Sink Rack
- K-6477 Sink Rack
- K-8801 Sink drain and strainer with tailpiece
- K-8799 Sink drain and strainer basket
- K-23726 Drain treatment
- K-23729 Stainless steel cleaner

### Optional Products/Accessories

- K-6434 Saddle Utility Rack
- K-11352 Disposal Flange with Stopper

### Included Components

Product consists of:

- 91915 Hardware Kit
- K-6476 Sink Rack

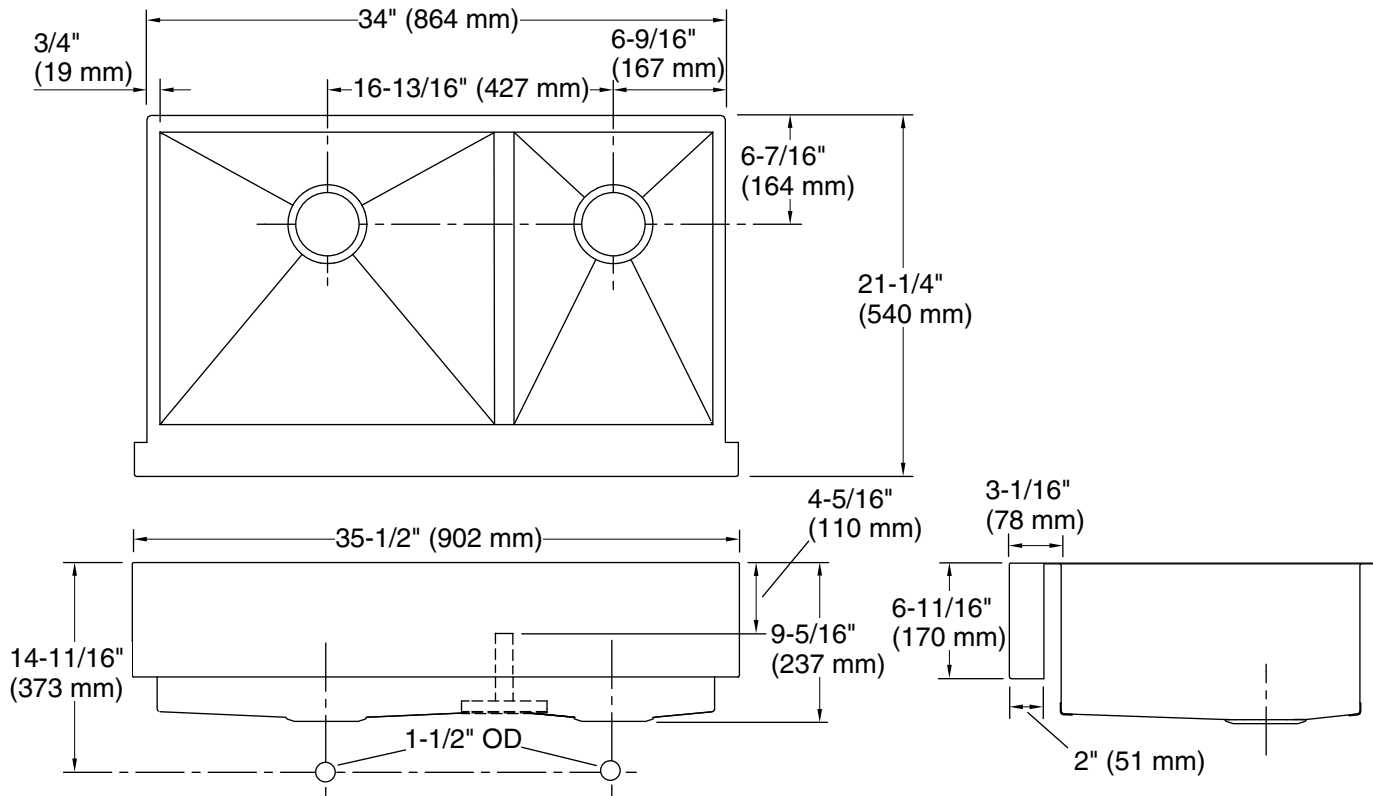


### Codes/Standards

ASME A112.19.3/CSA B45.4

### Lifetime Limited Warranty for KOHLER® Stainless Steel Sinks

See website for detailed warranty information.



### Technical Information

All product dimensions are nominal.

Bowl configuration: Off-set Large/small

Installation: Under-mount

Min. base cabinet width: 36" (914 mm)

Bowl area (Left): Length: 19-11/16" (500 mm)  
Width: 17-3/16" (437 mm)  
Bowl depth: 9" (229 mm)

Bowl area (Right): Length: 11-11/16" (297 mm)  
Width: 17-3/16" (437 mm)  
Bowl depth: 9" (229 mm)

Drain hole: 3-11/16" (94 mm)

Template: 1166719-7, required, included

### Notes

Install this product according to the installation instructions.

The 3/4" (19 mm) side rim flanges are supported without using the clip attachment. See the installation guide for further instructions.