



**Staccato™**  
Top-mount Kitchen Sink  
**K-3362-1**

**Features**

- 27" (686 mm) minimum base cabinet width.
- Single bowl.
- 8" (203 mm) depth.
- Single faucet hole.
- Includes installation hardware.

**Material**

- Premium 18-gauge stainless steel.

**Installation**

- Top-mount.

**Recommended Products/Accessories**

- K-8801 Sink drain and strainer with tailpiece
- K-8799 Sink drain and strainer basket
- K-23726 Drain treatment
- K-23729 Stainless steel cleaner

**Optional Products/Accessories**

- K-8803 Manual Sink Basket Strainer
- K-8804 Sink drain body with tailpiece
- K-8813 Stainless steel sink drain and strainer with tailpiece
- K-8814 Stainless steel sink drain and strainer
- K-11352 Disposal Flange with Stopper

**Included Components**

- Additional Components:  
Installation hardware

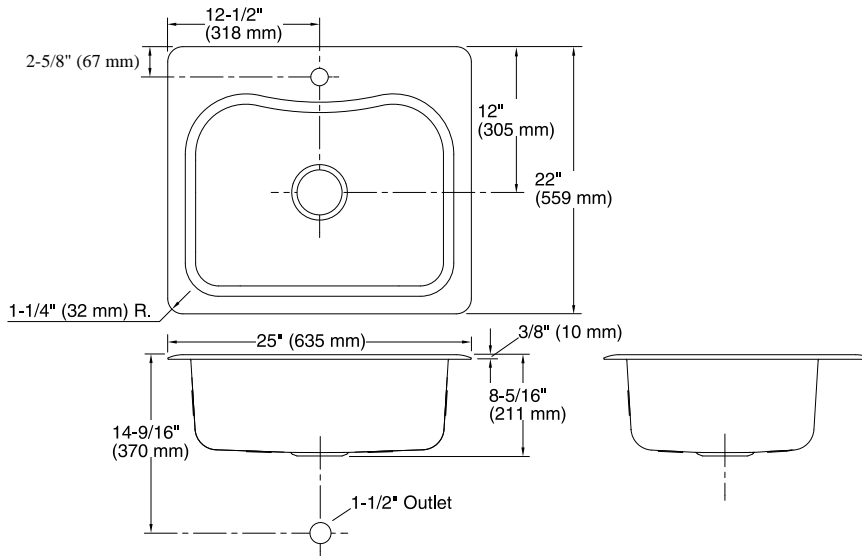


**Codes/Standards**

ASME A112.19.3/CSA B45.4

**Lifetime Limited Warranty for  
KOHLER® Stainless Steel Sinks**

See website for detailed warranty information.



### Technical Information

All product dimensions are nominal.

- Bowl configuration: Single
- Installation: Top-mount
- Cutout: Top-mount, 24-1/2" x 21-1/2" (622 mm x 546 mm) with 1" (25 mm) radius corners
- Min. base cabinet width: 27" (686 mm)
- Bowl area: Length: 21-1/8" (537 mm)  
 Width: 15-11/16" (398 mm)  
 Bowl depth: 8-5/16" (211 mm)  
 Water depth: 8" (203 mm)
- Number of deck holes: 1
- Faucet hole(s): 1-7/16" (37 mm)
- Drain hole: 3-5/8" (92 mm)

### Notes

Install this product according to the installation instructions.