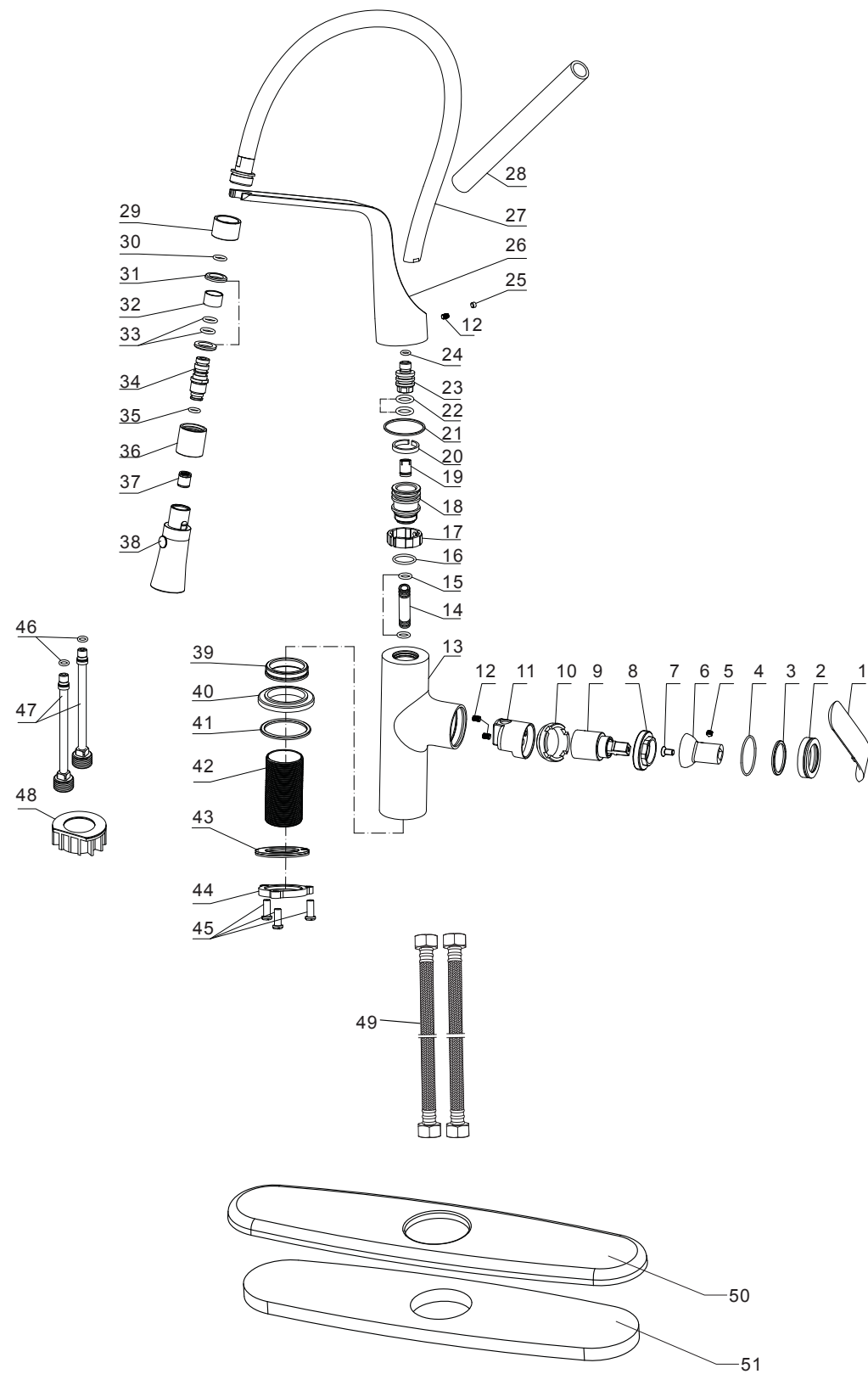
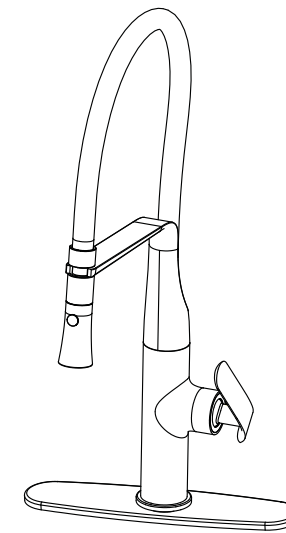


Step 4 Parts list



| NO. | PART NAME              |
|-----|------------------------|
| 1   | Handle                 |
| 2   | Face cover             |
| 3   | Anti-attribution ring  |
| 4   | O-ring                 |
| 5   | Screw                  |
| 6   | Handle cover           |
| 7   | Brazier head screw     |
| 8   | Cartridge lock nut     |
| 9   | Cartridge              |
| 10  | Cartridge fixing nut   |
| 11  | Cartridge seat         |
| 12  | Screw                  |
| 13  | Body                   |
| 14  | Connected hose         |
| 15  | O-ring                 |
| 16  | O-ring                 |
| 17  | O-ring                 |
| 18  | Connector              |
| 19  | Non-returnable valve   |
| 20  | Swing ring             |
| 21  | Anti-attribution ring  |
| 22  | O-ring                 |
| 23  | Connector              |
| 24  | O-ring                 |
| 25  | Index                  |
| 26  | Shower base            |
| 27  | Shower hose            |
| 28  | Silicone tube          |
| 29  | Connector              |
| 30  | O-ring                 |
| 31  | Anti-attribution ring  |
| 32  | Anti-attribution cover |
| 33  | O-ring                 |
| 34  | Connector              |
| 35  | O-ring                 |
| 36  | Shower cover           |
| 37  | Non-returnable valve   |
| 38  | Shower                 |
| 39  | Connector              |
| 40  | Base                   |
| 41  | O-ring                 |
| 42  | Threaded sleeve        |
| 43  | Gasket assembly        |
| 44  | Lock nut               |
| 45  | Screw                  |
| 46  | O-ring                 |
| 47  | Copper tube            |
| 48  | Plastic base           |
| 49  | Flexible hose          |
| 50  | Deck plate             |
| 51  | Gasket                 |

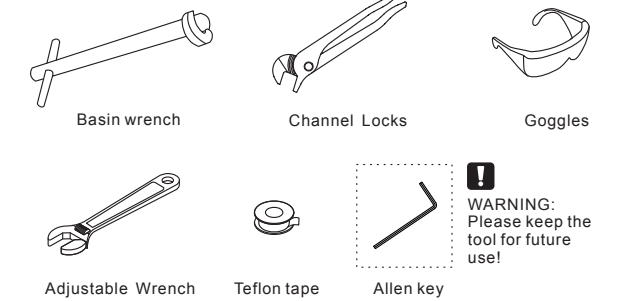


SINGLE HANDLE KITCHEN FAUCET



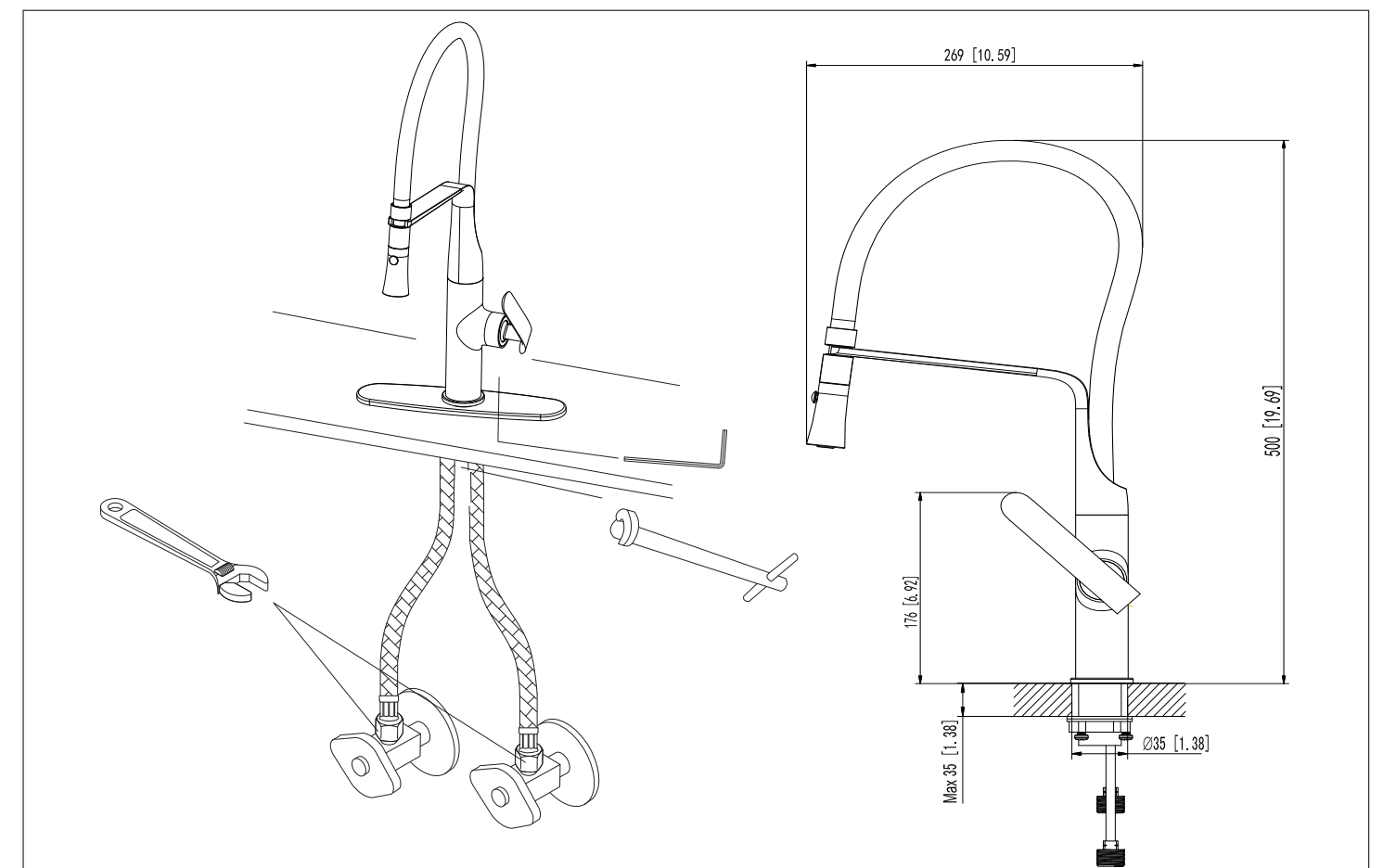
ASME A112.18.1/CSA B125.1

RECOMMENDED TOOLS

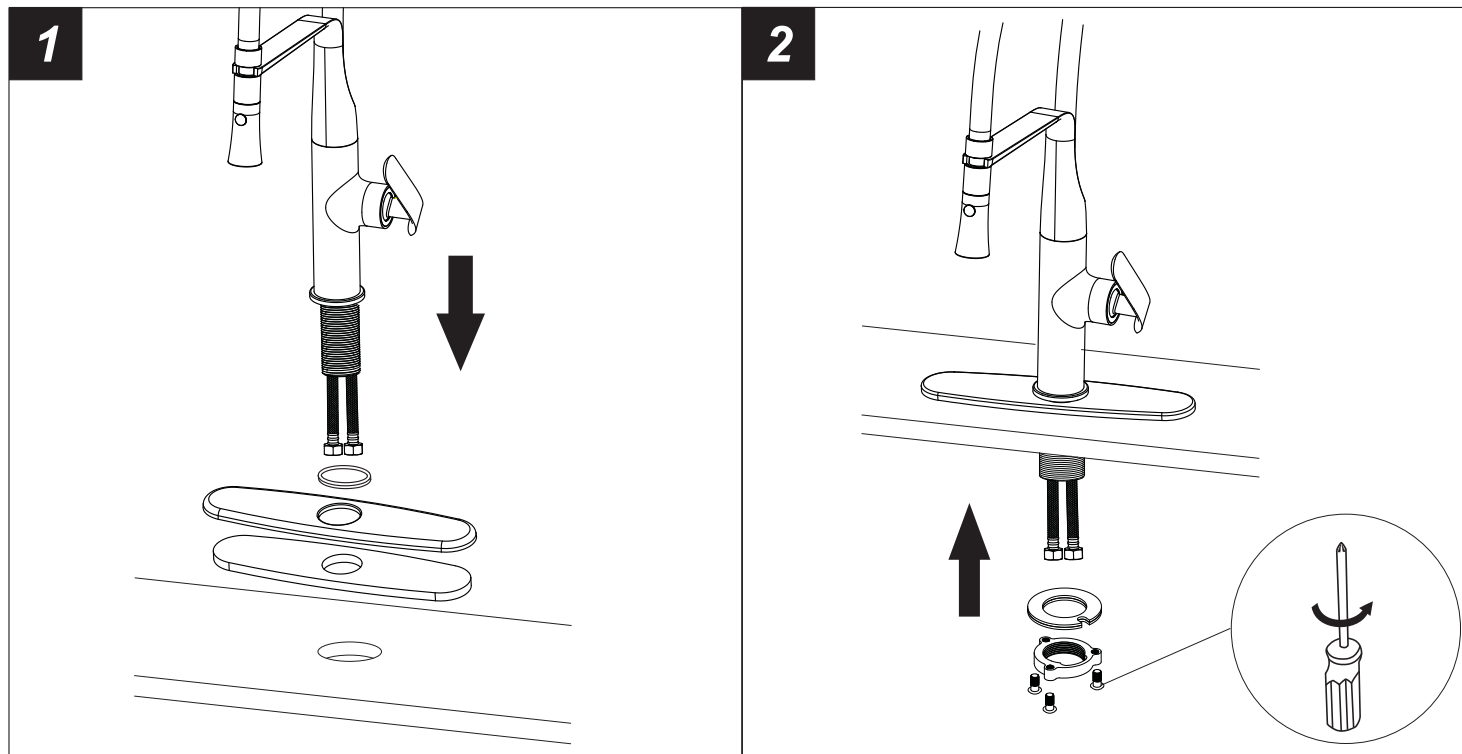


**Attention:**  
for easy installation, you will need:  
1. To read all the installation instruction completely before beginning.  
2. To read all the warning, attention and maintenance information.  
3. To purchase the proper supply lines.

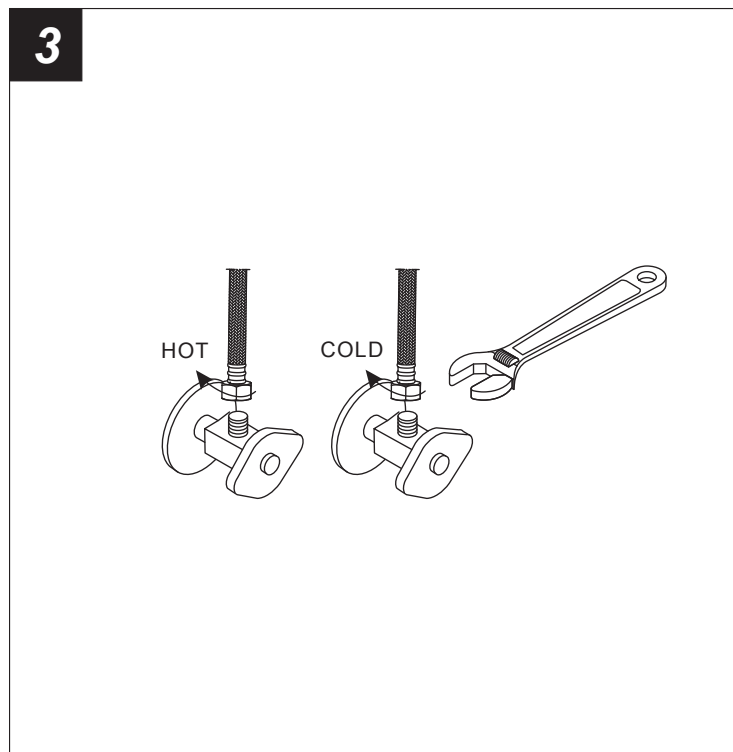
The tools might be applied to the following places:



## Step 1 Faucet installation



1. Position the faucet, o-ring on the installation surface.
2. Adjust the position of the faucet and secure it with the fixing kit as photo.



3. Connect the flexible hose to water supply valve (not included), and tighten it with adjustable wrench.

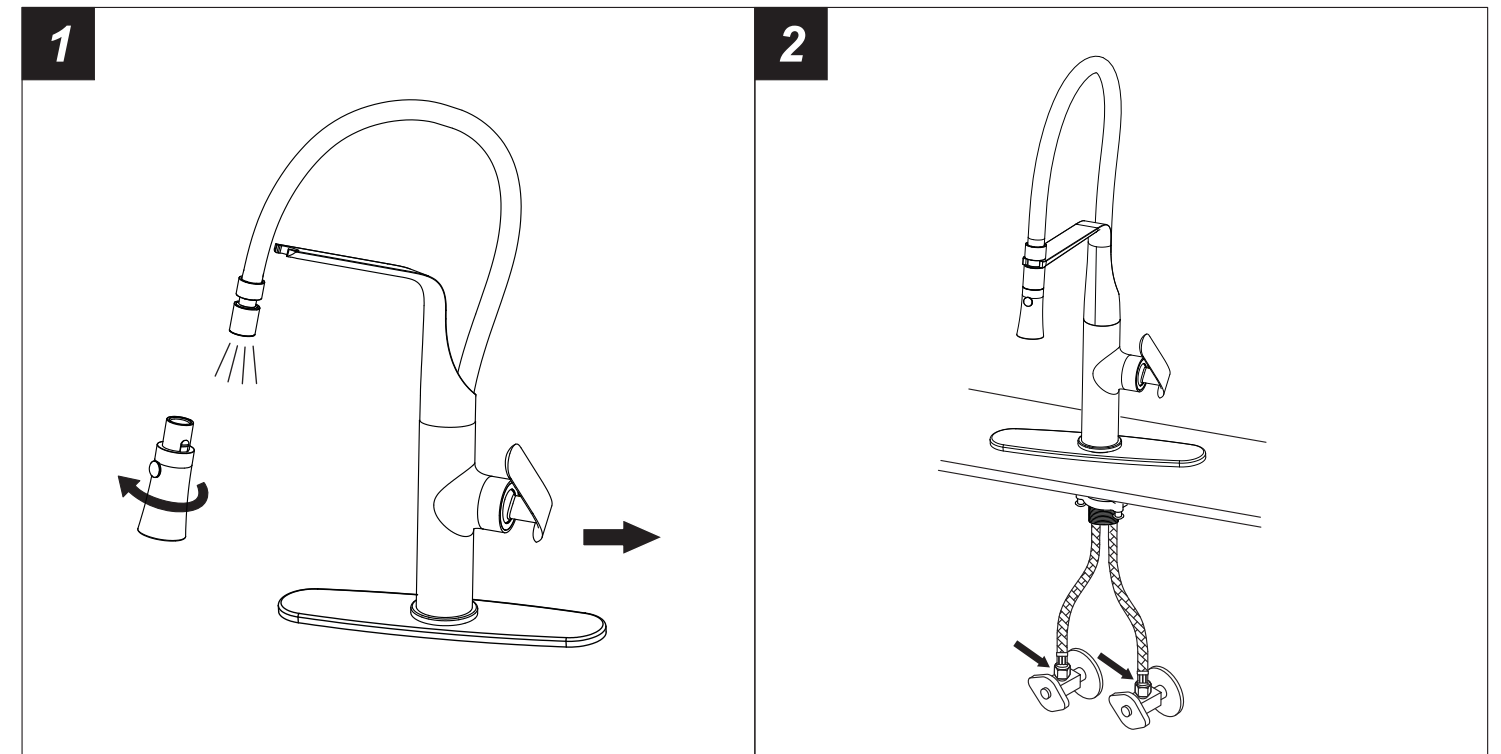
### **DON'T OVER TIGHTEN!**

Caution: make sure connect the hot and cold flexible hoses to supply valves correctly.

### **Warning:**

The supply valves are not included, please purchase them in plumb shop.

## Step 2 Checking and testing



1. Remove the shower by hand. Turn the faucet handle all the way on, turn on hot and cold water supply and flush water lines for one minute. Reinstall shower by hand.
2. Check all connections at arrows for leaks, re-tighten it if necessary.



**BUT DON'T OVERTIGHTEN**

## Step 3 Cleaning and care

Daily cleaning and care are required in order to keep the product shining and properly working.

- 1 Clean it with water and dry it with soft cloth.
- 2 Clean the product with gentle liquid or glass cleaner.
- 3 Don't use acid cleaner.
- 4 Don't clean with abrasive material, abrasive paper or knife.



# ANZZI KITCHEN SINK FAUCET

## KITCHEN PULL DOWN SPRAYER

**KF-AZ003**  
**ACCENT SERIES**

