

Vector HFS3322-1 Stainless Steel

Franke Vector stainless steel kitchen sinks bring Swiss precision design to your wonderful kitchen in an affordable package. The sleek slim-rim design and minimal radius corners give the Vector series a professional, modern look that is still easy to clean. Vector series kitchen and prep sinks are hand fabricated, available in many sizes and bowl configurations including single bowl, double bowl and triple bowl. The large and deep bowls make large items more manageable and Franke's Fast-in unique quick install system is included to make life easier.

Feature Overview:

- Swiss handcrafted precision design maximizes capacity and is easier to DIY install
- Contemporary slim rim design with minimal radius corners compliment the large capacity 9-inch deep bowl with drain lines
- Handcrafted heavy duty 18-Gauge stainless steel provides lasting durability
- Compatible with replacing existing 33" drop-in sink (rim is 33.5" wide)
- Pre-attached Fast-IN clips click into place allowing you to quickly install the sink top mount without tools (top mount)
- Template and hardware provided for safe and easy DIY topmount installation
- Ultra-Quiet sound-deadening pads eliminate excess noise and vibration from heavy pots, pans and utensils
- Can be installed as a topmount or undermount sink (professional installation recommended for undermount installation)
- Bowl Dimensions - 31.875" x 18.125", Int. Depth - 9"
- Custom accessories sold separately: Bottom Grid - BGHF115

Product Picture



Technical Drawing

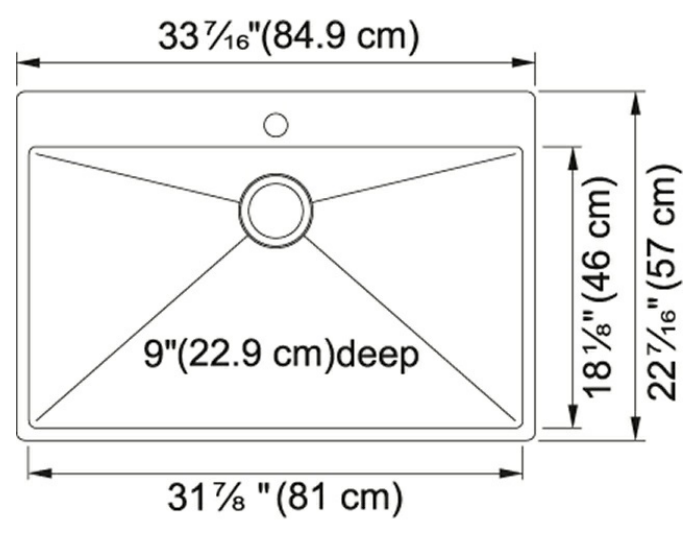
Product Dimensions

Length overall	22"
Width overall	33"
Depth Overall	9"
Length of large bowl	18"
Width of large bowl	31 1/4"
Depth of large bowl	9"
Minimum Cabinet Size	36"

General Information

Type of Material	18 Gauge Stainless Steel
Number of Bowls	1
Faucet Hole	1
Where to buy	Home Center





Article Numbers

FUN#	127.0371.974
US Part Number	HFS3322-1

