

Pfister.

Featuring



Filtration

GE APPLIANCES

Advanced
Filtration
2X Faster*

Lita®

GT-529-FL

Filtration Pull-Down
Kitchen Faucet



Xtract™
Filter Mode

Push Handle Back
For Filtered Water



GE APPLIANCES

2X High Flow
Filtration
Included

Welcome Guide

Lita[®] Faucet With Xtract[™] Filter Mode

Filtration Pull-Down Kitchen Faucet

Congratulations on the purchase of your Lita with Xtract[™] filtration pull-down kitchen faucet. Welcome to the Pfister family. We hope you enjoy the new level of advanced filtration, convenience, and speed.



Lita, featuring Xtract[™] delivers fresh, filtered water and regular tap water all in one faucet. Through the use of the GE[®] High Flow Filtration System, Lita reduces contaminants such as pharmaceuticals, chlorine, lead and mercury.

Activate Xtract[™] filter mode by simply moving the handle back. Fresh filtered water is delivered after 3 seconds.



Filtered Cold Water

Push Handle Back For Drinking Water

Tap Water

Regular handle use for washing dishes



Getting Started

Installation

A detailed installation guide is provided in the package. To watch a step-by-step installation video, simply scan the QR code to the right.



Should you have additional questions, our helpful team is standing by. Visit www.pfisterfaucets.com/xtract or call 800-Pfaucet (732-8238).

Hours of operation:

6:30am to 4:30pm PST, Mon-Fri
6:30am to 4:00pm PST, Sat
Closed Sunday and major holidays

Filter Installation & Replacement

We recommend to change the filter every 6 months or 300 gallons.

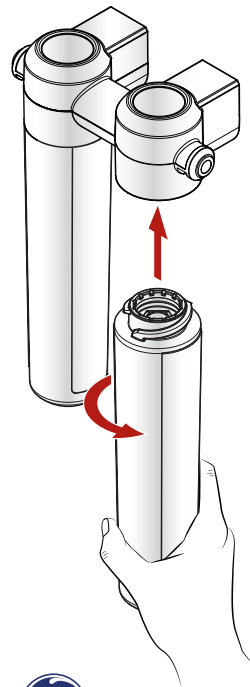
To remember, write the replacement date on the cartridge or sign up for convenient automated reminders here: www.PfisterReminder.com.

Replacement filters can be purchased at select home improvement centers or online. For more information please visit www.gewaterfilters.com.

Model/Order#:

GE Replacement Filter FQK2J

The estimated replacement filter cost: \$45-\$55 per set of 2



GE APPLIANCES

Installing & Replacing The Filter Cartridge

Twist on and off

Filter Benefits







GE APPLIANCES


Advanced Filter Performance

GE® 2X High Flow Filtration System filters water in a dual-flow filtration process, reducing common water chemicals such as chlorine, select pharmaceuticals, mercury and pesticides. It does this more effectively than most conventional drinking water systems such as filter pitchers or refrigerator filters.

Reduces:

	GE Filter	Refrigerator Filter	Faucet Filter Mount	Pitcher Filter
 Chlorine Taste & Odor	●	●	●	●
 Select Pharmaceuticals † Select Birth Control, Pain Relievers, Antidepressants, and Antibiotics	●	◐	◐	
 Lead and Mercury	●	◐		
 Select Pesticides Insecticides, and Herbicides	●	◐	◐	

Filter Capacity:

 High Capacity Exceeds other common filters	6 months 300 gal.	6 months 170-300 gal.	3 months 75-100 gal.	2 months 40 gal.
---	--------------------------------	------------------------------------	-----------------------------------	-------------------------------

† REDUCES: Atrazine, Lindane, Toxaphene, Mercury, Atenol, Carbamazepine, Trimethoprim, Linuron, Estrone, BPA, and Nonyl Phenol

† Incidental contaminants/emerging compounds which have been detected in drinking water supplies at trace levels can affect public acceptance/perception of drinking water quality.

WARNING: Do not use with water that is microbiologically unsafe or of unknown quality, without adequate disinfection before or after the system.

For the detailed performance data sheet of model GXK295JNN, please visit www.geappliances.com

2X High Flow Filtration*



GE APPLIANCES

Unrivaled Speed

GE® 2X High Flow Filtration System offers advanced filtration, 2X faster than most common drinking water dispensers. With faster water delivery, Lita makes cooking with filtered water easier than ever.



High Flow Filtration



Lita® Faucet
1.0 GPM*



Refrigerator
0.6 GPM*



Faucet Mount
0.5 GPM*



*GPM = Gallons Per Minute

Lita® Faucet vs. Bottled Water

Cost Savings

	1 Year	3 Years	5 Years
Bottled Water Cost 6 16.9 oz. bottles/day @ \$0.37	\$810	\$2,431	\$4,052
Lita Filtered Water Cost Including Faucet, Filters, Tap Water	\$675	\$875	\$1075
Your Savings	\$135	\$1,556	\$2,997

An investment
that pays for itself.



*Based on: Average cost of \$0.37 for 16.9 oz. water bottle
List Price \$625 for Lita with Xtract faucet
MSRP \$45-55 for GE replacement filter (6 month filter life)

Environmental Impact



5 Out Of 6

plastic bottles are improperly recycled.



17 Million Oil Barrels

are used in the production of plastic water bottles each year. That's enough to fuel 1,000,000 cars for one year.



6.74 Gallons Of Water

are used in the production and transportation of a 1-liter water bottle.



1 Liter Of Fossil Fuel

is used in the production and transportation of one plastic bottle and emits 1.2lb of greenhouse gases.



24 Billion Plastic Bottles

are trashed each year just in the U.S.

General Care & Maintenance

Surface Cleaning

Simply use a damp cloth to wipe clean and blot dry with a soft towel. Use of polish, detergents or harsh abrasives may cause damage and can void your warranty.

Frequently Asked Questions

Q: How do I know when the filters need to be replaced?

A: It is recommended to replace the filters every 6 months under normal usage conditions. To set up a convenient automated reminder when it is time to replace your cartridges, please visit www.PfisterReminder.com.

Q: How do I change the filter cartridges?

A: The GE® filter cartridges are equipped with a “twist & lock” mechanism. To remove, simply twist the cartridge clockwise and then pull the filter down. To insert the new cartridge, twist counter clock-wise until the cartridge is locked.

Q: Can this faucet dispense warm and hot filtered water?

A: No. This filter system filters water from the cold water supply line only.

Q: Why is the faucet not dispensing filtered water all the time?

A: Limiting the filter mode to only drinking water use extends the filter life.

Q: Who should I contact with questions about the faucet or the GE filter system?

A: Please contact Pfister Customer Service at 800-Pfaucet (732-8238)

Troubleshooting



GE APPLIANCES

Problems

Possible Causes

What To Do...

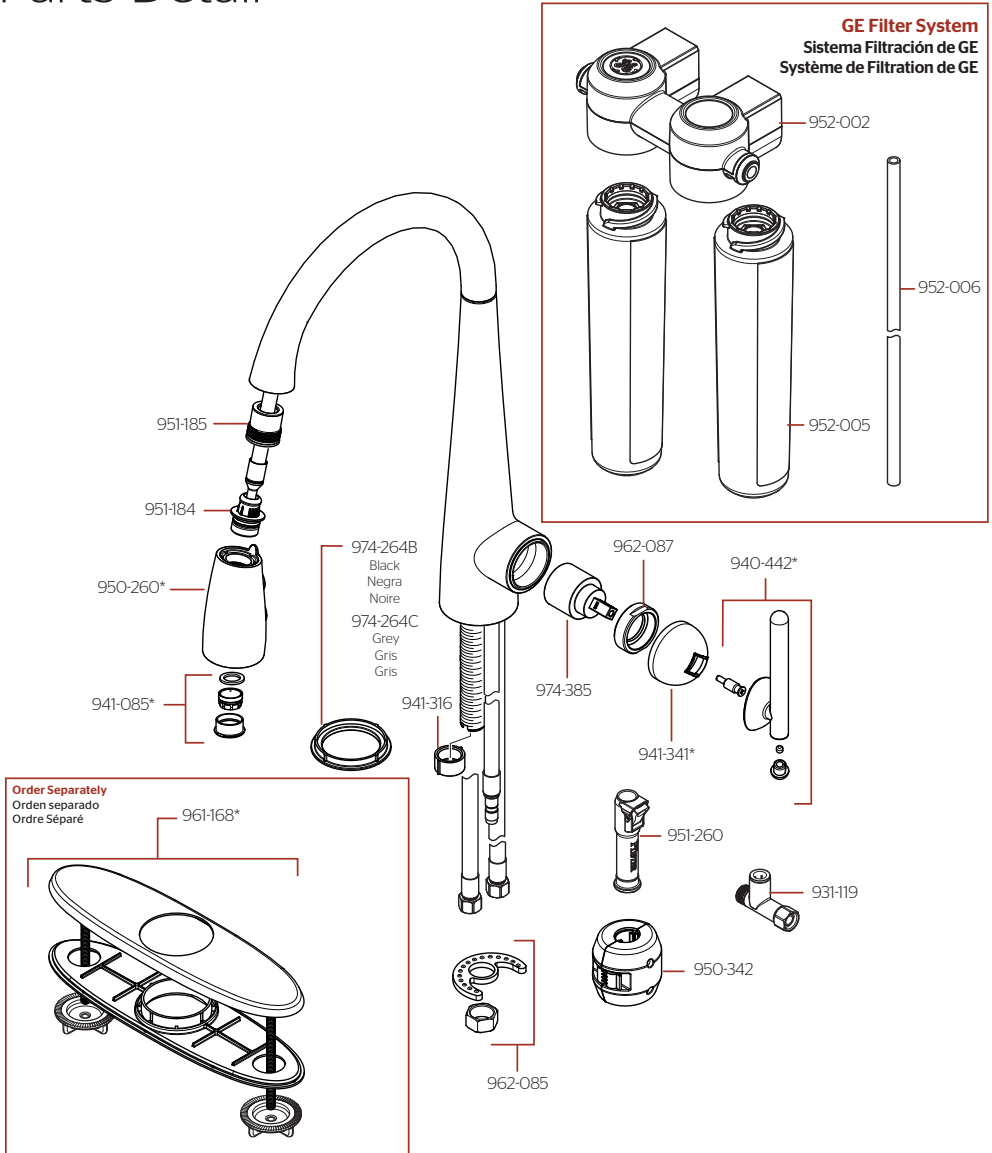
GE Filters

Water containing tiny black particles	New filter canisters contain activated carbon.	Turn on the filtered water faucet and allow to run for 11 gallons (or approx. 10 minutes) to flush out any harmless carbon fines present.
Cloudy water or air bubbles	Air in system after installation.	Will go away after water runs for a while.
Chlorine Taste & Odor	The filter canisters are no longer reducing chlorine taste and odor from the water supply.	Replace the filter canisters.
Water slowly dispensing	The filters have been installed for too long. The filter canisters may be clogged.	A six-month change-out period is recommended. Replace both filter canisters • High sediment levels can cause premature clogging.
Leaky Fittings	Tubing may not be installed properly.	Fully follow the installation instructions and be sure the tubing is free of nicks, burrs, etc. , and is installed to the proper depth.
Water not dispensing	Filter canisters not fully installed.	Fully follow the filter replacement instructions.

Lita Faucet

Low Flow in Unfiltered Mode	If you are experiencing low flow from your faucet while in unfiltered mode your aerator may be clogged	Remove and clean the aerator. Flush your faucet for 15 seconds. Re-install the aerator.
------------------------------------	--	---

Parts Detail



Lita®
GT529-FLC
Polished Chrome Finish
GT529-FLS
Stainless Steel Finish

1-800-PFAUCET (732-8238)
 pfisterfaucets.com

Pfister stands behind every product
with our Pforever Warranty.



Faucet Warranty

Lifetime limited warranty against leaks, drips and finish defects to original consumer purchaser.

GE Filter Manifold Warranty

One-Year Limited Warranty.

GE Filter Cartridge Warranty

One-Month Limited Warranty

For additional warranty information and replacement parts, visit pfisterfaucets.com/support or call 1-800-PFAUCET (732-8238)

Product Registration

Facilitate your warranty coverage by registering your product online at pfisterfaucets.com/register. By registering we can also expedite any technical assistance, should you need it in the future. Be sure to sign up to receive helpful tips, learn more about other Pfister products and enter our sweepstakes with great prizes!

IMPORTANT SAFETY INFORMATION

WARNING:

Safety Precautions

- Use the Water Filtration system on a potable, safe-to-drink, home COLD water supply only. The filter canisters will not purify the water, or make it safe to drink.
- Do not use on a hot water supply (100°F max.). Install on a cold water line only.
- Whenever water of unknown quality is passed through the GE Water Filtration system, the filter canisters should be discarded and the filtration system flushed.

WARNING: To reduce the risk associated with the ingestion of contaminants, do not use with water that is microbiologically unsafe or of unknown quality without adequate disinfection before or after the system.

PfISTER



/pfisterfaucets

Pfister® Lifetime Mechanical & Pfinish Limited Warranty
Covers Pfinish & Pfunction for as Long as You Own Your Home
Five-Year Limited Warranty on Electrical Components

One-Year Limited Warranty on GE Filter Components (Excluding GE Filter Cartridges)

Pfister provides the following warranties for its products. Proof of purchase may be required in order to obtain any of the benefits set forth below. Commercial applications limit the duration of the warranties provided below.

Limited Warranties: Pfister warrants that for as long as the original purchaser owns the home in which the Pfister product (the "Product" excluding the electronic sensor, control box, power unit, GE filter manifold and GE filter cartridges) is originally installed, the Product will be free of all defects in material and workmanship that would impair the intended and proper use of the Product. If the Product is installed in a commercial application, the above mechanical warranty shall be limited for a period of ten (10) years from the date of purchase of the Product.

For the electrical components including the electronic sensor, control box and power unit (battery pack or AC adapter), Pfister provides a five-year limited warranty to the original residential user of the product against defects in material and workmanship, as long as the original user occupies the premises in which the product was originally installed.

Pfister provides a one-year limited warranty for the GE filter manifold and a one-month limited warranty for the GE filter cartridges to the original residential user of the product against defects in material and workmanship, as long as the original user occupies the premises in which the product was originally installed.

Pfister warrants against deterioration of the Product's finish for as long as the original purchaser owns the home in which the Product is originally installed. If the Product is installed in a commercial application, the above finish warranty for Products that do not contain the Pforever finish shall be limited to a period of five (5) years from the date of purchase.

Exclusive Remedy: In the event of any defect in the Product that breaches the foregoing warranties, Pfister, solely at its option, will repair or replace the defective part of the Product. Repair or replacement of the Product is the exclusive remedy. For any remedy under this warranty, Pfister is to be notified describing the problem. In order to notify Pfister and receive assistance or service under this warranty, the original purchaser may: (1) call 1-800-Pfaucet (1-800-732- 8238) for a consumer service representative who can assist you, or (2) write consumer service department c/o Pfister Inc., 19701 DaVinci, Lake Forest, CA 92610, and include a description of the problem, model number, your name, address, phone number and approximate date of purchase, or (3) email Pfister's customer service department by going to www.pfisterfaucets.com, or (4) notify the location or distributor from which the Product was purchased. In any case, you may be required to return the Product to Pfister for inspection and proof of purchase may be required.

Limitations and Exclusions: Pfister WILL NOT BE LIABLE FOR ANY OTHER DAMAGES OR LOSSES, INCLUDING, BUT NOT LIMITED TO, INCIDENTAL AND/OR CONSEQUENTIAL DAMAGES, REGARDLESS OF THE LEGAL THEORY ASSERTED, INCLUDING ANY CLAIM OR BREACH OF WARRANTY HEREUNDER OR ANY OTHER CAUSE, AND WHETHER ARISING IN CONTRACT OR IN TORT (including negligence and strict liability).

Pfister has the right to discontinue or modify any product at any time. Some states do not allow limitations or exclusions of incidental or consequential damages, so the above limitations or exclusions may not apply to you. This warranty gives you specific legal rights, and you may also have other rights which vary from state to state.

The above warranties do not cover damage resulting from improper maintenance, repair, cleaning or installation, misuse, abuse, alterations, accidents or acts of God.

PfISTER.

Featuring



Filtration

GE APPLIANCES

**Filtración
Avanzada
2 Veces
Más Rápido***

Lita®

GT-529-FL

**Grifo de cocina
extensible curvo
para filtración**



**Xtract™
Filter Mode**

**Presione la manija hacia
atrás para obtener agua filtrada**



GE APPLIANCES

2X

El Sistema
de Filtración
Incluye

Guía de Bienvenida

Lita® con modalidad de filtración Xtract™

Grifo extensible curvo de cocina con filtración

Felicitaciones por la compra de su nuevo grifo extensible curvo de cocina Lita con filtración Xtract™. Bienvenido a la familia Pfister. Esperamos que disfrute el nuevo nivel de agua saludable, la comodidad y la rapidez.



Lita con Xtract™ suministra agua dulce filtrada y agua regular todo en un solo grifo. Disminuye los contaminantes tales como los fármacos, el cloro y el mercurio a través del uso del sistema de filtración de alto flujo GE™ 2X.

Active la modalidad de filtro Xtract™ simplemente moviendo la manija hacia atrás. El agua dulce filtrada comienza a fluir en 3 segundos.



Agua fría filtrada

Empuje la manija hacia atrás para obtener agua potable

Agua sin filtrar

Uso manija regular para lavar los platos



Inicio

Instalación

La guía de instalación detallada se encuentra en el interior del empaque. Para ver un video de instalación paso a paso, simplemente escanee el código QR a la derecha.



Si tiene preguntas, nuestro equipo eficiente y bien informado está a su disposición. Visite www.pfisterfaucets.com/xtract o llame al 1-800-Pfaucet (732-8238).

Horas de funcionamiento:

6:30am to 4:30pm PST, Lunes – Viernes
6:30am to 4:00pm PST, Sábado
Cerrado domingos y festivos principales

Instalación y cambio del filtro

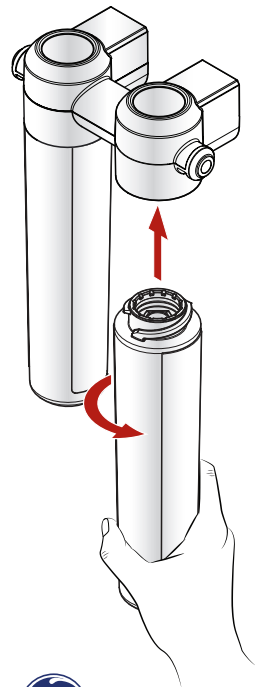
Recomendamos cambiar el filtro cada 6 meses o 300 galones. Para recordarlo, escriba la fecha del cambio en el cartucho o regístrate para recordatorios automáticos convenientes aquí: www.PfisterReminder.com.

Los filtros de recambio se pueden adquirir en centros de mejoramiento para el hogar seleccionados o a través de Internet.

Para más información visite www.gewaterfilters.com.

Modelo/Orden#: Filtro GE FQK2J

Costo filtro de reemplazo estimado:
\$45-\$55 por juego de 2



GE APPLIANCES

Instalación y cambio del cartucho del filtro

Gire para colocar o retirar

Beneficios del filtro



GE APPLIANCES

Filtro de rendimiento avanzado

El sistema de filtración GE® 2X de Alto Flujo, filtra el agua mediante la filtración de doble flujo, disminuyendo las sustancias químicas presentes en el agua como cloro, fármacos, plomo, mercurio y pesticidas. Es mucho efectiva que los sistemas de agua potable convencionales como jarras con filtro o los filtros de refrigerador.

Disminuye:

	Filtro GE	Filtro de refrigerador	Montaje en grifo	Filtro de jarra
Sabar y olor a cloro	●	●	●	●
Fármacos † Seleccione anticonceptivos, calmantes, antidepresivos, tranquilizantes y antibióticos	●	◐	◐	
Plomo y Mercurio	●	◐		
Pesticidas, insecticidas y herbicidas seleccionados	●	◐	◐	

Capacidad del filtro:

Filtro de alta capacidad Supera otros filtros comunes	6 meses 300 gal.	6 meses 170-300 gal.	3 meses 75-100 gal.	2 meses 40 gal.
---	-------------------------------	-----------------------------------	----------------------------------	------------------------------

† DISMINUYE: Atrazine, Lindane, Toxaphene, Mercury, Atenol, Carbamazepine, Trimethoprim, Linuron, Estrone, BPA y Nonyl Phenol

† Incidentales los contaminantes o los nuevos compuestos que han sido detectados en el suministro de agua potable a nivel de traza puede afectar a la salud pública aceptación/percepción de la calidad del agua potable.

ADVERTENCIA: Para reducir el riesgo de ingestión de contaminantes, no lo utilice con agua no segura desde el punto de vista microbiológico o de calidad desconocida sin una adecuada desinfección antes o después de la instalación.

Para la hoja de datos de rendimiento detallado del modelo GXK295JNN, visite www.geappliances.com

Filtración de alto flujo 2X*



GE APPLIANCES

Velocidad incomparable

El sistema de filtración de alto flujo GE® 2X brinda filtración avanzada, 2 veces más rápida que la mayoría de los dispensadores comunes de agua potable. Con una mayor velocidad de dispensación de agua, Lita permite cocinar con agua filtrada de manera más fácil que nunca antes.

2X

Filtración de alto flujo 2X



Grifo Lita®
1.0 GPM*



Refrigerador
0.6 GPM*



Filtro de jarra
0.5 GPM*



*GPM = Galones por minuto

Lita® Grifo vs. agua embotellada

Ahorro de costes

	1 Año	3 Años	5 Años
Costo del agua embotellada 6 envases de 16.9 oz. al día a \$0.37	\$810	\$2,431	\$4,052
Costo del agua filtrada con Lita Incluyendo el grifo, los filtros y el agua	\$675	\$875	\$1075
Su ahorro	\$135	\$1,556	\$2,997

Una inversión que se paga por si mismo.

*Basado en: El costo promedio de \$ 0,37 por 16,9 oz br
Precio de lista \$625 para Lita con Xtract grifo
\$45-55 para filtro de repuesto GE (6 meses de vida del



Impacto ambiental



5 de cada 6

envases plásticos no se reciclan adecuadamente.



17 millones de barriles
de petróleo

se utilizan en la producción de envases plásticos para agua todos los años. Eso representa suficiente para llenar de combustible 1,000,000 carros durante un año.



6.74 galones de agua

se utilizan en la producción y transporte de un envase de agua de 1 litro.



1 litro de combustible fósil

se utiliza en la producción y transporte de un envase plástico y emite 1.2 lb de gases de invernadero.



24 mil millones de
envases plásticos

se desechan en la basura todos los años solo en EE. UU.

Cuidado y mantenimiento en general

Limpieza de la superficie

Simplemente utilice solo un paño húmedo para limpiar y seque con una toalla suave. El uso de pulimentos, detergentes o abrasivos fuertes puede ocasionar daños y anular su garantía.

Preguntas más frecuentes

P: ¿Cómo sabré cuando necesito cambiar los filtros?

R: Se recomienda que cambie los filtros cada 6 meses bajo condiciones normales de uso. Para configurar un práctico recordatorio por correo automáticos convenientes sobre cuando cambiar sus cartuchos, visite www.PfisterReminder.com

P: ¿Cómo cambio los cartuchos del filtro?

R: Los cartuchos del filtro GE® están equipados con un mecanismo de “cierre por torsión”. Para retirar, simplemente gire el cartucho en el sentido horario y hale el filtro hacia abajo. Para insertar el cartucho nuevo, gire en el sentido antihorario hasta que el cartucho quede bloqueado.

P: ¿Puede este grifo dispensar agua filtrada caliente y tibia?

R: No. Este sistema filtra el agua de la tubería de agua fría únicamente.

P: ¿Por qué el grifo no dispensa agua filtrada todo el tiempo?

R: Limitar la modalidad del filtro solo para uso del agua potable prolonga la vida del filtro.

P: ¿Con quién puedo comunicarme si tengo preguntas sobre el grifo o el sistema de filtración GE?

R: Comuníquese con el Servicio al cliente de Pfister al 800.952.5039 en los Estados Unidos

Guía de solución de problemas



GE APPLIANCES

Problema

Posibles
Causas

Qué
hacer...

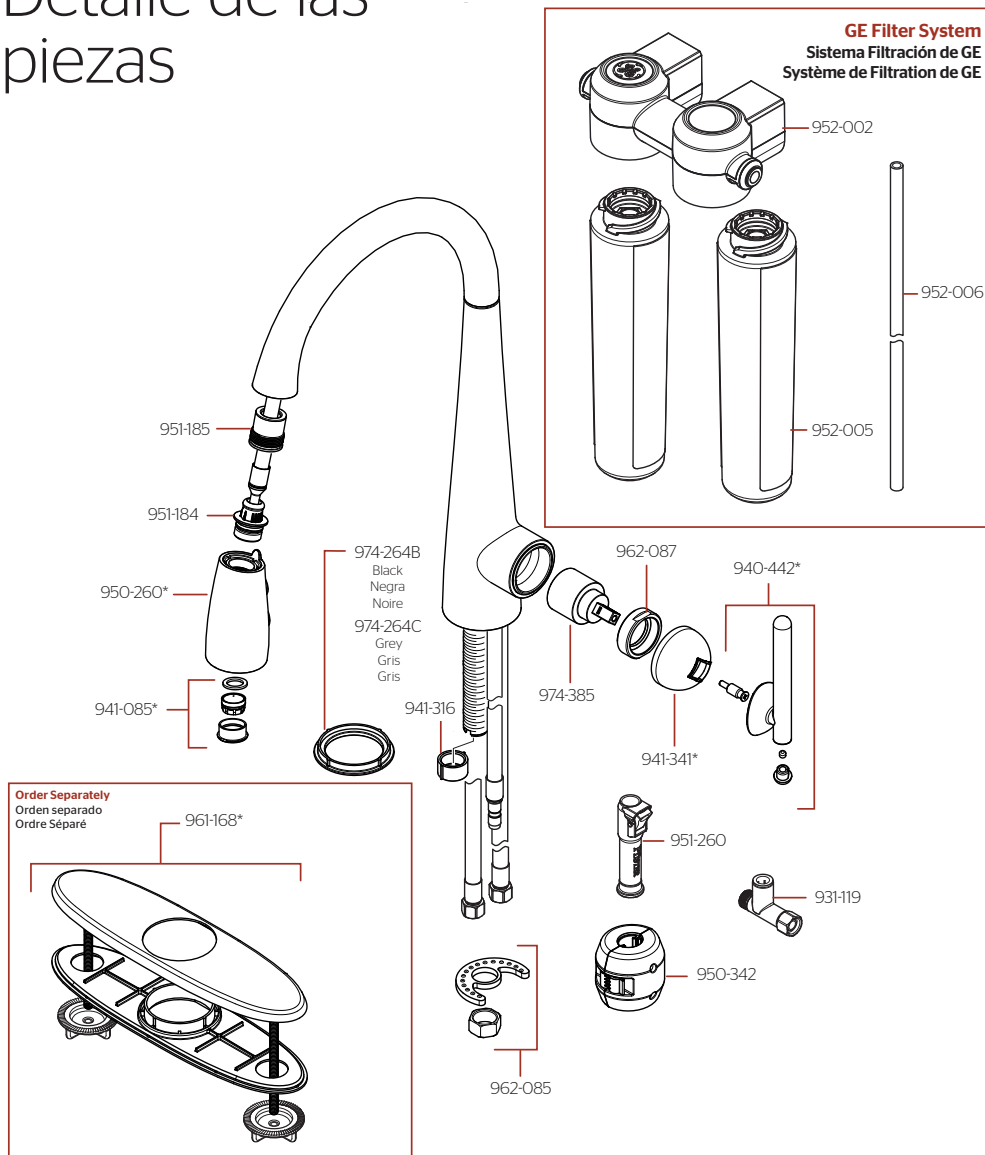
GE Filters

El agua contiene pequeñas partículas negras	Los nuevos cartuchos de los filtros contienen carbono activado.	Abra el grifo de agua filtrada y deje correr 11 gal. (o aprox. 10 min) para descargar las partículas inofensivas de carbón que estén presentes.
El agua tiene burbujas de aire	Hay aire en el sistema después de la instalación.	Desaparecerá después de que el agua corra por un tiempo.
Olor y sabor a cloro en el agua producida	El cartucho del filtro ya no está reduciendo el sabor y olor a cloro del suministro de agua.	Reemplace los cartuchos de los filtros.
El agua se dispensa muy lentamente	El filtro ha estado instalado por mucho tiempo.	Se recomienda un periodo de cambio de seis meses. Reemplace los cartuchos de los filtros.
Instalaciones con fugas	Los cartuchos de los filtros están obstruidos.	Altos niveles de sedimento pueden causar una obstrucción prematura. Reemplace los cartuchos de los filtros.
No sale agua del sistema	Los cartuchos de los filtros no están instalados completamente.	Siga completamente las instrucciones para reemplazo.

Grifo Lita

Poco flujo en modalidad sin filtración	Si experimenta poco flujo en el grifo mientras está en la modalidad <i>sin filtración</i> su aireador puede estar obstruido.	Retire y limpie el aireador. Descargue su grifo durante 15
---	--	--

Detalle de las piezas



Lita®

GT529-FLC

Acabado de cromo pulido

GT529-FLS

Acabado de acero inoxidable

1-800-PFAUCET (732-8238)

pfisterfaucets.com

Pfister respalda cada producto con nuestra garantía Pforever.



Garantía del grifo

Garantía limitada de por vida contra fugas, goteo y defectos del acabado para el comprador consumidor original.

GE Filtrar Garantía Múltiple

Garantía limitada de un año.

Garantía GE cartucho del filtro

Uno meses de garantía limitada

Comuníquese con GEAppliances.com o llame al 800.952.5039 en los Estados Unidos o al 866.777.7627 en Canadá.

Inscripción del producto

Facilitar la cobertura de su garantía al registrar su producto en línea en Pfisterfaucets.com/register. Al inscribirse también podemos agilizar la asistencia técnica si la necesitara en el futuro. ¡Inscríbese para recibir consejos prácticos, conocer más sobre otros productos Pfister y participar en concursos con estupendos premios!zles!

INFORMACIÓN IMPORTANTE DE SEGURIDAD

ADVERTENCIA:

Precauciones De Seguridad

- Use el sistema de Filtro de Agua en un suministro hogareño de agua FRÍA, potable y segura para beber. El cartucho del filtro no purificará el agua ni hará que sea segura para beber.
- No use en un suministro de agua caliente (máximo de 100°F). Instale en un suministro de agua fría únicamente.
- Cada vez que agua de calidad desconocida es pasada a través del sistema de filtración de agua GE, los cartuchos de los filtros deberían ser deshechados y el sistema de filtración lavado.

ADVERTENCIA: A fin de reducir el riesgo asociado con la ingestión de contaminantes, no use con agua que no sea segura a nivel microbacteriológico o de calidad desconocida, sin una desinfección adecuada, antes o después, del sistema.

PfISTER



[/pfisterfaucets](https://www.pfisterfaucets.com)

Garantía limitada de Pfinish y garantía mecánica de por vida de Pfister®

Cubre los productos Pfinish y Pfunction mientras sea propietario de su hogar

Garantía limitada de cinco años en los componentes eléctricos

Un año de garantía limitada en los componentes del filtro GE (no incluye los cartuchos del filtro GE)

Pfister ofrece las siguientes garantías con sus productos. Puede requerirse prueba de compra para obtener los beneficios descritos a continuación. Los usos comerciales limitan la duración de las garantías ofrecidas a continuación.

Garantías limitadas: Pfister garantiza que el producto no tendrá ningún defecto en el material y la mano de obra que impidan el uso previsto y adecuado del mismo mientras el comprador original sea propietario del hogar en donde se instaló originalmente el producto de Pfister (no se incluye el sensor electrónico, la caja de control, la unidad de potencia, el múltiple y los cartuchos del filtro GE). Si el producto se instala en un entorno comercial, la garantía mecánica precedente se limitará a un período de diez (10) años a partir de la fecha de compra del producto.

Pfister ofrece una garantía limitada de cinco años en los componentes eléctricos lo cual incluye el sensor electrónico, la caja de control y la unidad de potencia (el bloque de pilas o el adaptador de CA) al usuario residencial original del producto contra defectos en el material y la mano de obra mientras el usuario original ocupe las instalaciones en las que se instaló originalmente el producto.

Pfister ofrece una garantía limitada de un año para el múltiple del filtro GE y una garantía limitada de un mes para los cartuchos del filtro GE al usuario residencial original del producto contra defectos en el material y la mano de obra, siempre que el usuario original ocupe las instalaciones en las que se instaló originalmente el producto.

Pfister garantiza el acabado de los productos contra el deterioro siempre que el comprador original sea el propietario del hogar en donde se instaló originalmente el producto. Si el producto se instala en un entorno comercial, la garantía precedente del acabado de los productos que no contengan el acabado Pforever se limitará a un período de cinco (5) años a partir de la fecha de compra.

Recurso exclusivo: Si hubiera cualquier defecto en el producto que no cumpliera las garantías precedentes, Pfister, decidirá exclusivamente, según su criterio, si repara o reemplaza la pieza defectuosa del producto. El único recurso de que se dispone será la reparación o el reemplazo del producto. Para todo recurso cubierto por esta garantía, Pfister deberá ser notificada y recibir una descripción del problema. Para notificar a Pfister y recibir asistencia o servicio técnico cubierto por esta garantía, el comprador original puede hacer lo siguiente: (1) llamar a 1-800-Pfaucet (1-800-732-8238) para hablar con un representante de servicio al cliente que pueda ayudarlo o (2) escribir al departamento de servicio al cliente a c/o Pfister Inc., 19701 DaVinci, Lake Forest, CA 92610 e incluir una descripción del problema, número de modelo, su nombre, dirección, número de teléfono y fecha aproximada de compra o (3) enviar un mensaje de correo electrónico al departamento de servicio al cliente de Pfister desde www.pfisterfaucets.com o (4) notificar al lugar o al distribuidor donde se compró el producto. En todos los casos, puede solicitarse que devuelva el producto a Pfister para su inspección y que envíe una prueba de compra.

Limitaciones y exclusiones: Pfister NO SERÁ RESPONSABLE POR NINGÚN DAÑO O PÉRDIDA, LO CUAL INCLUYE POR EJEMPLO, DAÑOS FORTUITOS Y/O INDIRECTOS, CUALQUIERA SEA LA TEORÍA JURÍDICA ALEGADA, LO CUAL INCLUYE TODA RECLAMACIÓN O INCUMPLIMIENTO DE LA PRESENTE GARANTÍA O CUALQUIER OTRA CAUSA, YA SEA QUE SURJA POR CONTRATO O PERJUICIO (lo cual incluye negligencia y responsabilidad estricta).

Pfister NO SERÁ RESPONSABLE POR NINGÚN DAÑO O PÉRDIDA, LO CUAL INCLUYE POR EJEMPLO, DAÑOS FORTUITOS Y/O INDIRECTOS, CUALQUIERA SEA LA TEORÍA JURÍDICA ALEGADA, LO CUAL INCLUYE TODA RECLAMACIÓN O INCUMPLIMIENTO DE LA PRESENTE GARANTÍA O CUALQUIER OTRA CAUSA, YA SEA QUE SURJA POR CONTRATO O PERJUICIO (lo cual incluye negligencia y responsabilidad estricta).

Las garantías anteriores no cubren los daños ocasionados por el mantenimiento, las reparaciones, la limpieza o la instalación inadecuados, el uso indebido, el maltrato, las alteraciones, accidentes o casos de fuerza mayor.

Pfister.

Featuring



Filtration

GE APPLIANCES

**Filtration
Avancée
2 Fois Plus
Rapide***

Lita®

GT-529-FL

**Robinet de cuisine
à bec rétractable
et filtration**



**Xtract™
Filter Mode**

**Poussez la poignée vers l'arrière
pour obtenir de l'eau filtrée**



GE APPLIANCES

2X

Système de
filtration haut
débit inclus

Guide d'accueil

Lita® avec mode de filtration Xtract™

Robinet de cuisine à bec rétractable avec filtration

Félicitations pour l'achat de votre robinet de cuisine à bec rétractable Lita avec filtration Xtract™. Bienvenue dans la famille Pfister. Nous espérons que vous apprécierez le nouveau niveau d'eau saine, de commodité et de vitesse.



Lita, avec Xtract™, fournit une eau fraîche, filtrée ainsi que de l'eau du robinet ordinaire le tout dans un même robinet. Réduits les contaminants comme les produits pharmaceutiques, le chlore et le mercure par l'utilisation du système de filtration haut débit GE® 2X.

Activez le mode de filtration Xtract™ simplement en déplaçant la poignée vers l'arrière. De l'eau fraîchement filtrée sera disponible après 3 secondes.



Eau froide filtrée

Poussez la poignée vers l'arrière pour obtenir de l'eau à boire

Eau du robinet

L'utilisation de la poignée régulière pour laver la vaisselle



Démarrage

Installation

Un guide d'installation détaillé est fourni dans l'emballage. Pour visionner une vidéo d'installation étape par étape, il suffit de balayer le code QR à la droite.



Si vous avez des questions supplémentaires, notre équipe est là pour vous aider. Visitez [pfisterfaucets.com/xtract](https://www.pfisterfaucets.com/xtract) ou composez 1-800-Pfaucet (732-8238).

Horas de funcionamiento:

6:30am to 4:30pm PST, Lunes - Viernes
6:30am to 4:00pm PST, Sábado
Cerrado domingos y festivos principales

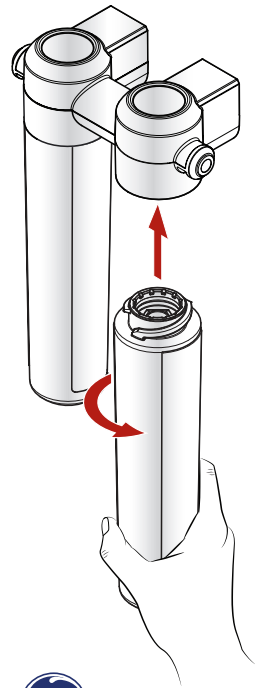
Installation et remplacement du filtre

Nous recommandons le changement du filtre tous les 6 mois ou 300 gallons. Pour vous en rappeler, notez la date de remplacement sur la cartouche ou inscrivez-vous pour plus de commodité rappels par automatisés pratiques ici: www.PfisterReminder.com.

Les filtres de remplacement peuvent être achetés dans certains centres de rénovation ou en ligne. Pour plus de renseignements veuillez visiter www.gewaterfilters.com.

Modèle/Ordre#: Filtre GE FQK2J

Estimation du coût de remplacement du filtre: \$45-\$55 par ensemble de 2



GE APPLIANCES

Installation et remplacement de la cartouche du filtre

Vissez et dévissez

Avantages du filtre







GE APPLIANCES

Performance de filtration avancée

Le système de filtration haut débit GE® 2X utilise un processus de filtration double débit réduisant les produits chimiques dans l'eau ordinaire comme le chlore, les produits pharmaceutiques, le mercure et les pesticides. Il est plus efficace que la plupart des autres systèmes comme les pichets à filtre ou les filtres de réfrigérateur.

Réduit:

	Filtre GE	Filtre de réfrigérateur	Montage de robinet	Filtre de pichet
 Goût et odeur de chlore	●	●	●	●
 Pharmaceutiques † Certains contraceptifs, analgésiques, antidépresseurs, tranquillisants et antibiotiques	●	●	●	
 Fer et Mercure	●	●		
 Certains pesticides, insecticides et herbicides	●	●	●	

La capacité de filtre:

 Filtre à haute capacité Dépasse les autres filtres communs	6 mois 300 gal.	6 mois 170-300 gal.	3 mois 75-100 gal.	2 mois 40 gal.
---	------------------------------	----------------------------------	---------------------------------	-----------------------------

† RÉDUIT: Atrazine, Lindane, Toxaphene, Mercury, Atenol, Carbamazépine, Triméthoprim, Linuron, Estrone, BPA et Nonyl Phenol

† Accessoire contaminants/les nouveaux composés qui ont été détectés dans les approvisionnements d'eau potable à des niveaux traces, peuvent influencer sur l'acceptation du public/la perception de la qualité de l'eau potable.

AVERTISSEMENT: Pour réduire le risque d'ingestion de contaminant, n'utilisez jamais votre système de filtration avec une eau microbiologiquement insalubre ou de qualité inconnue sans avoir un dispositif de désinfection adéquate en amont ou en aval de votre système.

Pour la fiche détaillée des données de performance du modèle GXK295JNN, s'il vous plaît visitez www.geappliances.com

Filtration haut débit 2X*



GE APPLIANCES

Une vitesse imbattable

Le système de filtration haut débit GE® 2X offre une filtration avancée, 2 fois plus rapide que la plupart des distributeurs d'eau potable ordinaires. Avec sa distribution d'eau plus rapide, Lita rend la cuisson avec l'eau filtrée plus facile que jamais.

2X

Filtration haut débit 2X



Robinet Lita®
1.0 GPM*



Réfrigérateur
0.6 GPM*



Filtre de pichet
0.5 GPM*



*GPM = Gallons par minute

Lita® Robinet vs. eau embouteillée

Les économies de coûts

	1 Année	3 Ans	5 Ans
Costo del agua embotellada 6 bouteilles de 16,9 oz /jour à 0,37 \$	\$810	\$2,431	\$4,052
Costo del agua filtrada con Lita Incluant le robinet, les filtres, et l'eau du robinet	\$675	\$875	\$1075
Vos économies	\$135	\$1,556	\$2,997

Un investissement
qui paie pour
lui-même.



*Basé sur: Le coût moyen de 0,37 \$ pour 16,9 oz bouteille d'eau
Prix 625 \$ pour Lita avec Xtract robinet
\$45-55 pour filtre de rechange GE (6 mois de vie du filtre)

Impact environnemental



5 parmi 6

bouteilles de plastique ne sont pas recyclées convenablement.



17 millions de barils
de pétrole

sont utilisés dans la fabrication des bouteilles de plastique chaque année. C'est suffisant pour approvisionner 1 000 000 de voitures pendant un an.



6,74 gallons d'eau

sont utilisés dans la fabrication et le transport d'une bouteille de 1 litre.



1 litre de combustible fossile

est utilisé dans la fabrication et le transport d'une bouteille de plastique et émet 1,2 lb de gaz à effet de serre.



24 mille milliards
de bouteilles de plastique

sont jetées chaque année aux É.-U. uniquement.

Entretien général

Nettoyage de la surface

Utilisez simplement un chiffon humide pour essuyer et séchez avec un linge doux. L'utilisation de polis, de détergents ou d'abrasifs agressifs peut endommager le robinet et annuler votre garantie.

Foire aux questions

Q : Comment puis-je savoir si les filtres doivent être changés?

R : Il est recommandé de remplacer les filtres tous les 6 mois sous des conditions d'usage normales. Pour recevoir un rappel par automatisés pratiques lorsqu'il est temps de remplacer vos cartouches, veuillez visiter www.PfisterReminder.com.

Q : Comment dois-je changer les cartouches du filtre?

R : Les cartouches de filtration GE® sont équipées d'un mécanisme de verrouillage par rotation. Pour la retirer, il suffit de tourner la cartouche dans le sens horaire et de tirer le filtre vers le bas. Pour insérer une nouvelle cartouche, tournez-la dans le sens anti-horaire jusqu'à ce qu'elle se verrouille.

Q : Est-ce que ce robinet peut distribuer de l'eau filtrée tiède et chaude?

R: Non. Ce système de filtration ne filtre que de l'eau provenant de l'alimentation en eau froide uniquement.

Q : Pourquoi le robinet ne distribue-t-il pas toujours de l'eau filtrée?

R : Limiter le mode de filtration à l'eau à boire uniquement permet d'allonger la vie du filtre.

Q : Qui puis-je contacter pour des questions à propos du robinet ou du système de filtration GE?

R: Veuillez contacter le service à la clientèle Pfister au 800.952.5039



Problème

Causes possibles

Correctifs...

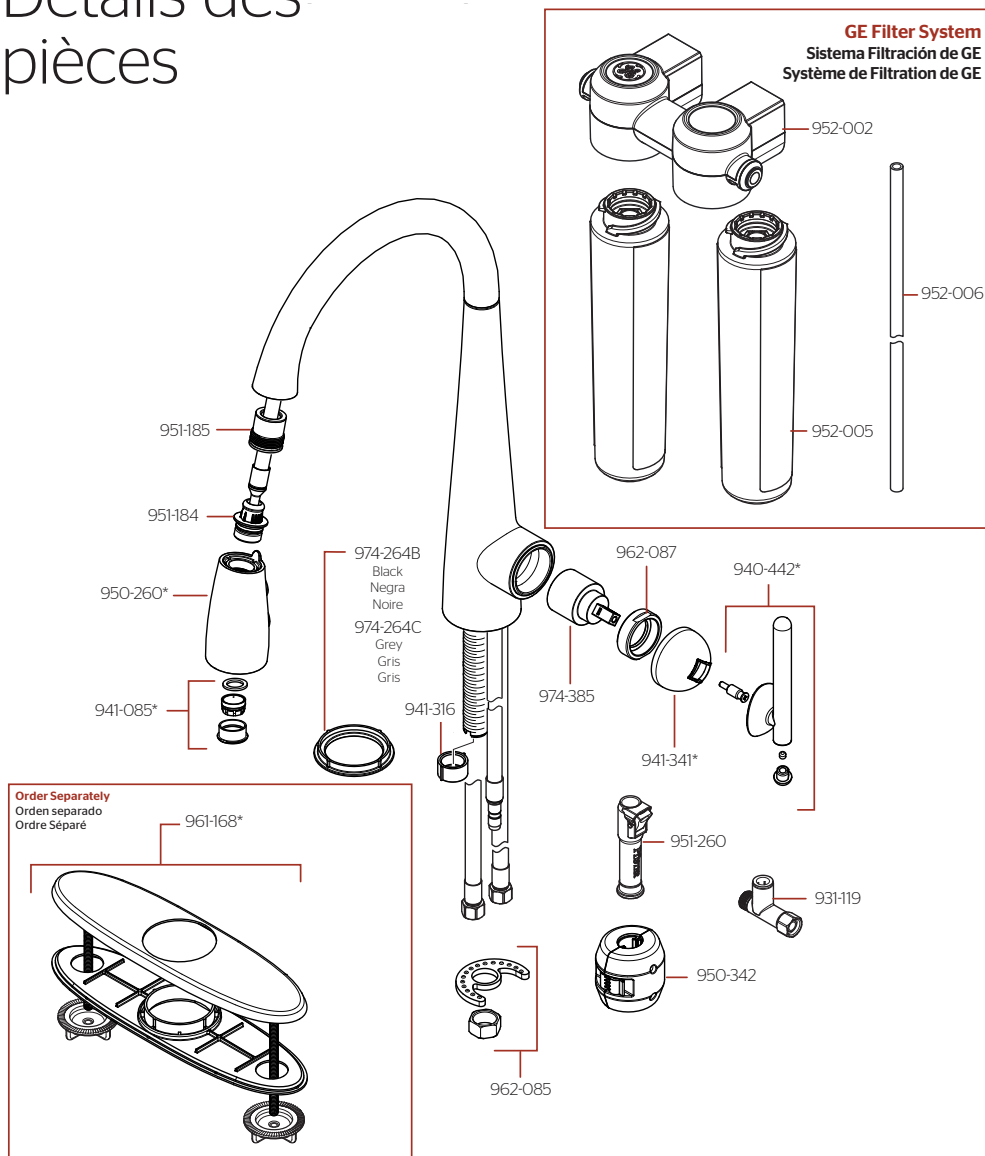
Filtres GE

L'eau contient des petites particules noires	Les nouvelles cartouches de filtre contiennent du charbon actif.	Ouvrez le robinet d'eau filtrée et laissez le système couler pendant 11 gallons (ou 10 minutes) pour éliminer toute fibre de charbon présente.
L'eau a des bulles d'air et est	Il y a de l'air dans le système après l'installation.	L'air disparaîtra après que l'eau ait coulé pendant un instant.
Il y a un goût et une odeur de chlore dans l'eau du produit	La cartouche de filtre ne réduit plus le taux du goût et de l'odeur de chlore, et de l'approvisionnement d'eau.	Remplacez les cartouches de filtre.
L'eau coule très lentement	Les filtres ont été installés trop longtemps.	Nous recommandons de changer le filtre tous les six mois. Remplacez les cartouches de filtre.
Raccords présentant des fuites	Les cartouches de filtre sont bouchées.	Des niveaux de sédiments importants peuvent occasionner un engorgement prématuré. Remplacez les cartouches de filtre.
Il n'y a pas d'eau qui sorte du	Les cartouches de filtre ne sont pas complètement installés.	Suivez bien les instructions de remplacement du filtre.

Robinet Lita

Débit faible en mode sans filtration	Si l'eau du robinet coule à un faible débit en mode sans filtration, votre aérateur peut être bloqué.	Retirez et nettoyez votre aérateur. Faites couler votre robinet pour le nettoyer pendant 15 secondes.
---	---	---

Détails des pièces



Lita®

GT529-FLC
Fini chrome poli

GT529-FLS
Fini acier inoxydable

1-800-PFAUCET (732-8238)

pfisterfaucets.com

Pfister soutient tous ses produits avec
la garantie à vie Pforever.



Garantie du robinet

Garantie à vie limitée contre les fuites, les écoulements, les défauts de finition à l'acheteur consommateur original.

GE Filtre de garantie Manifoldy

Garantía limitada de un año.

GE cartouche filtrante Garantie

Un mois Garantie limitée

Comuníquese con GEAppliances.com o llame al 800.952.5039 en los Estados Unidos o al 866.777.7627 en Canadá.

Inscripción del producto

Faciliter la cobertura de su garantía al registrar su producto en línea en Pfisterfaucets.com/register. Al inscribirse también podemos agilizar la asistencia técnica si la necesitara en el futuro. ¡Inscríbase para recibir consejos prácticos, conocer más sobre otros productos Pfister y participar en concursos con estupendos premios! ¡es!

MESURES DE SÉCURITÉ IMPORTANTES

AVERTISSEMENT:

- Utilisez votre système de filtration d'eau uniquement sur une conduite d'eau FROIDE potable. Les cartouches de filtration ne purifient pas l'eau ou ne la rendent pas potable.
- N'utilisez pas votre système en l'alimentant d'eau chaude (37,7 °C [100 °F]). Installez uniquement votre système sur une conduite d'eau froide.
- Chaque fois que le système de filtration d'eau GE est exposé à de l'eau de qualité inconnue, on devrait jeter les cartouches de filtre et rincer le système.

AVERTISSEMENT: Pour réduire le risque d'ingestion de contaminants, n'utilisez pas ce produit avec de l'eau insalubre ou d'une qualité douteuse sans avoir procédé à une désinfection en amont et en aval du système.

PfISTER.



YouTube

[/pfisterfaucets](https://www.pfisterfaucets.com)

Duree a vie mecanique Pfister et Garantie limitee Pfinish®

Couvre Pfinish et Pfunction aussi longtemps que vous etes proprietaire de votre maison

Une garantie limitee de 5 ans sur les composants electriques

Une garantie limitee d'un an sur les composant des filtres GE (excluant les cartouches de filtre GE)

Pfister fournit les garantie suivantes pour ses produits. Une preuve d'achat peut etre demande afin d'obtenir tout avantages indiuques ci-dessous. Application commercial determine la limite de la duree des garanties fournies ci-dessous

Garantie Limitees: Garantie Limitees. Pfister garantie qu'aussi longtemps que l'acheteur original est proprietaire de la maison dans laquelle le produit Pfister ("le produit" excluant le capteur electronique, le boitier de commande, l' unite de puissance, le collecteur de filtre GE, les cartouches de filtre GE) est originalement installe, le produit sera exempt de tout defaut de materiaux et de fabrication qui empecheraient la bonne utilisation du produit. Si le produit est installe dans une application commerciale, la garantie mecanique ci dessus sera limitee pour une periode de 10 ans a compter de la date d'achat du produit.

Pour le composant electrique incluant le capteur electronique, la boite de commande et l' unite de puissance (la batterie ou l'adaptateur de secteur.) Pfister fournit une garantie limitee de cinq ans au resident original utilisateur du produit contre les defauts de materiaux et de fabrication. Aussi longtemps que l'utilisateur original occupe les locaux dans lesquels le produit a ete installe a l'origine.

Pfister fournit une garantie limitee d'un an pour le collecteur GE filtre et une garantie limitee d'un mois pour les cartouches du filtre GE au resident original utilisateur du produit contre defaut du materiel et de fabrication, aussi longtemps que l'utilisateur original occupe les locaux dans lesquels le produit a ete installe a l'origine.

Pfister garantit contre la deterioration du produit fini aussi longtemps que l'acheteur original est proprietaire de la maison pour laquelle le produit a ete originalement installe. Si le produit est installe dans une application commerciale, la garantie de finition ci-dessus pour les produits qui ne contiennent pas la finition de Pforever doit etre limitee a une periode de 5 ans a compter de la date d'achat.

Recours Exclusif: Dans le cas ou il y aurait un defaut dans le produit qui viole les garanties ci-dessus, Pfister reparera ou remplacera la piece defectueuse du produit seulement a son gre. la reparation ou le remplacement du prduit est le recours exclusif. pour tout recours au titre de cette garantie, Pfister doit etre informe en decrivant le probleme. Afin de notifier Pfister et avoir une assistannce sous cette garantie, l'acheteur original pourra (1) appeler le 1-800-Pfaucet (1-800-732-8238) pour qu'un representant du service au consommateur puisse vous assister, ou (2) ercrire au departement du service au consommateur c/o Pfister Inc.,19701 DaVinci, Lake Forest, CA 92610, il faudra inclure la description du probleme, le numero du model, votre nom, l'adresse, le numero de telephone, et la date approximative d'achat, ou (3) envoyer un email au service a la clientele de Pfister en vous rendant a www.pfisterfaucets.com, ou (4) notifiez l'emplacement ou le distributeur d'ou le produit a ete achete. Dans tous les cas vous pouvez etre tenu de retourner le produit a Pfister pour inspection et une preuve d'achat peut etre exige.

Limitations et Exclusions: Limitations et Exclusions: Pfister NE SERA PAS RESPONSABLE POUR TOUT AUTRE DOMMAGES OU PERTES, Y COMPRIS MAIS SANS SE LIMITER AUX DOMMAGES INDIRECTS ET/OU CONSECUTIFS. INDEPENDAMMENT DE LA THEORIE JURIDIQUE AFFIRMEE, COMPRENANT TOUTE RECLAMATION OU VIOLATION DE GARANTIE CI-DESSOUS OU TOUTE AUTRE CAUSE, DECOULANT DU CONTRAT OU EN RESPONSABILITE DELICTUELLE. (comprenant la negligence et la stricte responsabilite)

Pfister a le droit d'arreter ou de modifier tout produit a tout moment. certains Etats ne permettent pas les limitations ou l'exclusion des dommages et interets, ou des dommages consequents. par consequent les limitations ci dessus ou exclusions peuvent vous etres applique. Cette garantie vous donne des droits legaux specifiques, vous pouvez aussi avoir d'autres droits qui varient selon les Etats.

La garantie ci dessus ne couvre pas les dommages causes par un entretient abusif, reparation, nettoyage ou installations, utilisation abusive, abus, alterations, accident ou accidents de causes naturelles.yor.