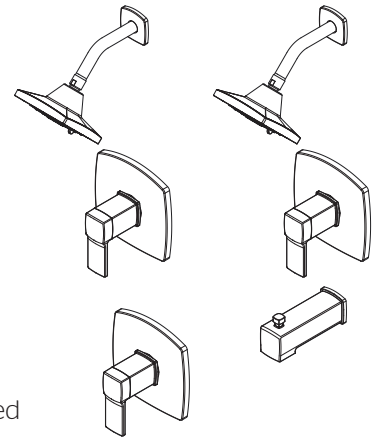


- | | | | | | |
|---|---|--|--|--|--|
| R89-1DAB Finish(B) <input type="checkbox"/> | R89-1DAC Finish(C) <input type="checkbox"/> | LG89-7DAB Finish(B) <input type="checkbox"/> | LG89-7DAC Finish(C) <input type="checkbox"/> | LG89-8DAB Finish(B) <input type="checkbox"/> | LG89-8DAC Finish(C) <input type="checkbox"/> |
| R89-1DAB Finish(B) <input type="checkbox"/> | R89-1DAK Finish(K) <input type="checkbox"/> | LG89-7DAK Finish(K) <input type="checkbox"/> | LG89-8DAK Finish(K) <input type="checkbox"/> | LG89-8DAK Finish(K) <input type="checkbox"/> | LG89-8DAK Finish(K) <input type="checkbox"/> |



Specifications

- SecurePfit™
- Trim Only, Valve Not Included

Features

- 1.8 GPM Flow Rate (Showerhead)
- 3 Function Showerhead (Penetrating Massage, Rain Spray, and Invigorating Spray)
- All Metal Construction
- SecurePfit™ with Anti Handle Wobble
- Valve Trim Only (1DA Only)
- Shower Only (7DA Only)
- Tub & Shower (8DA Only)
- Trim Only, Valve Not Included
- Requires OX8/JX8 Valve (Sold Separately)
- Pforever Warranty®

Code Compliance

- Pfister products are designed and manufactured in compliance with the following standards and codes:
- IAPMO Certified
 - CSA B125 Certified
 - ASME A112.18.1
 - CEC Compliant
 - Cal Green Compliant
 - ADA Compliant-ANSI A117.1 (Lever handles only)
 - EPA WaterSense Certification 1.8 gpm, 6.8 L/Min



Dimensions

