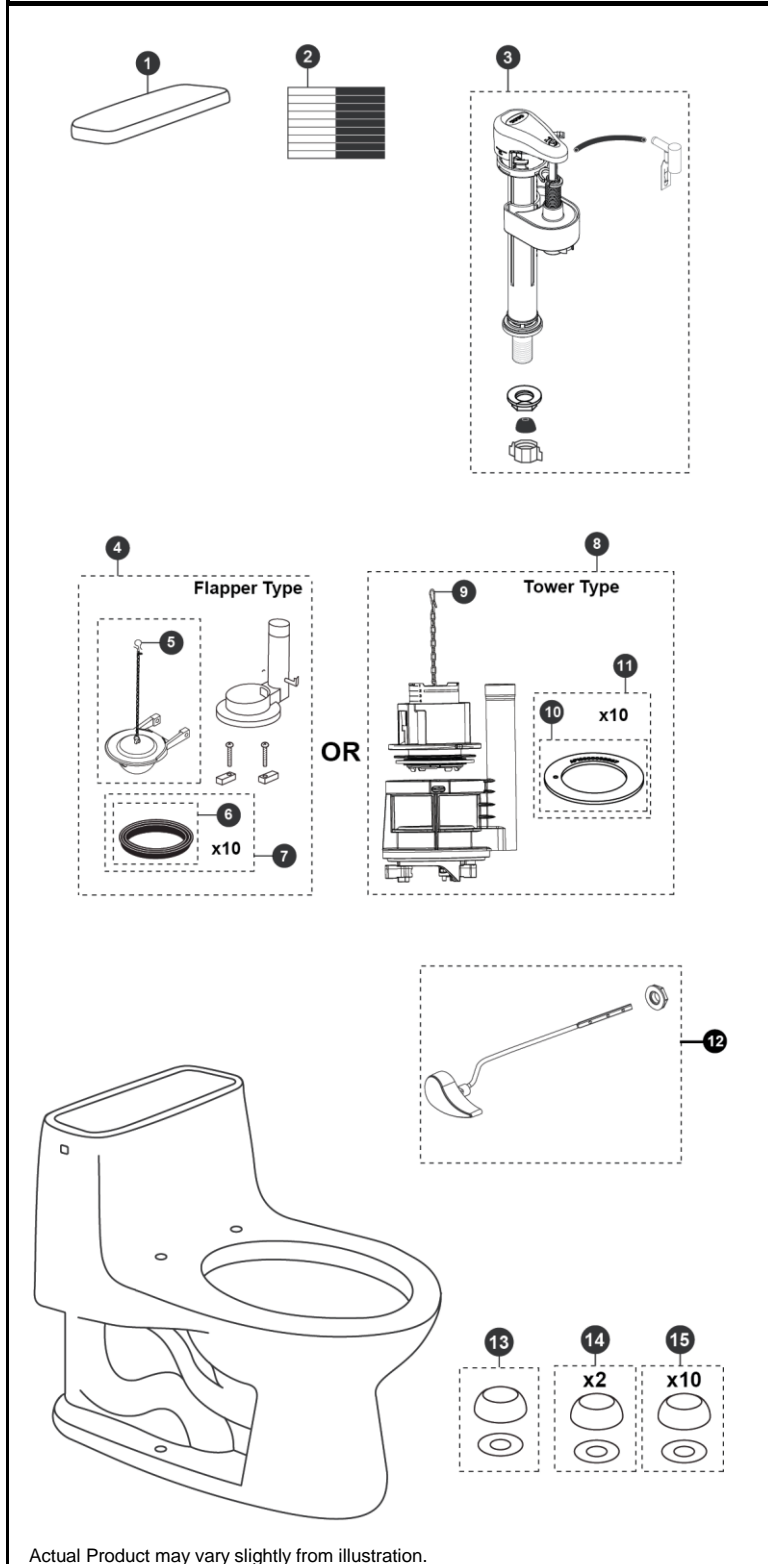


## Ultramax® 1.6 Gpf Toilet, Elongated, G-Max®, ADA, 12" Rough-In



Item	Part	Description
1	TCU854CRS#01	Tank Lid w/ Velcro Tape - Cotton
	TCU854CRS#03	Tank Lid w/ Velcro Tape - Bone
	TCU854CRS#11	Tank Lid w/ Velcro Tape - Colonial White
	TCU854CRS#12	Tank Lid w/ Velcro Tape - Sedona Beige
2	THU107	Velcro Tape
3	TSU51A	Fill Valve
4	THU013P	Flush Valve Assembly w/ Flapper
5	THU500S	Flapper w/ Chain
6	9BU002E	Flush Valve Gasket
7	THU097	Flush Valve Gasket (10 pieces)
8	THU451.10A-A	Drain Valve
9	THU440-A	Flush Tower
10	THU407	Seal Gasket (1 piece)
11	THU370	Seal Gasket (10 piece)
12	THU004#01	Trip Lever - Cotton
	THU004#03	Trip Lever - Bone
	THU004#11	Trip Lever - Colonial White
	THU004#12	Trip Lever - Sedona Beige
	THU004#51	Trip Lever - Ebony
	THU004#CP	Trip Lever - Chrome Plated
13	THU044#01	Bolt Cap Set - Cotton (1 set)
	THU044#03	Bolt Cap Set - Bone (1 set)
	THU044#11	Bolt Cap Set - Colonial White (1 set)
	THU044#12	Bolt Cap - Sedona Beige
	THU044#51	Bolt Cap - Ebony
14	THU044S#01	Bolt Cap Set - Cotton (2 pieces)
	THU044S#03	Bolt Cap Set - Bone (2 pieces)
	THU044S#11	Bolt Cap Set - Colonial White (2 pieces)
	THU044S#12	Bolt Cap Set - Sedona Beige (2 pieces)
	THU044S#51	Bolt Cap Set - Ebony (2 pieces)
15	THU098#01	Bolt Cap & Base (20 pieces) - Cotton
	THU098#03	Bolt Cap & Base (20 pieces) - Bone
	THU098#11	Bolt Cap & Base (20 pieces) - Colonial White
	THU098#12	Bolt Cap & Base (20 pieces) - Sedona Beige
	THU098#51	Bolt Cap & Base (20 pieces) - Ebony

**Note:**

### Product Number Explanations

#### One-Piece Toilet

(MS) Toilet & Seat Combination  
(CST) Gravity Type Toilet  
(854) Toilet Model  
(114) Seat Model  
(S) G-Max®  
(L) ADA Compliant  
(T) Drain Valve Tower