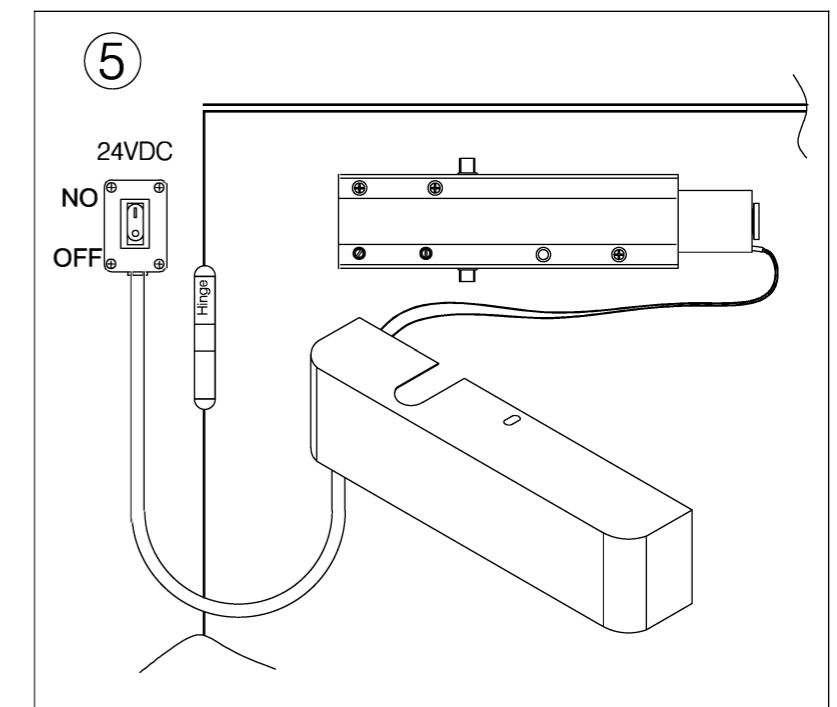
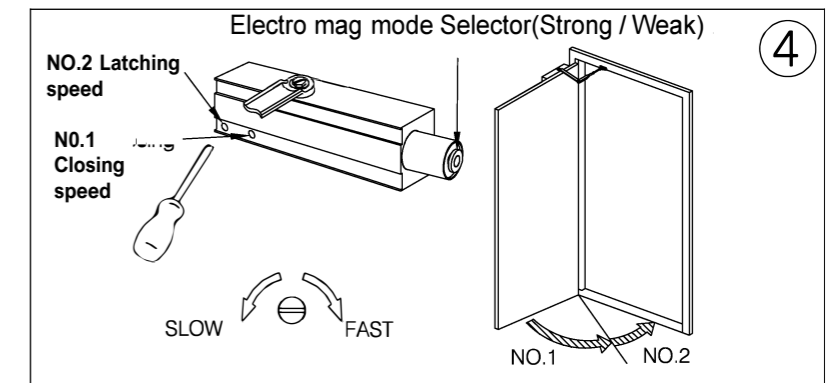
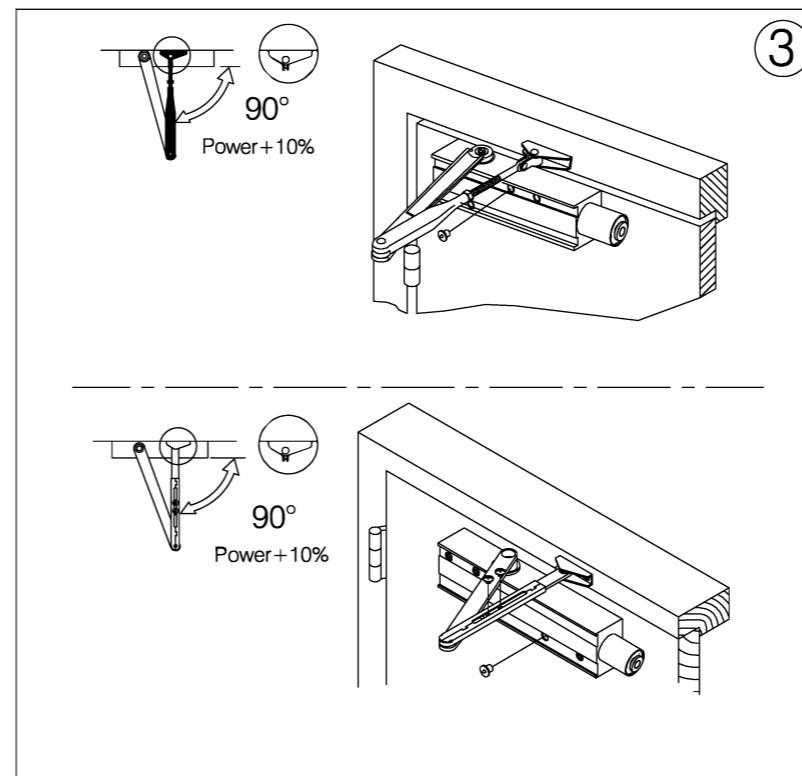
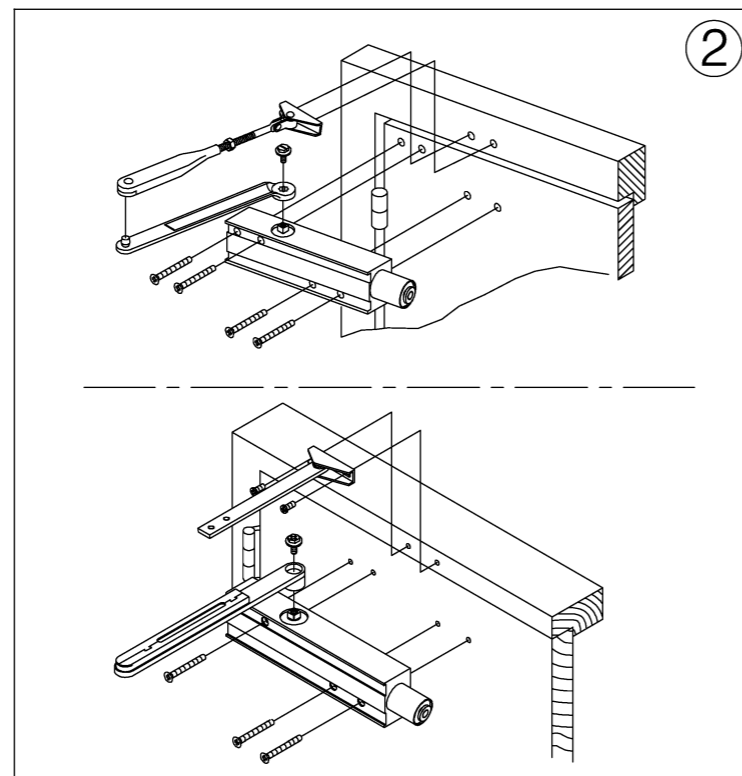
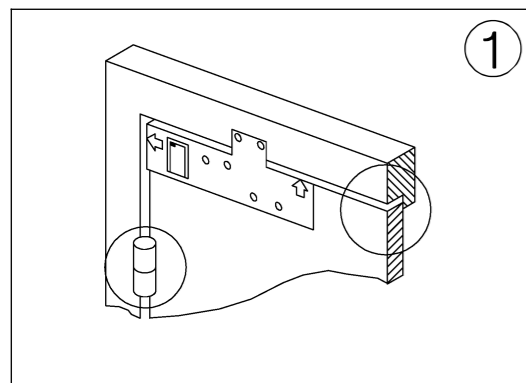
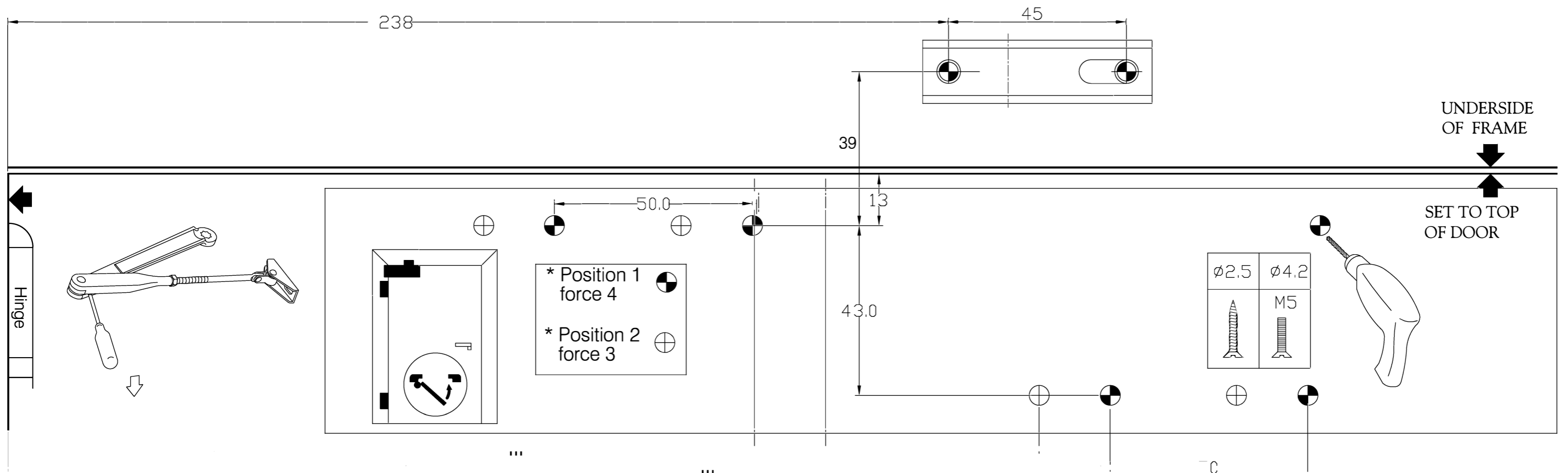


After switching on the 24 Volt DC supply, open the door to the required angle (70° -170°) for a couple of seconds to allow the magnet to engage

The door will remain at that opening angle until such time that the electric supply is interrupted. Once the electrical supply is disengaged, the door will close under the control of the door closer.



After switching on the 24 Volt DC supply, open the door to the required angle (70° -170°) for a couple of seconds to allow the magnet to engage

The door will remain at that opening angle until such time that the electric supply is interrupted. Once the electrical supply is disengaged, the door will close under the control of the door closer.



QS760  
fitting instructions