

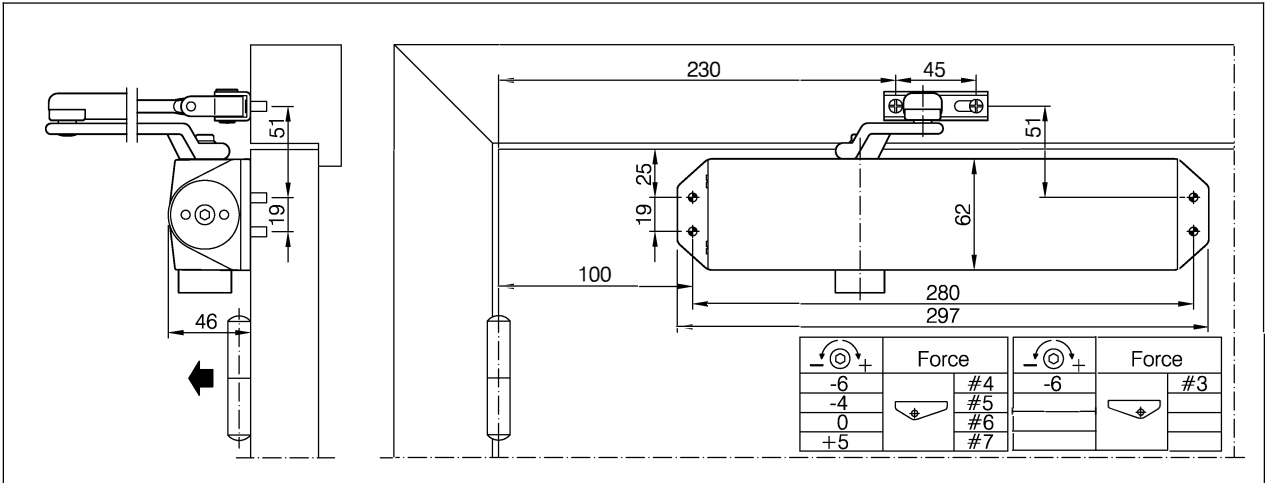
QS690v

fitting instructions



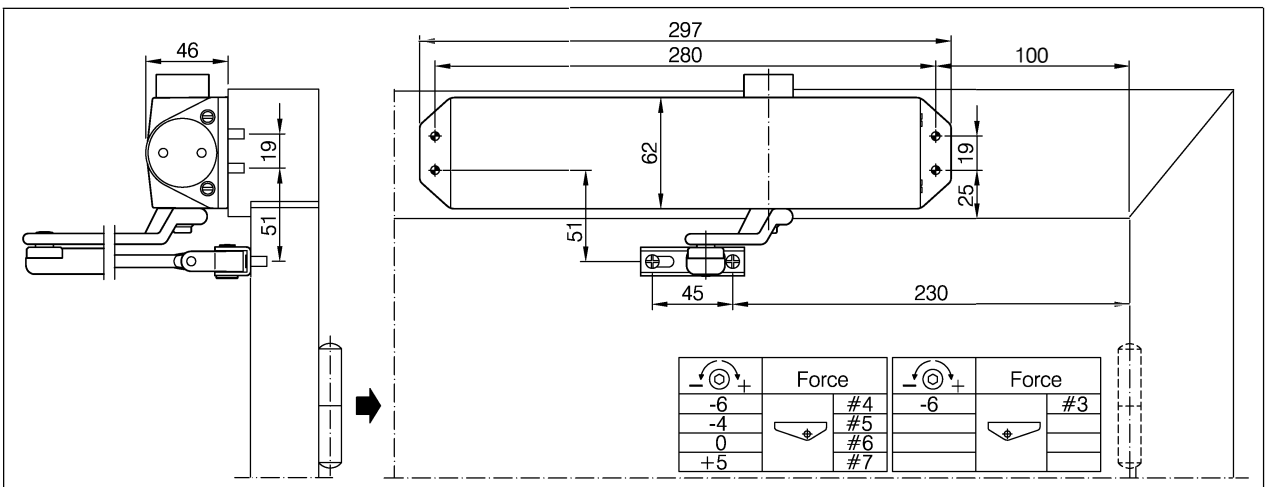
Door leaf fixing, pull side

(Example refers to left-hand [ISO 6] door; mirror image applies to right-hand [ISO 5] door)



Transom fixing (overhead frame installation)

(Example refers to left-hand [ISO 6] door; mirror image applies to right-hand [ISO 5] door)



Parallel-arm fixing

(Example refers to left-hand [ISO 6] door : mirror image applies to right-hand [ISO 5] door), Parallel-arm bracket required)

