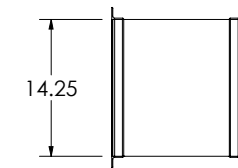
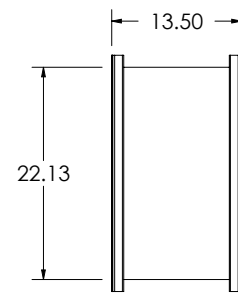
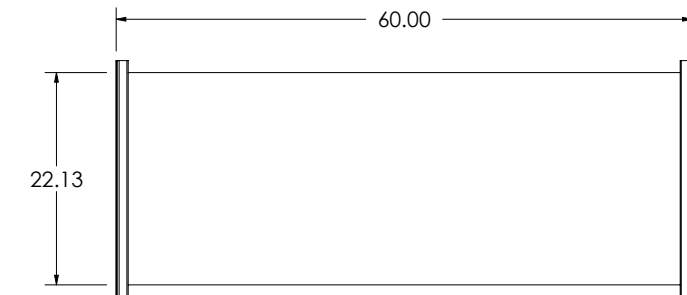


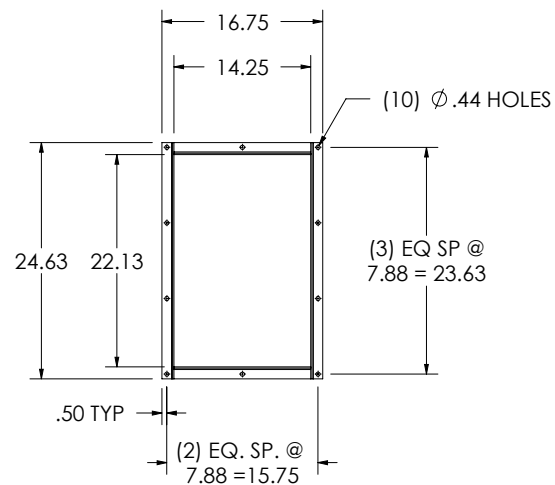
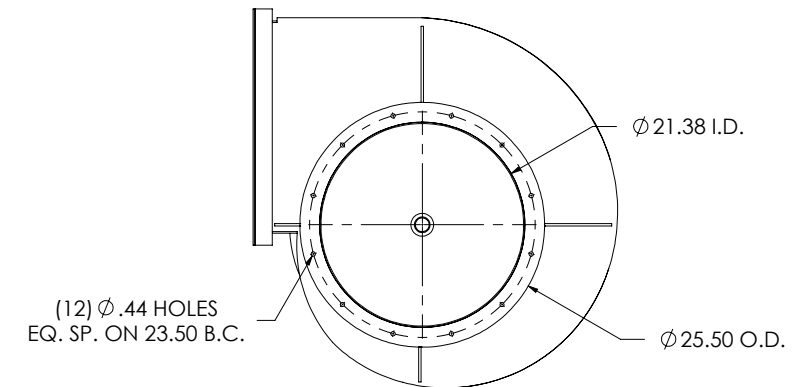
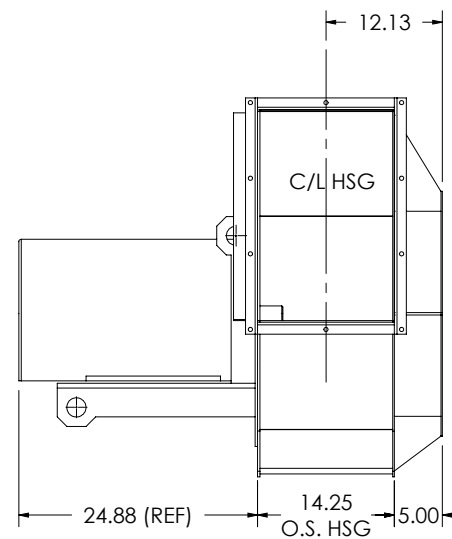
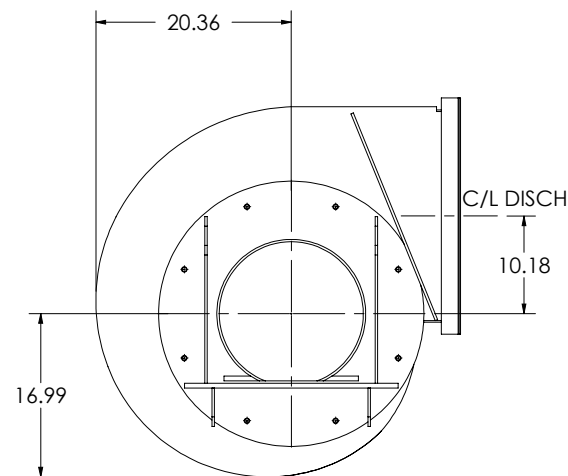
BUILT-IN DAMPER



DETACHED OUTLET DAMPER



OUTLET SILENCER



FLANGE DETAIL

NOTES:
1. "CW" ROTATION SHOWN. "CCW" ROTATION SIMILAR BUT OPPOSITE.

THE INFORMATION SHOWN ON THIS DRAWING IS THE EXCLUSIVE PROPERTY OF AIRMAX. IT IS NOT TO BE USED FOR ANY PURPOSE OR ITS CONTENTS DISCLOSED WITHOUT OUR WRITTEN CONSENT.

TOLERANCES UNLESS OTHERWISE SPECIFIED	DRAWN BY JX
DECIMALS: .X ± .05 .XX ± .010 .XXX ± .005	DATE 7/25/13
FRACTIONS: ± 1/64	CHKD BY JX
ANGULAR: ± 1 DEG	DATE 7/25/13
ALL DIMENSIONS IN INCHES UNLESS OTHERWISE SPECIFIED	SHOP NO.
	SCALE 1:20

REV	ECN	DATE	BY	CHK	DESCRIPTION
-	-	-	-	-	-
TITLE TCF 30 TCBI /AMX730 FAN W/ ACCESSORIES					
DRAWING NO. BC 500055				SHEET 1 OF 1	ITEM - REV. -