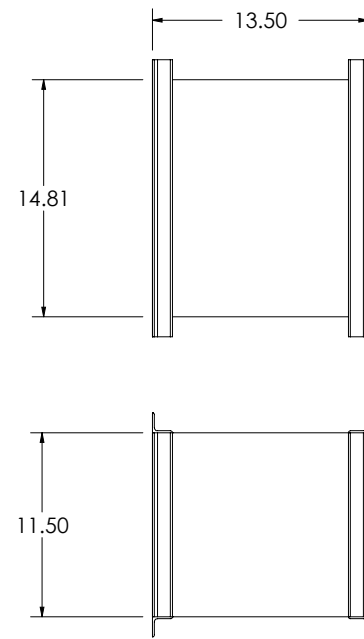
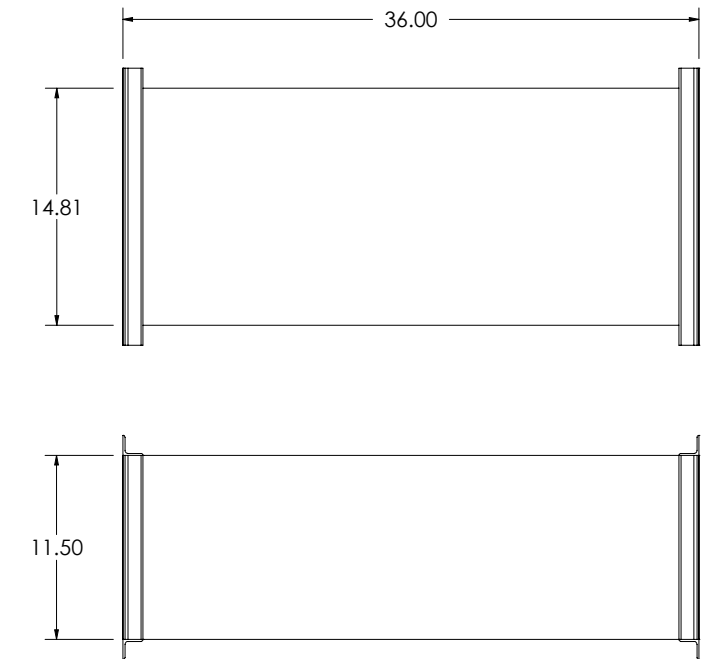


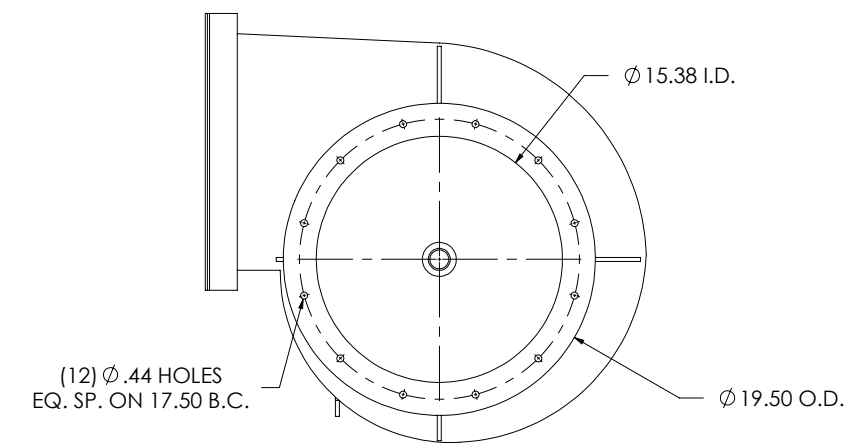
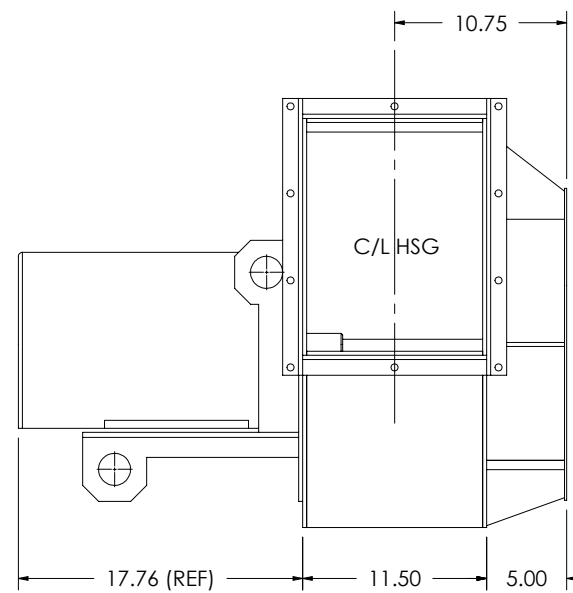
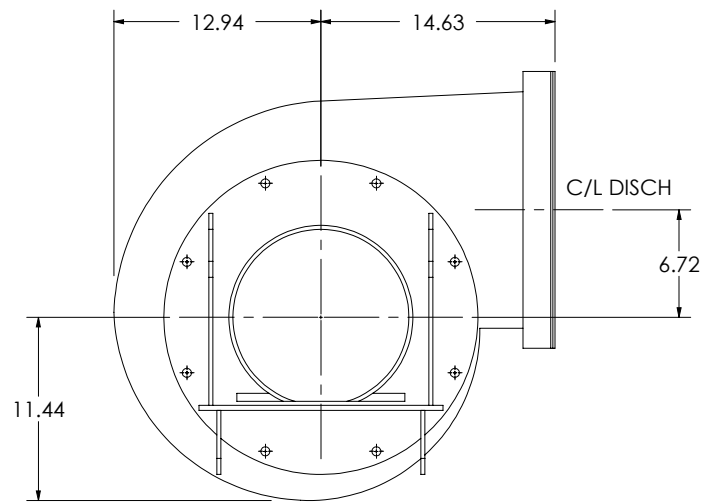
BUILT-IN DAMPER



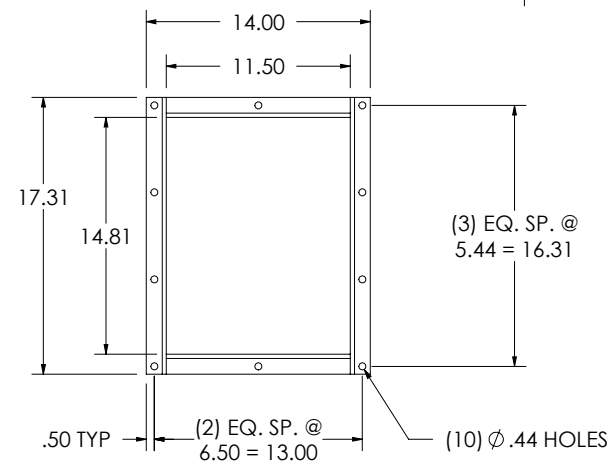
DETACHED OUTLET DAMPER



OUTLET SILENCER



THE INFORMATION SHOWN ON THIS DRAWING IS THE EXCLUSIVE PROPERTY OF AIRMAX. IT IS NOT TO BE USED FOR ANY PURPOSE OR ITS CONTENTS DISCLOSED WITHOUT OUR WRITTEN CONSENT.



FLANGE DETAIL

NOTES:
1. "CW" ROTATION SHOWN. "CCW" ROTATION SIMILAR BUT OPPOSITE.

TOLERANCES UNLESS OTHERWISE SPECIFIED
DECIMALS: .X ± .05
.XX ± .010
.XXX ± .005
FRACTIONS: ± 1/64
ANGULAR: ± 1 DEG
ALL DIMENSIONS IN INCHES UNLESS OTHERWISE SPECIFIED

DRAWN BY: JX
DATE: 9/25/13
CHKD BY: JX
DATE: 9/25/13
SHOP NO.: -
SCALE: 1:12

REV	ECN	DATE	BY	CHK	DESCRIPTION
A	-	10/30/13	JX	-	REVISED FLANGE HOLE PATTERN ADD NOTE



TITLE		DRAWING NO.		SHEET	ITEM	REV.
TCF 10 TCBI /AMX710 FAN W/ ACCESSORIES		BC 500051		1 OF 1	-	A