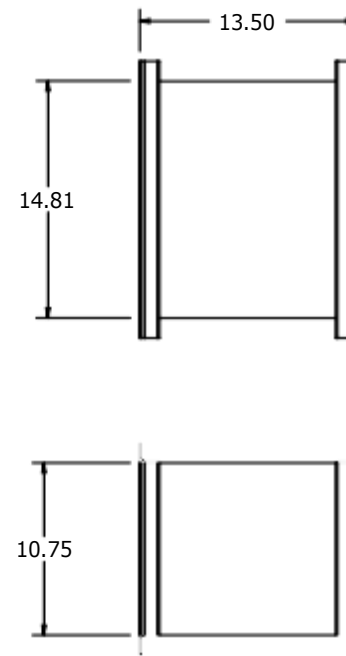
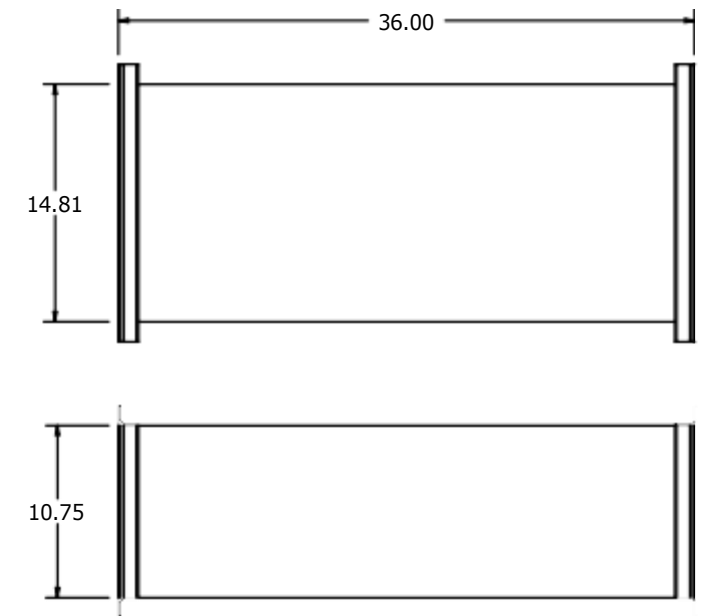


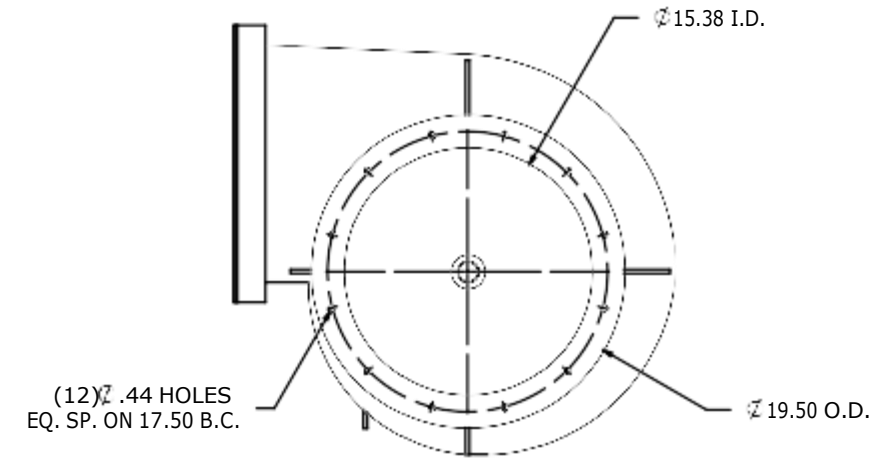
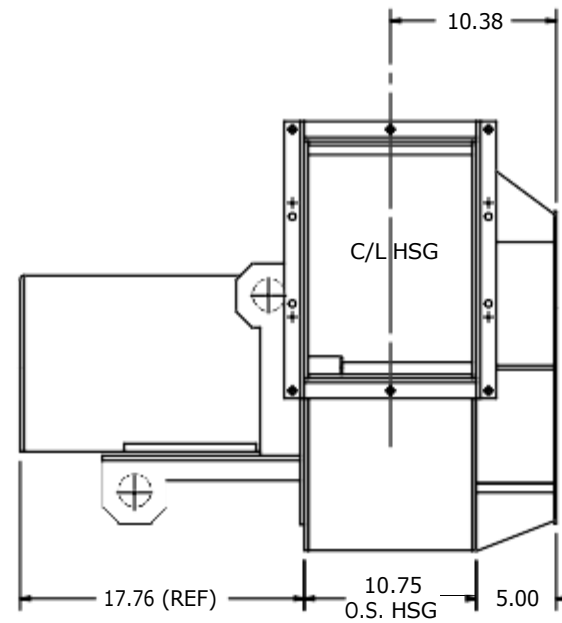
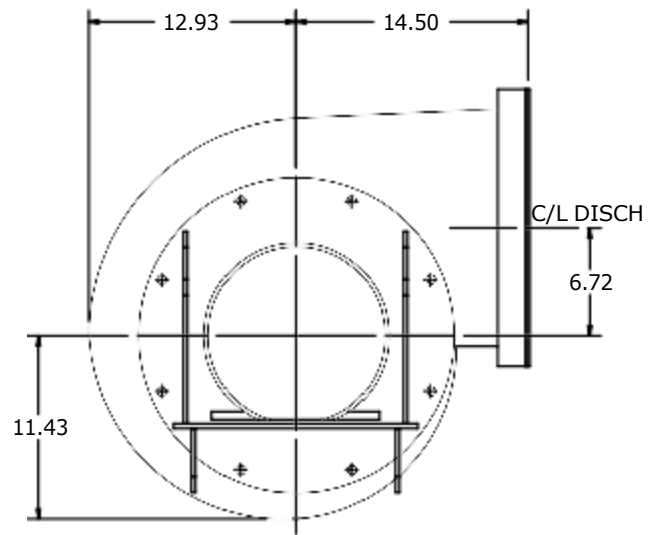
BUILT-IN DAMPER



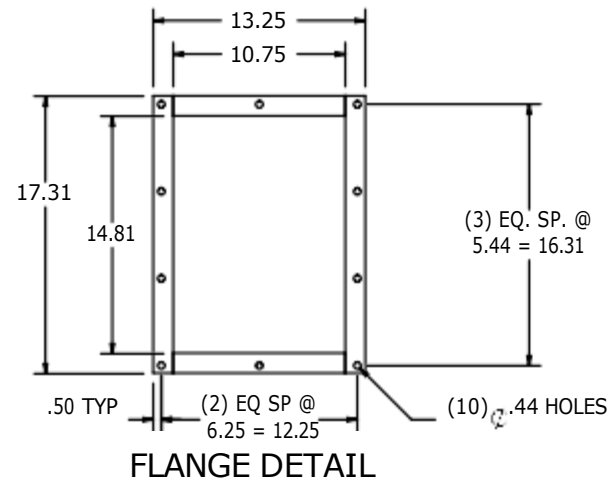
DETACHED OUTLET DAMPER



OUTLET SILENCER



THE INFORMATION SHOWN ON THIS DRAWING IS THE EXCLUSIVE PROPERTY OF AIRMAX. IT IS NOT TO BE USED FOR ANY PURPOSE OR ITS CONTENTS DISCLOSED WITHOUT OUR WRITTEN CONSENT.



FLANGE DETAIL

- NOTES:
 1. "CW" ROTATION SHOWN. "CCW" ROTATION SIMILAR BUT OPPOSITE.

TOLERANCES UNLESS OTHERWISE SPECIFIED
 DECIMALS: .XX ± .010
 .XXX ± .005
 FRACTIONS: 1/64
 ANGULAR: 1 DEG

DRAWN BY: JX
 DATE: 7/24/13
 CHKD BY: JX
 DATE: 7/24/13
 SHOP NO.: -
 SCALE: 1:12

REV	ECN	DATE	BY	CHK	DESCRIPTION
A	-	10/30/13	JX	-	REVISED FLANGE HOLE PATTERN



TITLE
 TCF 7.5 TCBI /AMX707
 FAN W/ ACCESSORIES

DRAWING NO.	SHEET	ITEM	REV.
BC 500050	1 OF 1	-	A