
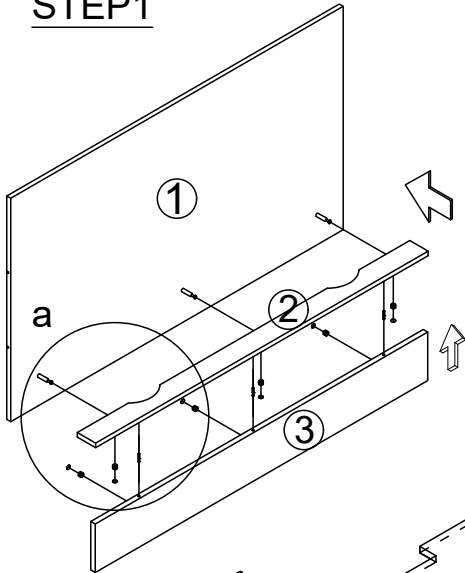


Assembly Instructions

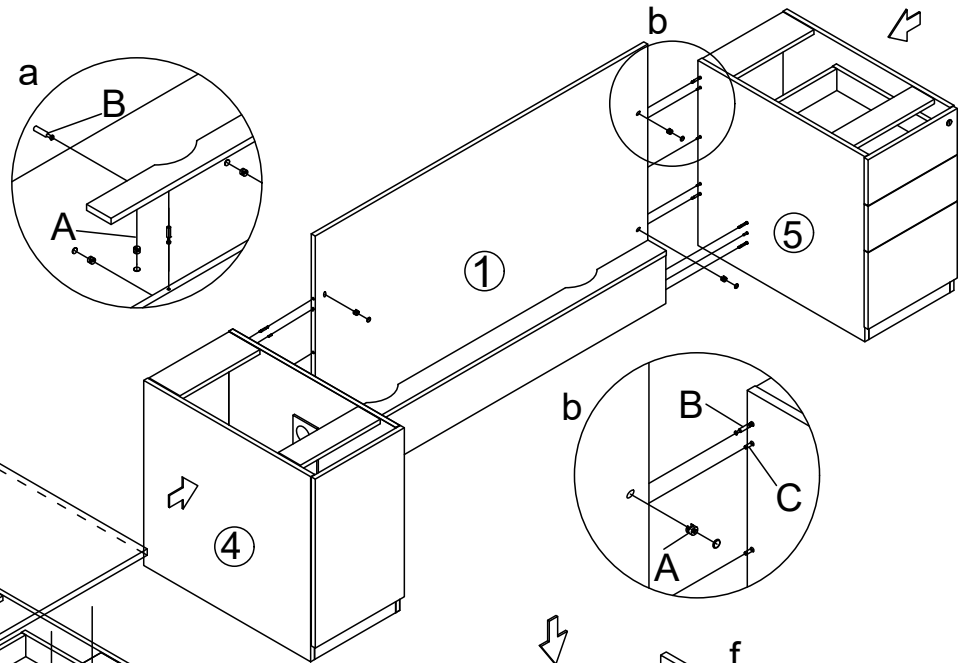
MODEL NO.: RC3 RECEPTION DESK

A  54Set	B  54Pcs	C  44Pcs	D  2Pcs	E  Ø80 2Pcs	F  Ø4*30 18Pcs	G  Ø6*12 10Pcs	H  6 Set	I  Ø6*35 6Pcs
---	--	--	---	--	---	---	--	--

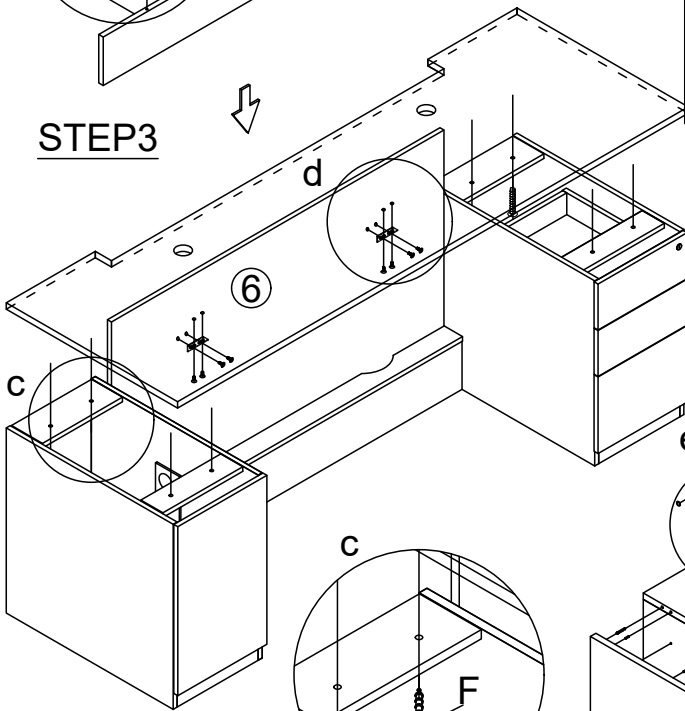
STEP1



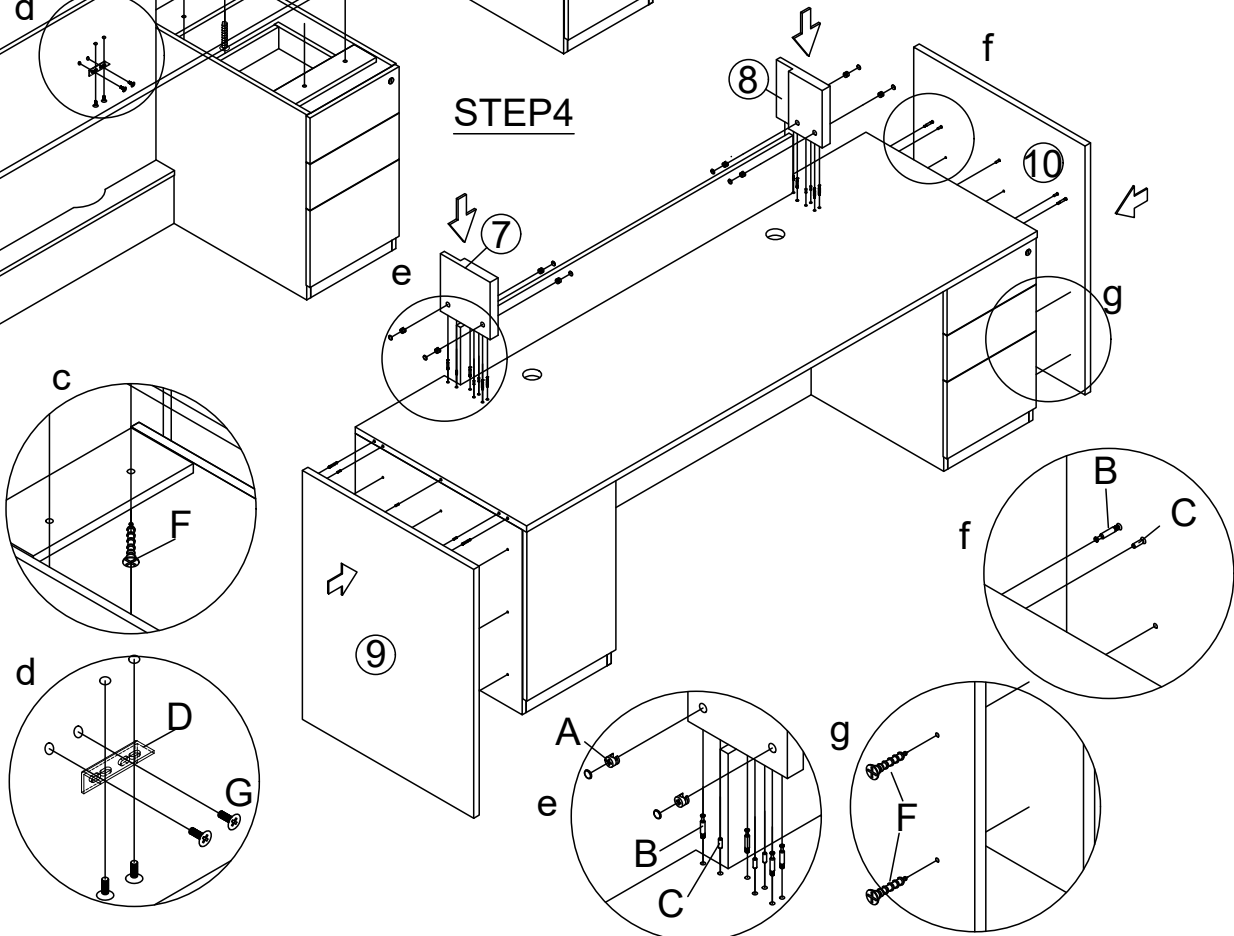
STEP2



STEP3



STEP4



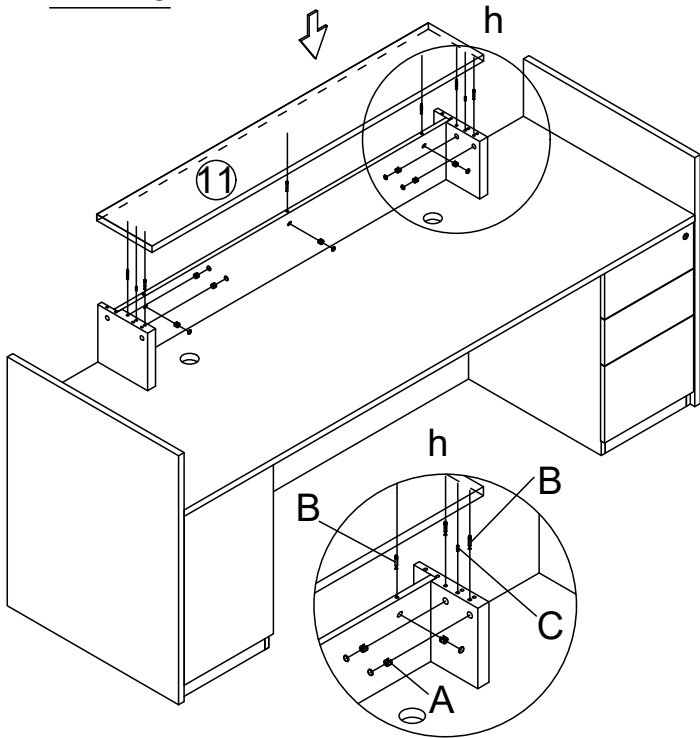
IMPORTANT NOTE:

- Place all parts on a clean and smooth surface such as a rug or carpet to avoid the parts from being scratched.
- Check to be sure that you have all parts and hardware.
- Remove all wrapping materials, including staples & packing straps before you start to assemble.
- Don't tighten all screws/bolts until all completely assembled.
- Keep all hardware parts out of reach of children

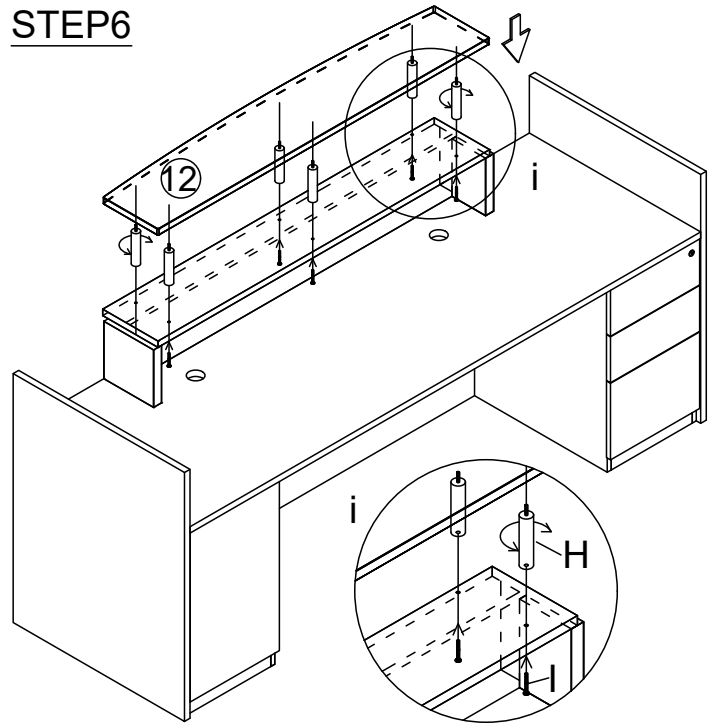
Assembly Instructions

MODEL NO.: RC3 RECEPTION DESK

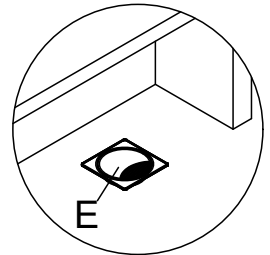
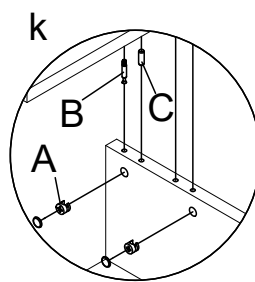
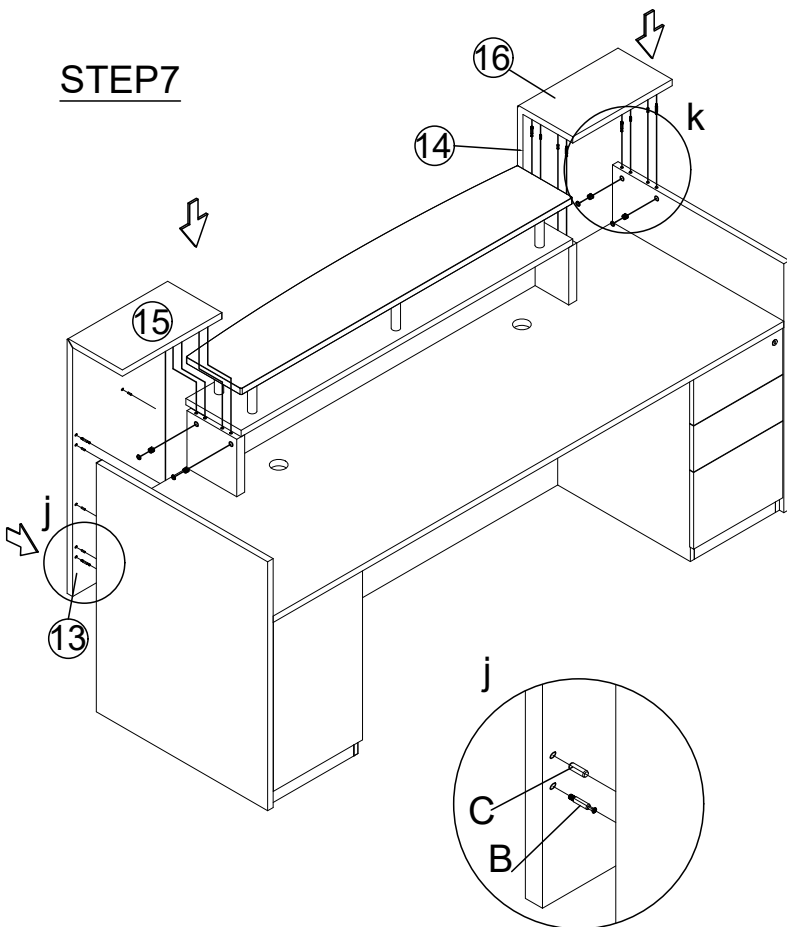
STEP 5



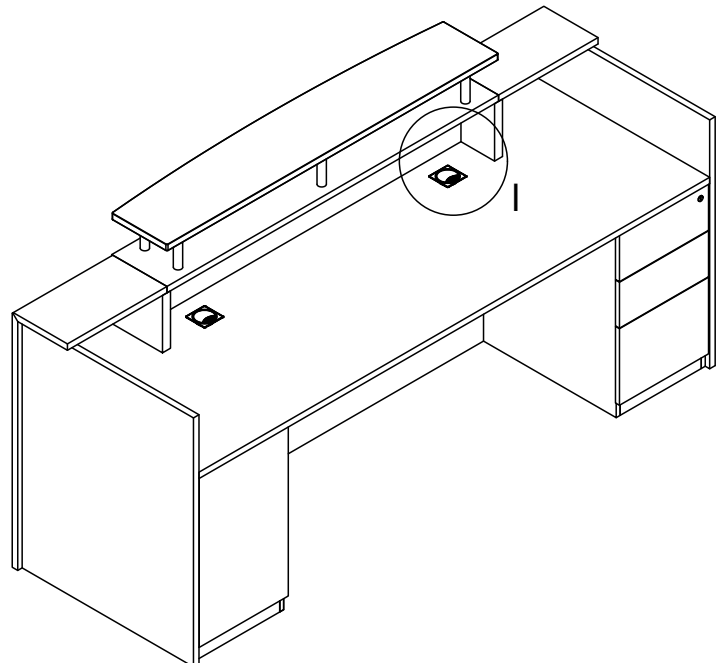
STEP 6



STEP 7



COMPLETED ASSEMBLY



IMPORTANT NOTE:

- Place all parts on a clean and smooth surface such as a rug or carpet to avoid the parts from being scratched.
- Check to be sure that you have all parts and hardware.
- Remove all wrapping materials, including staples & packing straps before you start to assemble.
- Don't tighten all screws/bolts until all completely assembled.
- Keep all hardware parts out of reach of children