

APEX^{1R}

Reliable turnkey solutions for applications requiring value, performance, accuracy, and versatility.



MULTICAM
Complete CNC Solutions

MAXIMUM FLEXIBILITY, MADE AFFORDABLE

APEX1R

MultiCam heard the industry challenge and has built the first fully capable, turn-key CNC solution at an affordable price! This rigid and reliable servo driven machine has four spindle options and either a single or dual tangential knife option. Both the spindle and knife are perfectly suited to cut a multitude of materials with unsurpassed performance and cut quality.

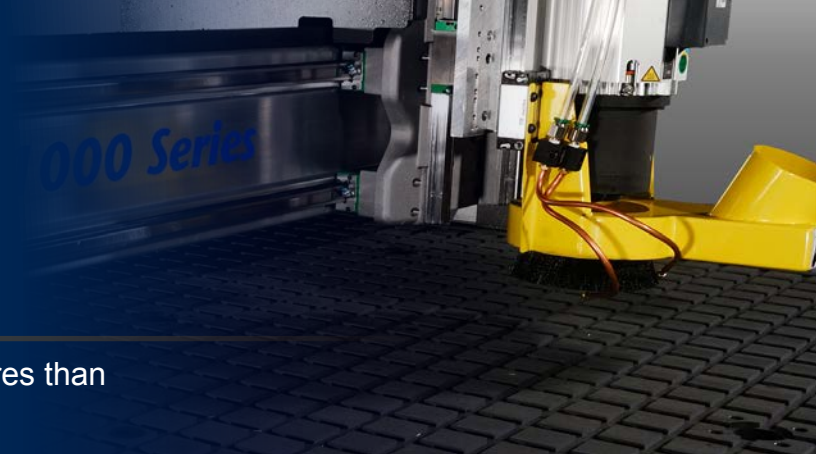


FEATURES & SPECIFICATION GUIDE

PERFORMANCE / EASE OF USE / OPTIONS

PERFORMANCE

No machine in its class offers more standard features than the innovative and versatile AEPX1R CNC Router.



Base Frame **Solid, Heavy-Duty Construction**

A solid-steel frame design is standard on the APEX1R. It provides a heavy and accurate platform that translates into gentle motion for clean, smooth cuts.



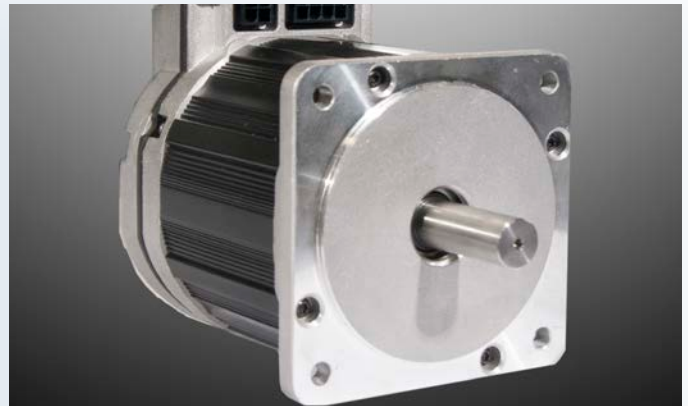
Helical Rack **Smooth Motion, Minimal Friction**

Helical racks are standard on the APEX1R and provide smooth and accurate motion as the gantry moves through all axes.



Gantry **Custom Engineered for Maximum Rigidity**

MultiCam engineered the gantry from 3/8" thick steel tube that is welded, stress-relieved and precision machined for maximum stiffness allowing users to cut at higher speeds for optimum edge quality.



Servo Drive System **Smooth & Accurate**

The APEX1R, comes standard with a Robust Drive Motor system with Servo Drives to allow for powerful yet fluid motion.

PERFORMANCE

No machine offers more features than the innovative and versatile APEX1R CNC Router.



Router Spindle

Multiple Spindle Options Up to 10HP

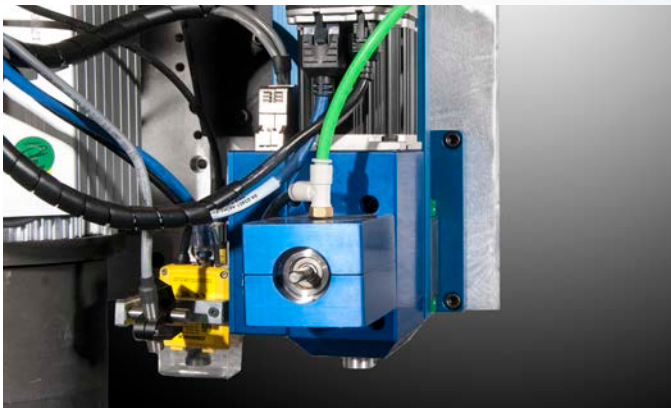
The APEX1R comes equipped with a high-frequency spindle for optimal durability when cutting thin or dense materials.



Linear ATC

Automatic Tool Changer

The Apex1R offers a low cost alternative to automatic tool changing. It features a linear rack holder mounted at the end of the material process area.



Tangential Knife

Enhanced Cutting Capabilities

The programmable tangential knife expands the capabilities of the APEX1R by allowing a wide range of materials to be cut with an oscillating or non-oscillating knife option.



4 Zone Vacuum Work Surface

Manual or Pneumatic Valves

Optimize vacuum hold down using 4 zones to your standard work surface of 1" thick 80-82 Durometer phenolic grided top. User friendly pneumatic valves enhances operator workflow by saving time.

EASE OF USE

MultiCam's APEX1R makes it easy for you to get the most out of your machine.



EZ Control Powerful, Intuitive Control

MultiCam's EZ Control provides all users, from novice to advanced, with the most powerful and easy-to-use control system available on today's market. New operators can be productive in as little as an hour!



Coreo Software Workflow Management

The Apex1R comes with Coreo machine interface software. Upgradeable to an easy CAD/CAM suite designed to efficiently streamline work flow.



OPTIONS



MultiVision Dynamic Digital Registration

MultiVision provides additional flexibility by visually recognizing media registration marks and automatically compensating for skew and image drift.



Laser Pointer Decrease Job Set-Up Times

Quickly and accurately identify reference points on the material to minimize job set-up time.

- **Mister**
- **Barcode Scanner**
- **Multiple Quick Change Knife Holders**
- **Dust Collection System**

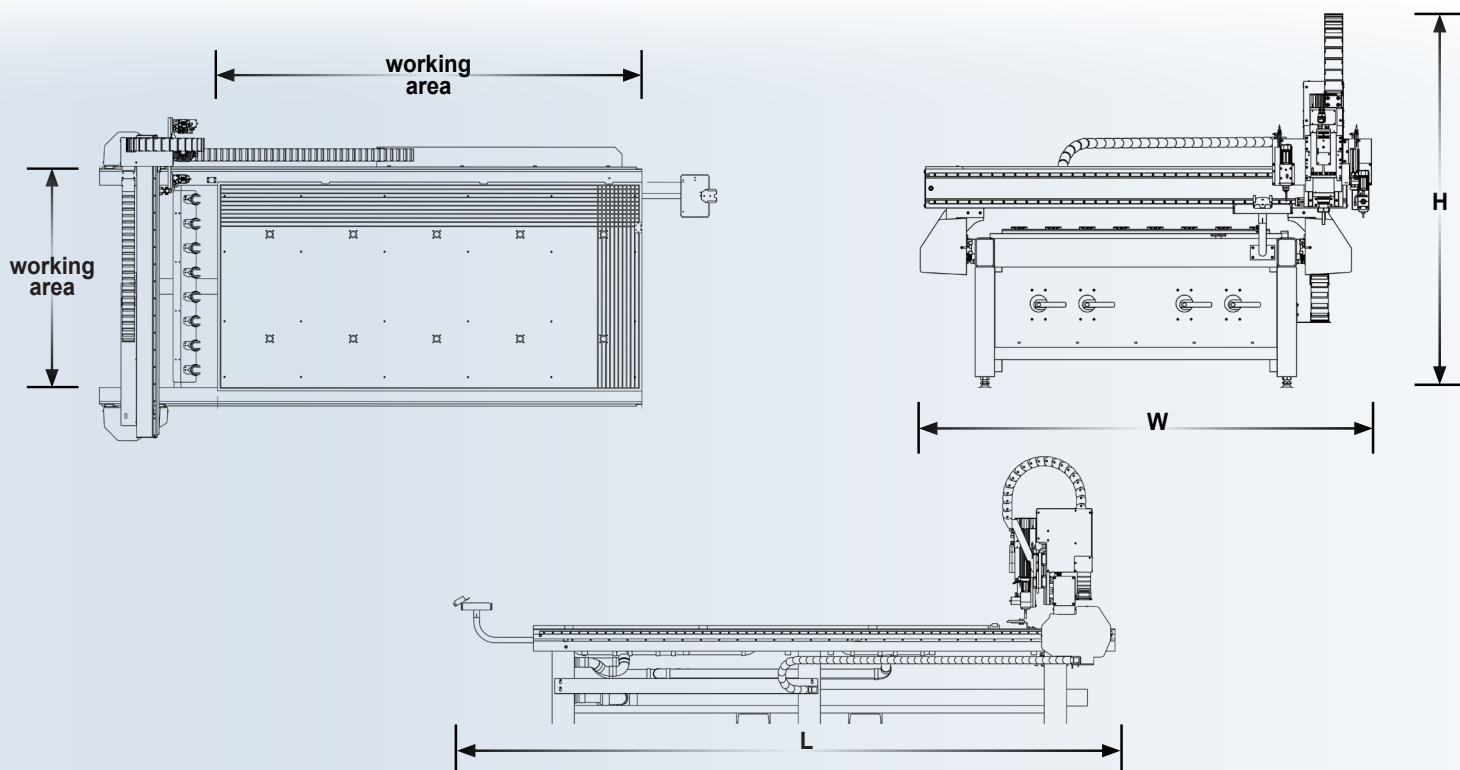
SPECIFICATIONS:

Model	Length	Width	Height	Working Area	Weight
103	151in/3835mm	81in/2057mm	78in/1981mm	48inX96in 1219mmX2438mm	1700lbs 771kgs
204	177.5in/4508mm	93in/2362mm	78in/1981mm	60inX120in 1524mmX3048mm	2200lbs 997kgs
304	177.5in/4508mm	80in/2032mm	78in/1981mm	83inX121in 2108mmX3073mm	2600lbs 1179kgs



SPECIFICATIONS

Z-Axis Clearance	7"
Z-Axis Travel:	7"
Max Material Thickness	3"
Slew (Diagonal)	1,839 IPM
Feed (Linear)	1,300 IPM
Drive System (X&Y Axes)	Helical Rack & Pinion
Drive System (Z Axis)	Ball Screw
Standard Work Surface	1" Phenolic 4 Zone





MULTICAM
Complete CNC Solutions

1025 West Royal Lane
DFW Airport, TX 75261



By phone:
+1 972.929.4070
Hotline:
855.894.3136



By email:
sales@multicam.com



Or online at:
www.multicam.com